



GENESIS

FORGING THE FUTURE

FUEL SOLUTIONS

FORGING THE FUTURE

BY ACTING TODAY ON A UNIQUE RECIPE OF VISION, CREATIVITY, ANALYSIS AND ENGINEERING:

ENGINEERED EFFECTIVENESS AT THE SERVICE OF EFFICIENCY

IS THE MANTRA BY WHICH GENESIS WORKS IN ITS DEDICATION TO PROVIDE EFFECTIVELY ENGINEERED

SOLUTIONS THAT SAFEGUARD OPERATIONS AND OPERATORS ALIKE,

WHEREVER FUEL DRIVEN HEAVY VEHICLES AND WORK MACHINERY ARE INVOLVED.

GENESIS
FORGING THE FUTURE



Over the last 10 years GENESIS has accumulated a deep and varied experience of this sector, of the numerous variables which road transport operations and heavy equipment operators face in their day to day ambition to be competitive and effective, hence to SUCCEED.

Such experience is expressed in single products or combined solutions: GENESIS sets the benchmark where fuel proves just too precious to be left to chance.

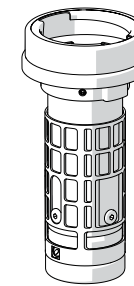
Aware of the increased competitiveness of the overall context of transportation sectors spanning logistics, waste management, civil engineering, public transport and agriculture, GENESIS melds simplicity with effectiveness into sustainable solutions, voted to protect and manage fuel by concentrating all value where it truly makes a difference.

Our keen understanding of real world issues which lie both at the front end of R&D, in the technologies we can rely on for better products, and in later bringing the result of our efforts to the market, has revealed a unique opportunity: to generate hardware dedicated to managing fuel, preventing theft and increasing overall efficiency.

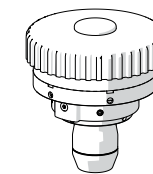
THIS IS NOW THE REALM IN WHICH GENESIS OPERATES,
A REALM IN WHICH FEW OTHERS CAN CHALLENGE THE STANDARDS
WHICH HAVE NOW BEEN ESTABLISHED.

GENESIS
FORGING THE FUTURE

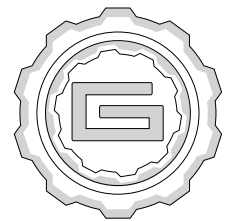
INDEX



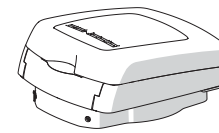
KOCKÒN CLASSIC
pages 4-5



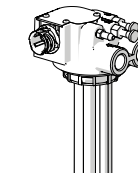
KOCKÒN MACH II
pages 6-10



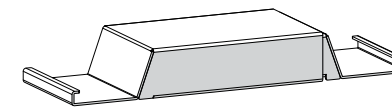
TELEMATIC CONVERGENCE
page 13



ZIPPER
pages 14-15



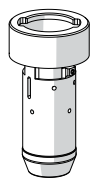
FUEL CONTROLLER
pages 16-19



SENSARMOUR
pages 20



STROPOL
page 21



KOCKÒN VX SERIES
page 22



This catalogue provides the descriptions and features of all GENESIS products. Features and specifications which are subject to change without notice.

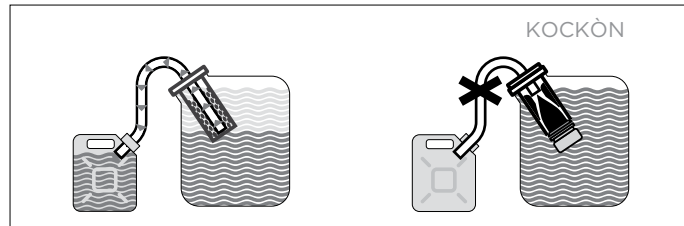
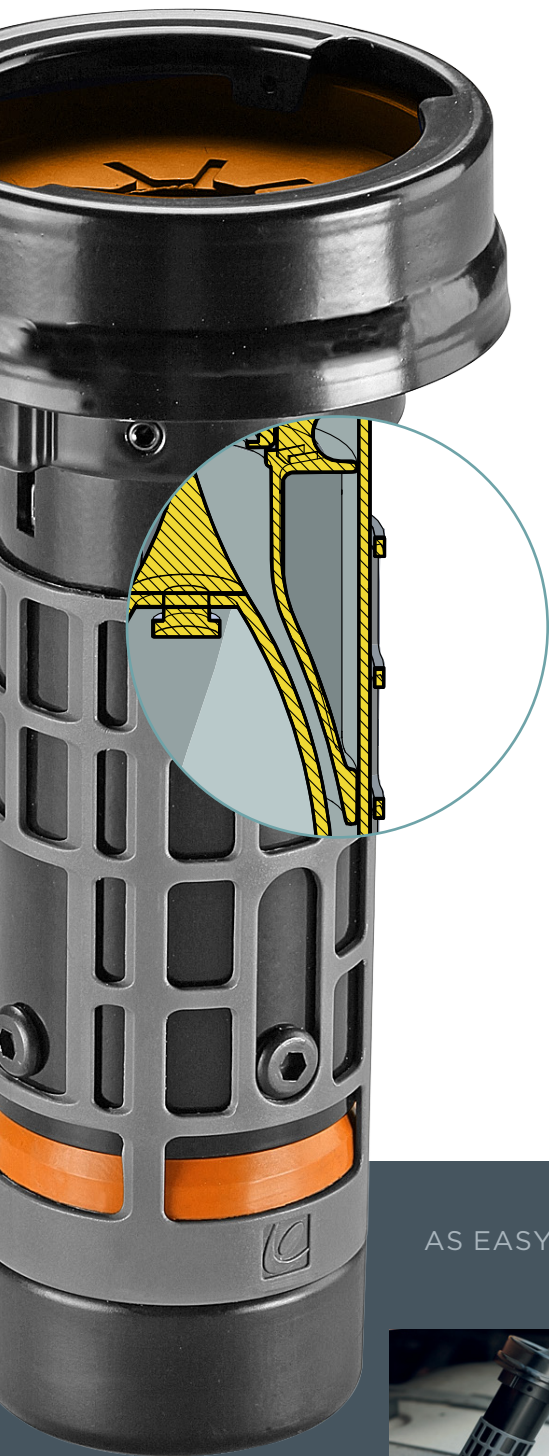
In the rear pocket, specific loose leaf tables describing individual models and variants are available for more comprehensive specifications and characteristics of single models which may not be included in the pages of this catalogue.
All the latest technical specifications sheets are available at www.lagogenesis.it

KOCKÒN

FUEL ANTI-THEFT DEVICE

THE ONLY OPTION WHEN FUEL IS PRECIOUS: 24/7 PROTECTION

In 2008 we launched KOCKÒN internationally. What is possibly still today the most effective family of devices in the Anti-siphon device category of products, KOCKÒN has established a new standard in preventing the theft of diesel from industrial and commercial vehicles.



UNPARALLELED PROTECTION

KOCKÒN has NO holes or slots, it's impossible to insert flexible pipes or tubes to syphon the content of the tank.

PROGRESSIVE FLOAT LOCK

The progressive float lock prevents any access to the fuel located in the upper part of the tank without interfering with refueling operations.

QUICK REFUELLING

Due to the specially designed internal geometry, fuel flows free without turbulence, splash-back or overflow.

EASY INSTALLATION

KOCKÒN is installed in seconds thanks to the proprietary bayonet and thread systems, no mechanical modifications are required to the tank or tank neck, no screws needed, no rivets, no glue or sealants.

AS EASY AS

1

2

3



KEEPING FUEL SAFE SINCE 2008



KOCKÒN 105 *Classic*
58 03 20 045 KOCKÒN 105 CLASSIC

RECOMMENDED APPLICATIONS
For tanks with 2-point bayonet opening Ø 105 mm

DAF, MAN, VOLVO, MERCEDES all models
IVECO Stralis, EuroStar, EuroTec, Trakker, EuroTrakker EURO CARGO with metal fuel tanks
RENAULT Premium, Magnum, Midlum with metal fuel tanks.

ACCEPTS MOST ORIGINAL FUEL CAPS

TECHNICAL SPECIFICATIONS

- 120l/min
- Ø 32 mm
- Steel
- 110x110x220 mm
- 2100 g
- 70 mm
- 195 mm
- 100 mm



KOCKÒN 80 *Classic*
58 16 20 020 KOCKÒN 80 CLASSIC

RECOMMENDED APPLICATIONS
For tanks with inner threaded opening Ø 80 mm

SCANIA: all models

ACCEPTS MOST ORIGINAL FUEL CAPS

TECHNICAL SPECIFICATIONS

- 120l/min
- Ø 32 mm
- Steel
- 85x85x241 mm
- 1620 g
- 60 mm
- 200 mm
- 85 mm



WHEN AN EFFECTIVE TECHNOLOGY BECOMES A SYSTEM

Almost 10 years after KOCKÒN started gaining valuable feedback from its loyal base of users, the need to manage fuel underwent a substantial evolution, generating demand for additional functionality both on board and on land. Furthermore, the extended geographic scope of the GENESIS project provided the need for bespoke solutions, each of which took into account the specificity of each individual market. The GENESIS answer to this revised context and evolution of needs was MACH II, a system made of modules which in different combinations provide a series of solutions to diverse conditions, dictated by both the vehicle conformation and the nature of the specific requirements of the fleet owner/manager.

Prior to this innovative approach to the anti siphon device product category, each vehicle brand dictated the need for a specific product, but this excluded a great number of vehicles which presented less than ideal conditions for use of such devices. With MACH II, and the ambition to be able to cover 100% of vehicles and conditions, we've introduced a sequence of decisions which lead to the configuration of the best suited device for a specific vehicle.

THE RIGHT COMBINATION STEMS FROM THE RIGHT QUESTIONS

WHAT
CONSTRAINTS
ARE PRESENT AROUND THE TANK?

Low freight deck, space constraints
tank neck shape, etc.

WHAT IS
THE BRAND/MODEL
OF THE VEHICLE?

This determines the fixing attributes
of the device.

WHAT
TYPE OF CLOSING/LOCKING
REQUIREMENTS ARE THERE?

Conventional caps, low profile caps, self
closing anti loss caps, smart caps, and
various combinations thereof.

The last of these decisions is a reversible decision, giving the owner the option to later add useful functions to the device, dictated by mutating needs, without replacing KOCKÒN, a substantial part of the initial investment.

TRANSFORM-ABLE - UPGRADE READY CAPABILITY

UPGRADE READY and TRANSFORM-ABLE means that KOCKÒN tank neck mounted mechanical devices are made to be matched with innovative complements, either when first installed or later, as the GENESIS technology broadens its scope.

UNPARALLELED PROTECTION

KOCKÒN has NO holes or slots, it's impossible to insert flexible pipes or tubes to syphon the content of the tank.

QUICK REFUELLING

Due to the specially designed internal geometry, fuel flows free without turbulence, splash-back or overflow.

PROGRESSIVE FLOAT LOCK

The progressive float lock prevents any access to the fuel located in the upper part of the tank without interfering with refueling operations.

EASY INSTALLATION

KOCKÒN is installed in seconds thanks to the proprietary bayonet and thread systems, no mechanical modifications are required to the tank or tank neck, no screws needed, no rivets, no glue or sealants.



KOCKÒN MACH II

FUEL ANTI-THEFT DEVICE



XL SERIES

KOCKÒN MACH II EXTRA LOW MODULE

This is the truly universal solution! This revolutionary new product configuration will fit vehicles where the clearance above the tank neck is limited as well as all the others. The engineered pivoting barrel allows fuel nozzles to be inserted at an angle rather than vertically, reducing the need for space between tank and freight deck.

SB SERIES

KOCKÒN MACH II SHORT BARREL MODULE

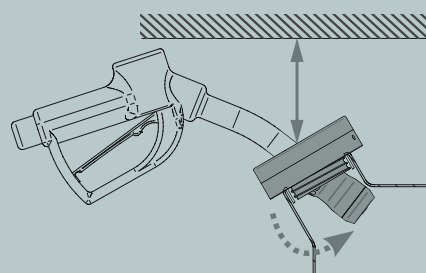
The SB product configuration proves suited to those installed conditions where there may be a curve in the tank neck or decreased neck depth that cannot accommodate the extra length created by the presence of the float on the Ultimate model KOCKÒNS. This is a particularly common situation on work Machinery and special equipment with non standard shape tanks.

ULTIMATE SERIES

KOCKÒN MACH II ULTIMATE MODULE

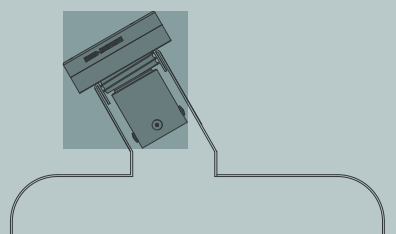
The Ultimate series represents the new generation of our time tested KOCKÒN Universal, which is where it all started. KOCKÒN MACH II Ultimate weighs in at approximately half the weight of its steel parent, boasting unparalleled strength and resistance, and reduced neck diameters, which makes installation quick, easy and fuss free.

Specially suited to all those situations where there are external conditions that impact on possible fuel pistol positioning.



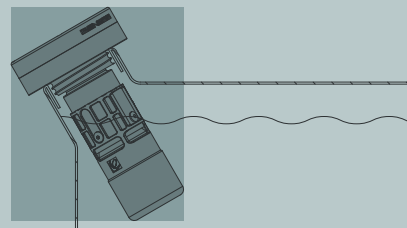
140-240 mm 716 g XL 105 MODULE 640 g XL 80 MODULE

Dedicated to those conditions where barrel length is imposed by the tank neck design.



>240 mm 750 g SB 105 MODULE 740 g SB 80 MODULE

The typical conditions for KOCKÒN MACH II Ultimate, where the barrel of the device is wetted by the fuel, hence the float prevents skimming of the tank contents.



>240 mm 780 g ULTIMATE 105 MODULE 760 g ULTIMATE 80 MODULE



KOCKÒN MACH II

FUEL ANTI-THEFT DEVICE

TRANSFORM-ABLE - UPGRADE READY CAPABILITY

QUICK LOCKING UPGRADE OPTIONS No two requirements are the same: Modularity is the answer.

At time of installation or after, our KOCKÒN MACH II base units can be promptly customized or updated to comply with some very specific performance options which stem from evolving operational needs or from the technological infrastructure which is present on the vehicle itself.

CONVENTIONAL OPTIONS

Conventional Options address the needs of those who prefer traditional, circular rotating caps, be it high or low profile applications, with locks or without.

PL CAP

78 60 15 100 PL-CAP

Standard 2 point 105 type bayonet bezel. Includes a low profile locking cap and bunjee chain allowing cap to dangle when open.



UNICAP

78 45 15 101 UNICAP

Upgrade kit for KOCKÒN MACH II base modules. Made to allow use of the majority of original vehicle fuel caps.



XXL

78 60 15 102 XXL

Upgrade Kit for KOCKÒN MACH II base module to achieve Extra Extra LOW profile. Includes 2 point bayonet mount non locking cap.



XXL LOCK

78 60 15 101 XXL LOCK

Upgrade Kit for KOCKÒN MACH II base module to achieve Extra Extra LOW profile. Includes locking cap with 2 point bayonet mount and locking key.



ENHANCED SECURITY OPTIONS

Enhanced security options address the need of those concerned with loosing caps or forgetting to re-fit them after refueling, hence preventing accidental spillage of fuel. These caps are available with and without locks.

ZIP

78 60 10 010 ZIP SAFETY CAP

Upgrade kit for KOCKÒN MACH II base modules. Rapid mounting self closing ventilated fuel cap without lock, can be fitted by the end user without removing KOCKÒN base from its installed position.



ZIP LOCK

78 60 10 011 ZIP SAFETY CAP LOCK

Upgrade kit for KOCKÒN MACH II base modules. Rapid mounting self closing ventilated locking fuel cap, can be fitted by the end user without removing KOCKÒN base from its installed position.



SECURITY AND CONTROL OPTIONS

Security and Control options incorporate all the features of enhanced security fuel caps, plus Telematic Convergence capability.

ZIPPER

78 60 10 019 ZIPPER WIRED UPGRADE KIT
78 60 10 029 ZIPPER WIRELESS UPGRADE KIT

Upgrade kit for KOCKÒN MACH II base modules. Features telematics interfacing capability in wired and wireless versions plus a rapid mounting self closing ventilated fuel cap without lock. Can be fitted by the end user without removing KOCKÒN base from its installed position.



ZIPPER LOCK

78 60 10 020 ZIPPER LOCK WIRED UPGRADE KIT
78 60 10 030 ZIPPER LOCK WIRELESS UPGRADE KIT

Upgrade kit for KOCKÒN MACH II base modules. Features telematics interfacing capability in wired and wireless versions plus a rapid mounting self closing ventilated locking fuel cap. Can be fitted by the end user without removing KOCKÒN base from its installed position.



Telematic Convergent options are represented by those caps which work in conjunction with other third party equipment to provide quality data which becomes valuable information when managed by appropriately integrated telematic software.



GENESIS
FORGING THE FUTURE

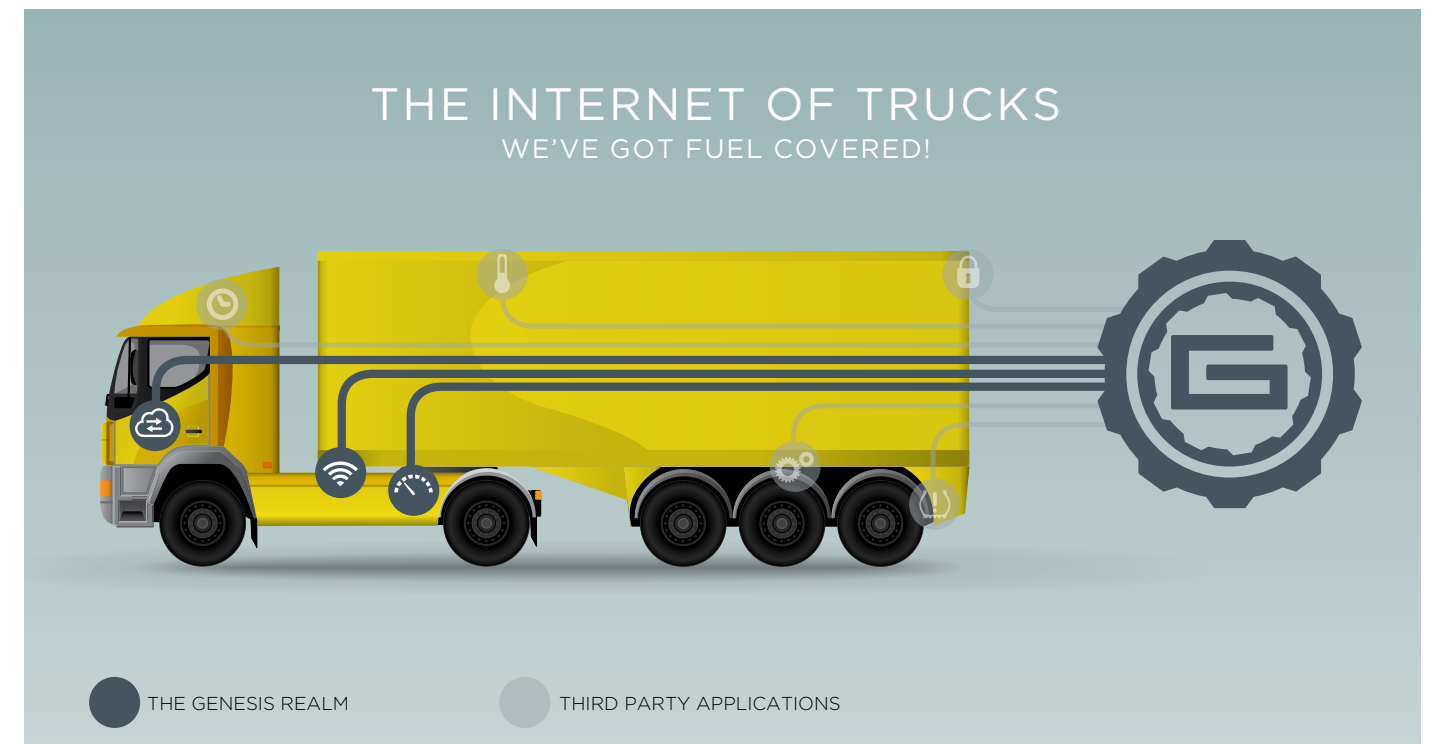
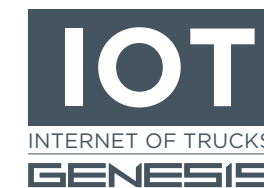


TELEMATIC CONVERGENCE

IOT: THE INTERNET OF THINGS, TRANSLATED BY GENESIS INTO THE INTERNET OF TRUCKS

GENESIS IOT denotes a scenario where products are designed to converge with what is already out there in terms of technology, platforms and protocols.

The GENESIS approach has been that of enhancing what is already present on trucks rather than creating obsolescence aimed at equipment substitution. Not only has this proven a more responsible and sustainable approach to stimulating progress in broader terms, but also a more specifically convenient avenue for operators who wish to keep their equipment up to date without having to start from scratch each time.



The constant challenge imposed by a mutating context and the pains associated with having to constantly update valuable equipment on board of heavy vehicles is attenuated by hardware which piggy backs with third party equipment, creating common grounds where resources and infrastructure are shared and optimized on the basis of their singular merits.

WHEN IT COMES TO FUEL, GENESIS HAS IT COVERED!

The combined potential which results from said integrations then constitutes the unique effectiveness which can be tailored to each individual need.

ZIPPER

TOTAL TANK PROTECTION SYSTEM

WHO'S SMARTEST FUEL CAP OF THEM ALL?

Once upon a time, a fuel cap was designed to keep the fuel inside and the contaminants outside the tank. Today, ZIPPER does all of this with great effectiveness and efficiently, plus more.



SAFETY

ZIPPER guarantees that the fuel tank is always closed when a refueling pistol is not inserted.

CONTROL

ZIPPER can warn a local or remote operator of any operations involving opening, closing or refueling.

EASY FITTING

Be it an upgrade of an existing MACH II KOCKÖN or a standalone installation, ZIPPER is fitted in seconds.

PROTECTION

ZIPPER is voted to the protection of fuel on board of your vehicle.

TELEMATIC CONVERGENCE

Designed to integrate with 3rd party telematic equipment.



ZIPPER WIRED

ZIPPER WIRED version uses a physical wired connection. ZIPPER can be directly connected to the onboard electronics by running a bipolar cable from the tank to the cabin interior. Given the adequate configuration of the telematics system, any wire cutting or tampering will be identified. An optional alarm dongle kit is available to provide the cabin occupant with a warning when the tank filler cap is being opened.

ZIPPER WIRELESS

ZIPPER WIRELESS version for a rapid and secure connection to telematics hardware. ZIPPER comes complete with a battery-powered 433MHz encoded micro-transmitter that is housed inside the body itself. On board of the vehicle, a dedicated receiver with built in buzzer allows for universal connection to telematics hardware, providing a warning of any operations involving the opening of the tank.

ZIPPER CONFORMS WITH REGULATIONS EN 62479 (2010) EN 60950-1 (2006) + A11 (2009) + A1 (2010) + A12 (2011) EN301489-1 V1.9.2 (INCLUDED RES OF ANNEX B, PAR. 2) EN 301489-3 V1.4.1 EN 300 220-2 V.2.3.1 (2010) CHAP. 4.2.1.8; 4.3.7



CLASSIC OR MACH II VERSIONS?

The CLASSIC versions, stand-alone solutions, take the place of the original fuel cap.

MACH II versions are add-ons to a KOCKÖN MACH II device from the GENESIS line, and together they provide a complete form of augmented protection.



ZIPPER CLASSIC

The ZIPPER system detects fuel cap opening. Models are made for compatibility with the majority of European brand trucks models (SCANIA - IVECO - DAF- MERCEDES - RENAULT - VOLVO etc.). ZIPPER can be used to verify where and when the fuel cap is opened when it is interfaced with a third party telematics module, while also serving to guard against fuel theft. ZIPPER CLASSIC is installed in thousands of vehicles worldwide. A unique solution that is also a valid and secure alternative to the standard fuel cap because it prevents accidental spilling of fuel.



MACH II ZIPPER TRANSFORM-ABLE

The new and versatile line of second generation ZIPPERS. ZIPPER MACH II fits intantly to any model KOCKÖN belonging to the MACH II range of fuel protection devices. ZIPPER MACH II provides cutting-edge features in the realm of fuel protection without having to give up on the time proven mechanical protection provided by KOCKÖN, well-known GENESIS anti-siphon device.

➔ For details on the full ZIPPER range, refer to the loose leaf product sheets included with this product catalogue

ZIPPER ACCESSORIES

SMS WARNING

07 73 51 003 SMS ALERT UNIT ZIPPER
Fitted in conjunction with ZIPPER, equipped with a M2M SIM card, can be easily programmed to send an SMS warning to a mobile number, indicating that a tank opening event has taken place.



BUZZER UNIT

07 73 51 001 BUZZER UNIT FOR ZIPPER WIRED
Used in conjunction with ZIPPER Wired, this unit provides an acoustic warning to the cabin occupant, whenever ZIPPER is opened. In addition, this unit also provides 2 individual signal wires, addressing telematics devices that are equipped with inverted logic inputs.



FUEL CONTROLLER

THE MISSING LINK IN FUEL MANAGEMENT



WHAT IS FUEL CONTROLLER:

FUEL CONTROLLER is a system which can be fitted to your truck as an aftermarket sensor in a virtually Plug and Play fashion, to achieve precise real time measurement of the quantity of diesel present in the tank, as well as subsequent management of the data which it generates. FUEL CONTROLLER provides output to both the vehicle's cluster level instrument and to third party telematics systems, including dedicated GENESIS mobile Applications. FUEL CONTROLLER thus proves an ideal integration for service providers that offer Track & Trace services to transport and logistics sector operators, as well as a worthy out of the box solution for owner operators who need reliable data to manage their activities more incisively.

FUEL CONTROLLER DOES NOT REQUIRE MODIFICATIONS TO THE VEHICLE:
ALL LINES, CONNECTORS AND FITTINGS ARE COMPATIBLE WITH THE ORIGINAL
EQUIPMENT FOUND ON BOARD OF THE VEHICLE.

With minimum effort, FUEL CONTROLLER can be used to integrate new functionalities to telematics, or even to add accuracy to current functions, a need dictated by the current context, where controlling fuel, fuel consumption and overall tank-side activity are a top priority in safeguarding the sustainability of operations.

WHAT MAKES UP FUEL CONTROLLER:

FUEL CONTROLLER consists of a high-precision fuel sensor that is easily installed, and more importantly, does not require structural nor electrical modifications since it simply replaces the vehicle's original sensor. Installation is quickly reversible should the vehicle be required to return to its original condition. The FUEL CONTROLLER sensor is mechanically identical to most original sensors, in that it provides fuel suction and return functions just like the original, but it adopts a measurement system with resolutions often hundreds of times higher than the original sensors', measuring along its entire length from the first to the very last millimeter, no dead spots. The dedicated FUEL CONTROLLER Sensors read temperature as well as inclination, so eventual changes in volume can be better understood by data aggregation.

FUEL CONTROLLER sensors use a dedicated electronic control unit, the Data Hub, that, suitably integrated, turns the sensor data into reliable information for both the vehicle and for land based telematics software or applications. Fuel volume and/or level data can hence be displayed, managed and aggregated with other data to generate quality information, useful for overall management of the fleet, vehicles and company operations at various levels.

FCS SENSOR SPECIFICATIONS
8 Bit CPU | Technology: capacitive sensor based on the dielectric constant of automotive diesel (standard diesel currently in use) | Resolution: 10 bits (1024 points) | Completely static | Operating temperature from -40 to +85°C | No dead spots, reading over its entire length | Available with standard fittings for major vehicle brands | Temperature Sensor | Motion sensor / accelerometer

FUEL CONTROLLER SPECIFICATIONS
Power supply 12/14 Volt DC | Power consumption 75 mA / 24 V | Operating temperature -40...+85°C | CPU 32 bit ARM® Processor | Non volatile data memory 16 MB | Bluetooth® 2.1 Module | Radio Receiver Module 433MHz RX | 1 CAN Bus Channel 2.0 | 1 RS232/RS485 Serial port | 1 dedicated resistive output | 1 secondary resistive output (optional) | 2 open collector output: I_{max} 1A, R_{on} 0.5 ff | 1 analog output: 1-12V or 4-20mA | 3 analog input: R_{in} 1Mff, V_{max} 100V | 2 digital dedicated input (only for FCS Fuel Sensors)

PERIPHERAL OPTIONS
High resolution FCS sensor | Powered external buzzer | Wired ZIPPER | Wireless ZIPPERPlus | IGT input



THE FUEL CONTROLLER PLATFORM - BETTER INFORMATION FOR BETTER MANAGEMENT

Tools for converting complex data into simple, highly useful information that anyone can use GENESIS makes web solutions available, which have been specifically created for displaying the information that results from combining FUEL CONTROLLER data with data from other sources, such as telematics systems or dedicated Applications.

These solutions prove useful in cases where a specific telematic service may not provide a dedicated diesel protection/management utility within their software.



TELEMATIC CONVERGENCE

Designed to integrate with 3rd party telematic equipment.

FUEL MEASURE

Fuel is measured in litres for main tank, secondary tank and the sum of the two.

REAL TIME INFORMATION

To monitor tanking operations, use of fuel, fuel theft/subtraction. All at individual tank level, total fuel level against kilometers and against time.

TANK SIDE ACTIVITY

Tank cap activity where ZIPPER is installed and connected.

SUPPORT FOR OPERATIONAL DECISIONS

Possibility to best manage vehicle refueling strategy to avoid transporting unused fuel, thus reducing the vehicle weight and consumption.

MORE CLUES

Temperature and inclination at each tank as to guide us to better understand the real reasons for changes in fuel level.

FUEL CONTROLLER

THE MISSING LINK IN FUEL MANAGEMENT

FC INSTALLER APP FOR ANDROID

BECAUSE EACH VEHICLE HAS ITS OWN FEATURES.

ACCURATE, SIMPLE, EFFECTIVE

The complexity dictated by the numerous variables generated by vehicle brands, standards, tank shapes, and various interfacing options is reduced by browsing the screens of the FC Installer App which runs on Android Smartphones. Pairing the smartphone to FUEL CONTROLLER runs a configuration procedure as the final step to complete each installation. With this small, pocket-sized and always updated utility, GENESIS puts all the know-how that makes FUEL CONTROLLER Simple and Effective at the fingertips of the professional installation expert. Thus the installer can configure every single installation of FUEL CONTROLLER using the smartphone. This means no fuel handling, no calibrations on site, just Plug, Play, and start managing fuel.

FC INSTALLER APP OFFERS:

USER FRIENDLY

A simple and intuitive graphic user interface.

GUIDED WORKFLOWS

Guided configurations for each major brand of vehicle.

RESOURCES

Database of the main tank shapes catalogued by part number, tank capacity and application.

UTILITIES

Custom Calibration of non standard tank shapes, firmware updating utility, pairing utility for ZIPPER fuel caps and more.

TROUBLESHOOTING

Diagnosis instruments and on screen gauges for reading the FuelController values, level, volume, temperature and inclination, and monitoring the operation of ZIPPER fuel caps in real time.



FUEL TELLER APPLICATION

The Fuel TELLER application, supported by the presence of FUEL CONTROLLER on board of your vehicle, provides detailed fuel management tools at your fingertips in the absence of telematics integration. This means that, if you are an independent operator who has an interest in keeping track of your basic traces and related fuel activity, FUEL CONTROLLER can be installed and used by simply downloading the Fuel TELLER App, registering and subscribing to our basic service program.

Fuel TELLER is an application which runs in the background on an Android SmartPhone and has a very basic Graphic User Interface which allows the user to set up the system according to specific preferences. The result being that during vehicle operation, and to some extent during stops of even a prolonged nature, FUEL CONTROLLER will collect and save data on the volume of fuel which is present in the tank.

THE FUEL TELLER APP OFFERS:

USER FRIENDLY

A simple and intuitive graphic user interface.

CONNECTIVITY

Direct connectivity to your FUEL CONTROLLER using your Android SmartPHONE.

GEO-REFERENCING

Transferring of geo referenced data to the FUEL CONTROLLER platform on land server, using your Android SmartPHONE.

PREFERENCES

User defined data transfer interval and method.

REAL TIME

Accurate on screen gauge reading indicating volume content of up to 2 tanks.

TANK SIDE ACTIVITY

Tank cap activity where ZIPPER is installed and connected.

MORE CLUES

Temperature and inclination at each tank as to guide us to better understand the real reasons for changes in fuel level.

FUEL TELLER IN COMBINATION WITH FUEL CONTROLLER WORKS ACCORDING TO TWO MAIN MODES:

Real time mode - Data is transferred directly to the Android device running Fuel Teller and paired with FUEL CONTROLLER, to be then sent to the land server according to user preference.

Latency Mode - Relevant mode for vehicles at rest and when the android device is not paired with with FUEL CONTROLLER. In this mode the data is buffered and sent as soon as an approved device is within range of the FUEL CONTROLLER hardware.

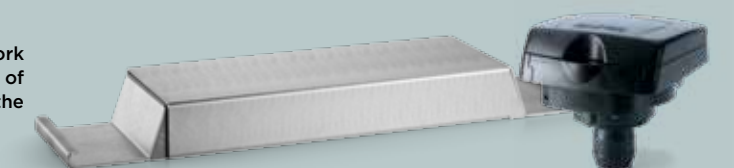
Transferring data from the Android device is a user defined parameter, Data packet dimension is very contained, meaning data transfer charges are kept to a minimum*

*approx. 2mb per year of data considering polling every 5 minutes on a typical trucking schedule.



ONE FOR ALL AND ALL FOR ONE

FUEL CONTROLLER and the entire GENESIS range of solutions can work independently or in synergy as a single system. The full range of complements to your FUEL CONTROLLER system are detailed in the loose leaf product sheets included with this product catalogue.



SENSARMOUR

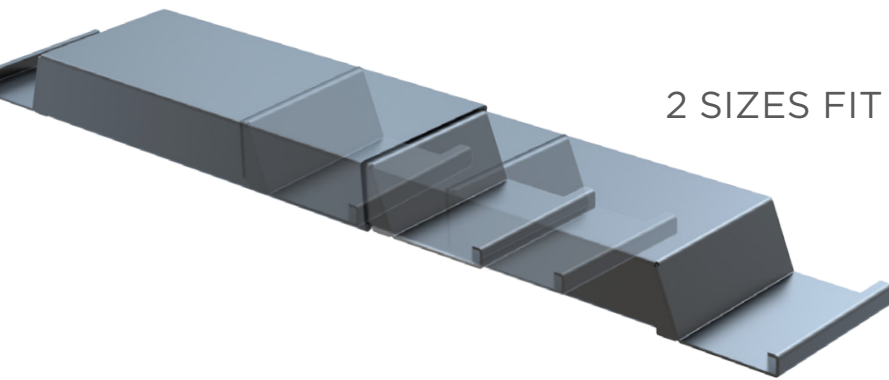
FUEL SENSOR ACCESS
PROTECTION ARMOR

SIMPLE & EFFECTIVE
DOUBLE UP ON PROTECTION AGAINST FUEL THEFT

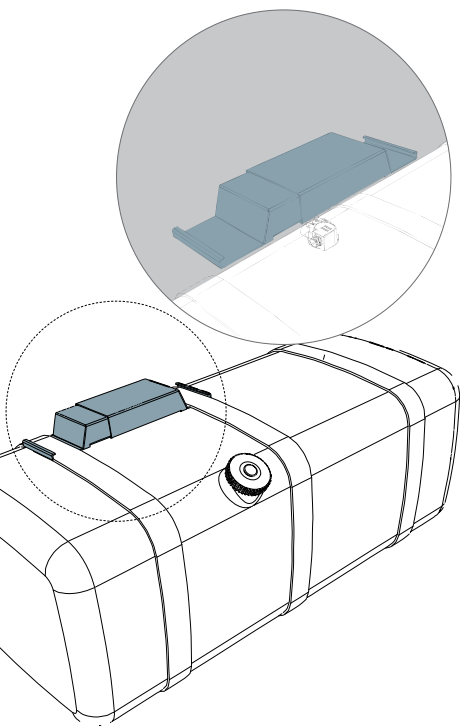
SENSARMOUR is dedicated to protecting the fuel sensor opening of the tank on heavy vehicles, from unauthorized access. It's designed to be fitted quickly and without the need for additional hardware or modifications: it's simply held in place by the existing tank retention straps. Once SENSARMOUR is installed it is no longer possible to access the fuel inside the tank through the fuel sensor opening or fuel lines.

SENSARMOUR is made of 3mm gauge aluminium with multiple longitudinal bends to ensure maximum strength and rigidity against deliberate damage. The smart telescopic geometry ensures that two single sizes fit the vast majority of installation conditions eliminating the need to cut and/or bend sheet aluminium or steel parts during installation. The result therefore proves secure, neat and unambiguously effective.

SENSARMOUR must be installed on an empty tank, making sure the tank is secured by other temporary means when loosening the retention straps. Retention straps must be loosened only one at a time.



2 SIZES FIT ALL



SENSARMOUR LARGE

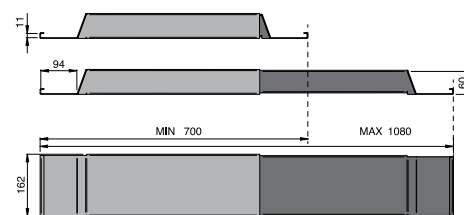
58 45 96 001
SENSARMOUR LARGE
FUEL SENSOR PROTECTION

RECOMMENDED APPLICATIONS
All tanks where distance between the straps adjacent to the sender opening are 700 to 1080mm apart (dimension measured external to strap)

READY TO USE

TECHNICAL SPECIFICATIONS

Alu 2165 g



SENSARMOUR SMALL

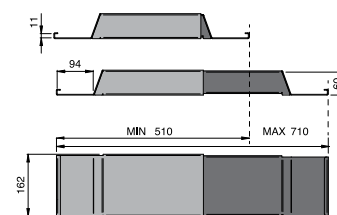
58 45 96 002
SENSARMOUR SMALL
FUEL SENSOR PROTECTION

RECOMMENDED APPLICATIONS
All tanks where distance between the straps adjacent to the sender opening are 510 to 710mm apart (dimension measured external to strap)

READY TO USE

TECHNICAL SPECIFICATIONS

Alu 1405 g



STROPOL

HIGH SECURITY DRAIN PLUG
FOR HEAVY VEHICLE TANKS

SMALL BUT BIG!
A SMALL PACKAGE WHICH HOLDS BIG VALUE

STROPOL is a small, highly engineered device which is dedicated to the big job of protecting the main drain hole of tanks of heavy vehicles against removal and access by non authorized operators.

STROPOL is made of precision Machined aluminium components and simply replaces the original drain nut. Once tightened through clockwise rotation using a hexagon allen key, the crown of STROPOL will rotate freely in the anti clockwise sense, making removal impossible for non authorized operators.

STROPOL must be installed on an empty tank.



STROPOL M24
58 45 95 003
STROPOL M24 AL

RECOMMENDED APPLICATIONS
All tanks where drain hole thread measures M24

READY TO USE

TECHNICAL SPECIFICATIONS

Alu 54 g
 24 mm



STROPOL M22
58 45 95 002
STROPOL M22 AL

RECOMMENDED APPLICATIONS
All tanks where drain hole thread measures M22

READY TO USE

TECHNICAL SPECIFICATIONS

Alu 56 g
 22 mm



STROPOL M18
58 45 95 001
STROPOL M18 AL

RECOMMENDED APPLICATIONS
All tanks where drain hole thread measures M18

READY TO USE

TECHNICAL SPECIFICATIONS

Alu 48 g
 18 mm



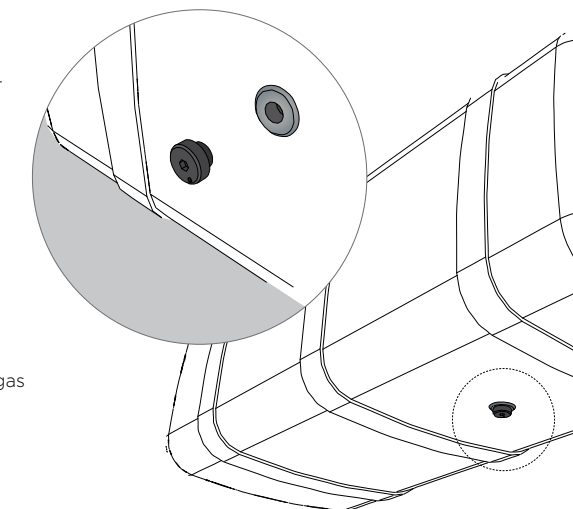
STROPOL 3/4 BS
58 45 95 004
STROPOL 3/4 BS AL

RECOMMENDED APPLICATIONS
All tanks where drain hole thread measures 3/4" gas pipe thread

READY TO USE

TECHNICAL SPECIFICATIONS

Alu 52 g
 3/4"



KOCKÒN VX SERIES

ANTI SIPHON DEVICE FOR VANS

EFFECTIVE FUEL PROTECTION FOR LIGHT COMMERCIAL VEHICLES

Since the evolution of distribution brought on by e-commerce, the rise in the number of commercial vehicles dedicated to last mile delivery and the subsequent fragmentation of the overall circulating volume of fuel has brought on the need to protect fuel even in smaller tanks. Our VX series has successfully miniaturized KOCKÒN technology, declining this much needed solution to a class of vehicles which would otherwise be exposed to the perils of fuel theft.



UNPARALLELED PROTECTION

KOCKÒN has NO holes or slots, IMPOSSIBLE to insert flexible pipes or tubes to syphon the content of the tank.

QUICK REFUELLING

Due to the specially designed internal geometry the fuel flows free without turbulence, splash back and overflow.

EASY FITTING

KOCKÒN is fitted in seconds thanks to the double bayonet system, no mechanical modifications are required, no screws, no rivets, no glue or sealants.



GENESIS
FORGING THE FUTURE



LagoGENESIS s.r.l.
via Selenia 1 - 36061
Bassano del Grappa (VI) Italy
ph & fax + 39 0424 527851
www.lagogenesis.it

GENESIS is a brand of LagoGENESIS s.r.l.

LagoGENESIS reserves the right to make any change or improvement to their products and to this document at any time and without any prior notification.