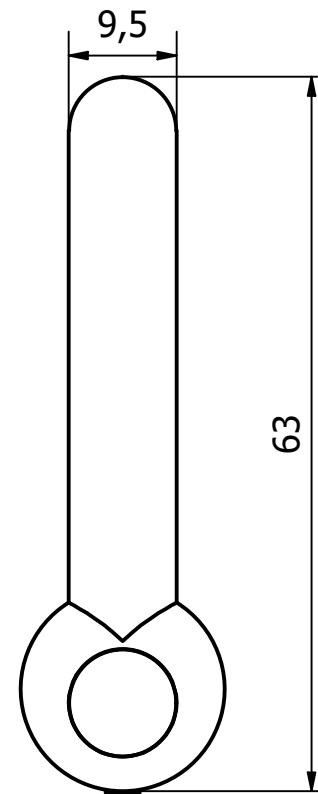
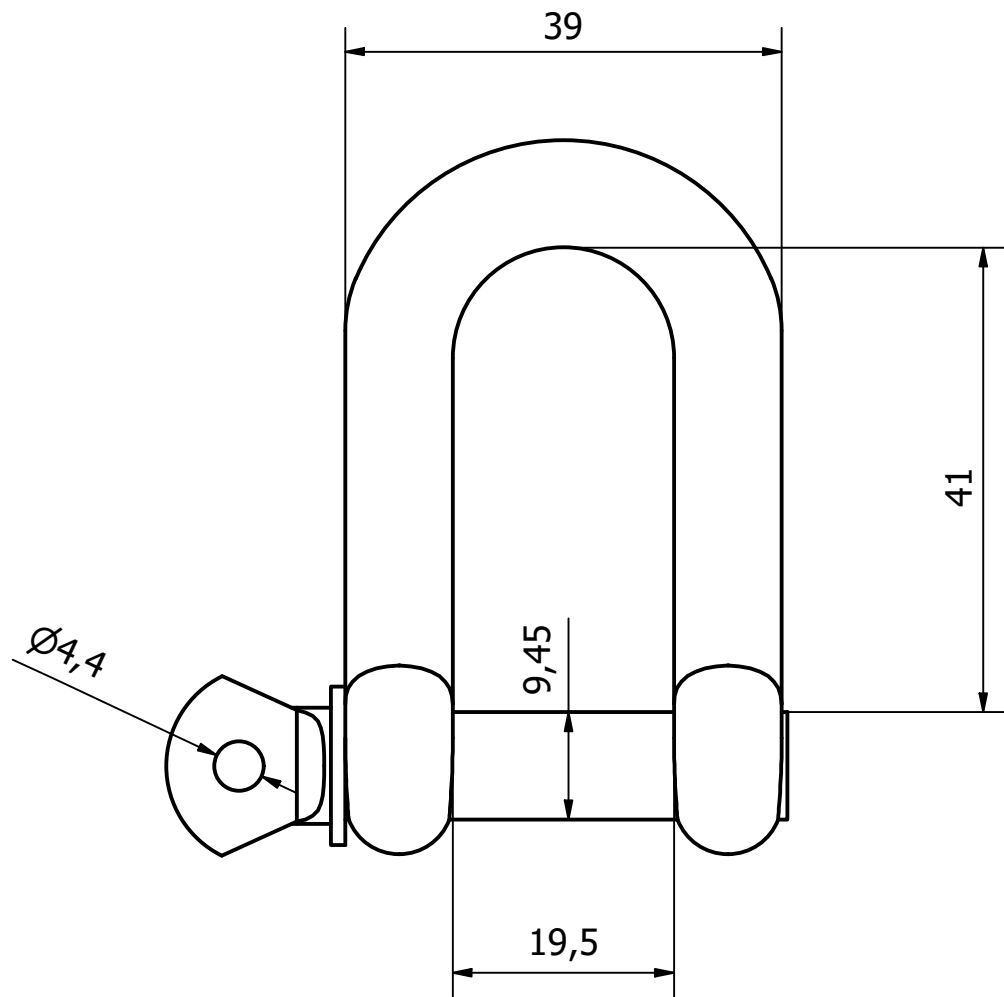
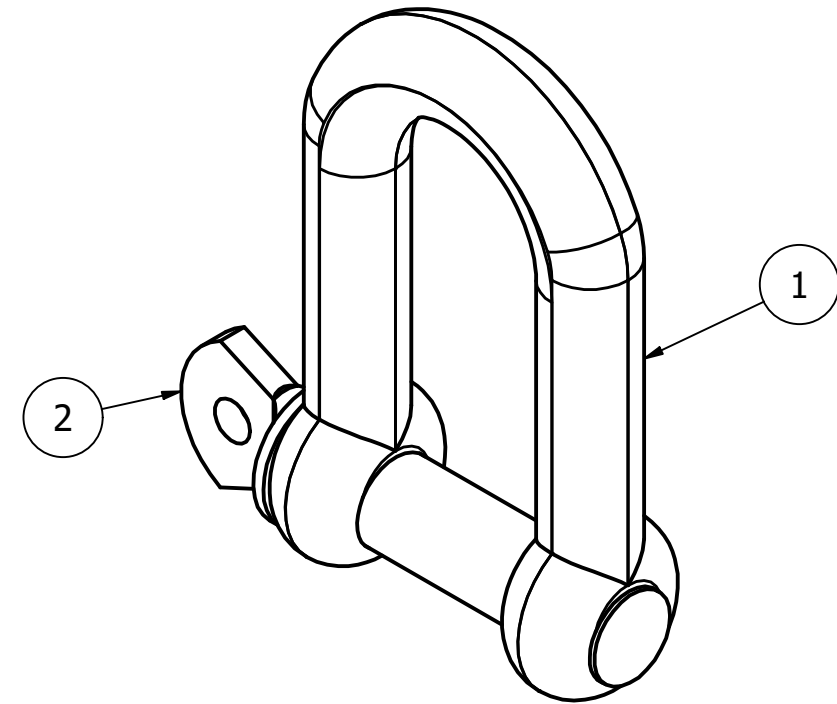
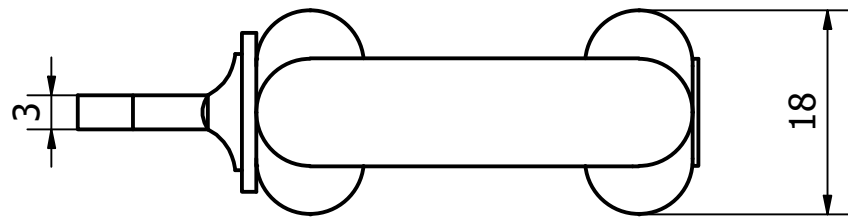


PARTS LIST			
ITEM	QTY	PART NUMBER	DESCRIPTION
1	1	0111-004-1	ZINC PLATED M/STEEL D SHACKLE BODY
2	1	0111-004-2	ZINC PLATED M/STEEL D SHACKLE PIN



1	VALIDATION COMPLETE	07/04/21	U.F
REV	DESCRIPTION	DATE	APPROVED
		29/04/2019	

GENERAL TOLERANCES ON LENGTHS	
0.5 - 6 ± 0.1mm	
6 - 30 ± 0.2mm	
30 - 120 ± 0.3mm	
120 - 400 ± 0.5mm	
400 - 1000 ± 0.8mm	
1000 - 2000 ± 1.2mm	
2000 - 4000 ± 2.0mm	

ALBERT JAGGER LTD
 GREEN LANE
 WALSALL PHONE: 01922 471000
 WEST MIDLANDS FAX: 01922 648021
 WS2 8HG

THIS DRAWING & THE DESIGN SHOWN ARE THE PROPERTY OF ALBERT JAGGER LTD AND MUST NOT BE USED OR COPIED BY A THIRD PARTY WITHOUT PERMISSION

DRAWN BY
A.S

CHECKED BY
A.P

SCALE
1.5:1

MATERIAL
SEE TABLE

MASS
0.103 kg

FINISH
SEE TABLE

Date
29/04/2019

ALL DIMS IN MM UNLESS STATED DO NOT SCALE

albert Jagger

ZINC PLATED D SHACKLE

0111-004

Edition 1

Sheet 1 / 1