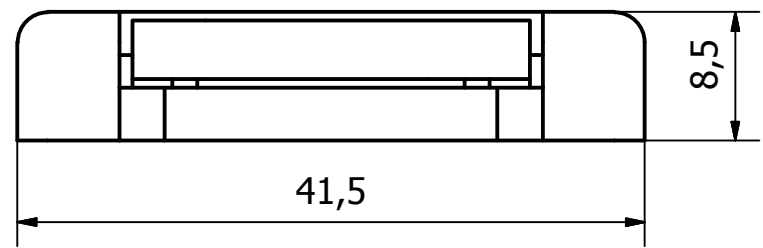
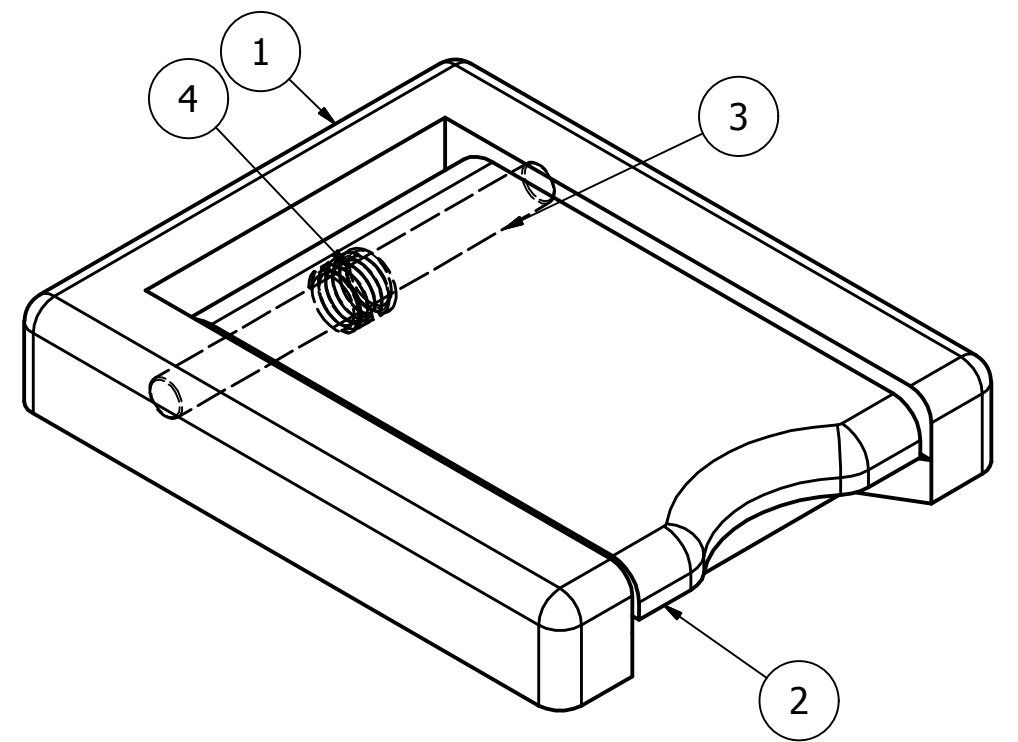


PARTS LIST			
ITEM	QTY	PART NUMBER	DESCRIPTION
1	1	0130-003-1	BLACK PLASTIC BASE PLATE
2	1	0130-003-2	BLACK PLASTIC LID
3	1	0130-003-3	M/STEEL LID PIN
4	1	0130-003-4	M/STEEL LID SPRING



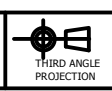
GENERAL TOLERANCES ON LENGTHS	
0.5 - 6 ± 0.1mm	
6 - 30 ± 0.2mm	
30 - 120 ± 0.3mm	
120 - 400 ± 0.5mm	
400 - 1000 ± 0.8mm	
1000 - 2000 ± 1.2mm	
2000 - 4000 ± 2.0mm	

ALBERT JAGGER LTD
 GREEN LANE
 WALSALL PHONE: 01922 471000
 WEST MIDLANDS FAX: 01922 648021
 WS2 8HG

THIS DRAWING & THE DESIGN SHOWN ARE THE PROPERTY OF ALBERT JAGGER LTD AND MUST NOT BE USED OR COPIED BY A THIRD PARTY WITHOUT PERMISSION

DRAWN BY
U.F

CHECKED BY
A.P



SCALE
2 : 1

MATERIAL
-

MASS
0.020 kg

FINISH
BLACK

Date
23/05/2017

ALL DIMS IN MM UNLESS STATED DO NOT SCALE

A3

1	VALIDATION COMPLETE	28/07/17	A.P
REV	DESCRIPTION	DATE	APPROVED



BLACK SPRING LIDDED ESCUTHEON

0130-003

Edition	Sheet
1	1 / 1