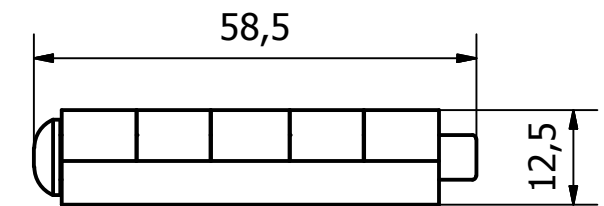
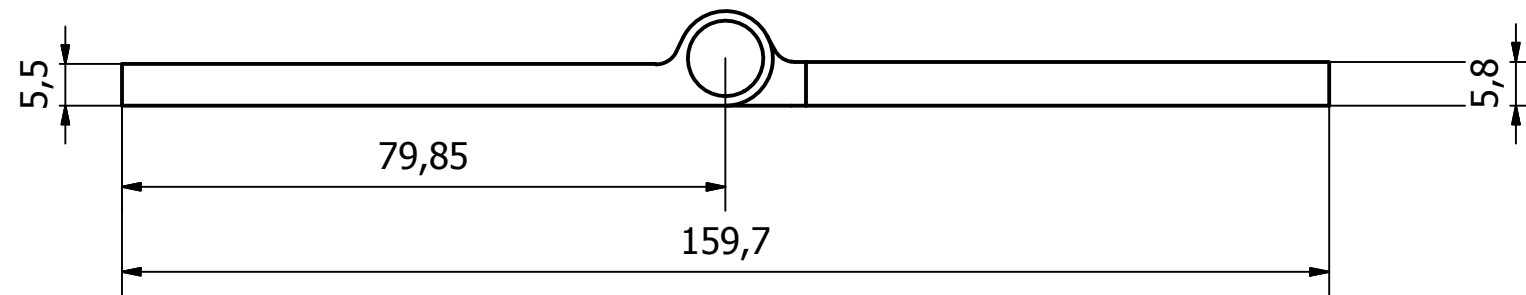
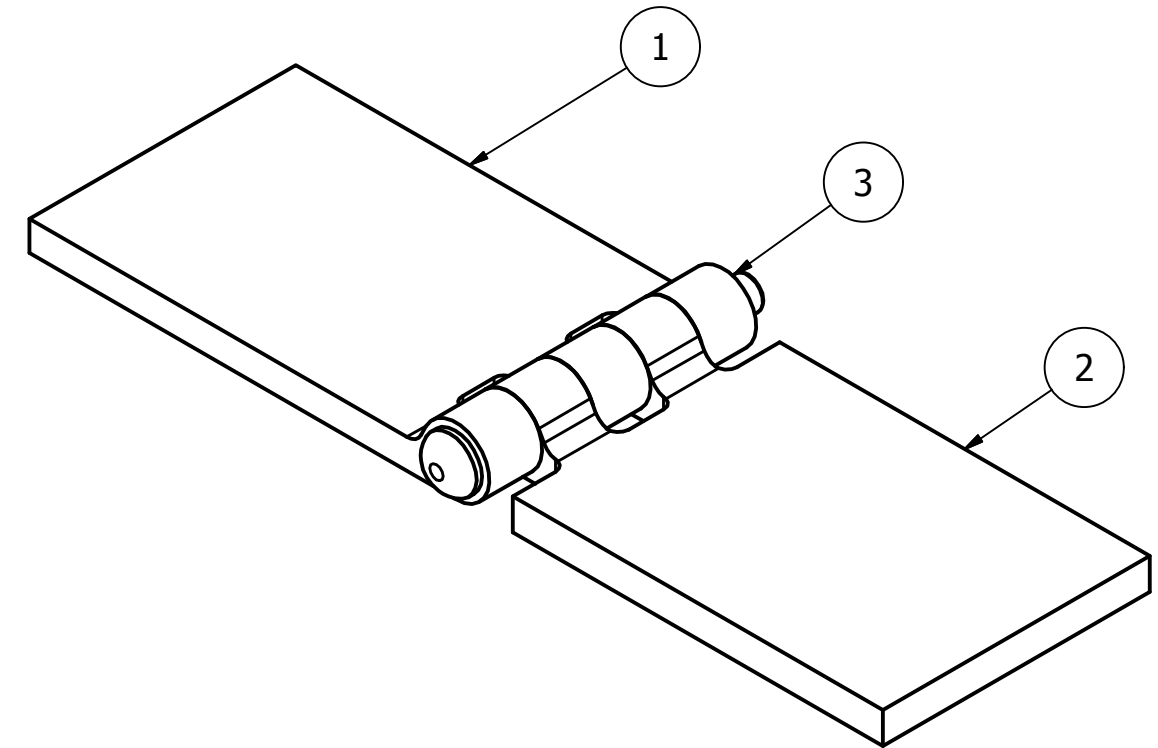
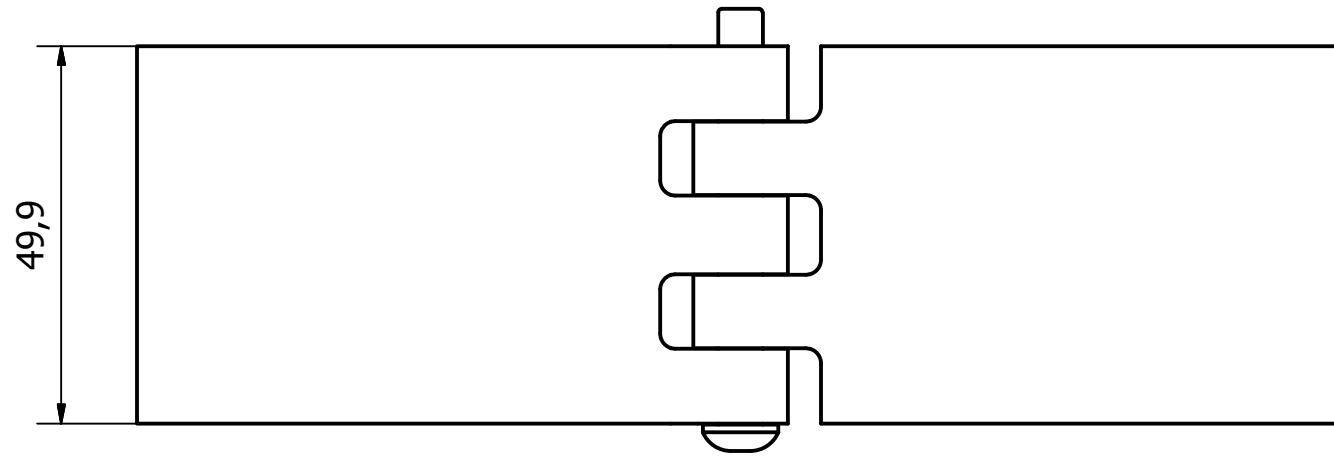


PARTS LIST

ITEM	QTY	PART NUMBER	DESCRIPTION
1	1	0430-001-1	M/STEEL MAIN HINGE FLAP
2	1	0430-001-2	M/STEEL MOUNTING HINGE FLAP
3	1	0430-001-3	S/STEEL HINGE PIN - 58.5 O/A



NOTE:
HINGE DESIGNED FOR 260° APPLICATIONS

GENERAL TOLERANCES ON LENGTHS
0.5 - 6 ± 0.1mm
6 - 30 ± 0.2mm
30 - 120 ± 0.3mm
120 - 400 ± 0.5mm
400 - 1000 ± 0.8mm
1000 - 1200 ± 1.2mm
2000 - 4000 ± 2.0mm

ALBERT JAGGER LTD
GREEN LANE
WALSALL PHONE: 01922 471000
WEST MIDLANDS FAX: 01922 648021
WS2 8HG

THIS DRAWING & THE DESIGN SHOWN ARE THE PROPERTY OF ALBERT JAGGER LTD AND MUST NOT BE USED OR COPIED BY A THIRD PARTY WITHOUT PERMISSION

DRAWN BY
U.F

CHECKED BY
A.P



SCALE
1:1

MATERIAL
-

MASS
0.371 kg

FINISH
NATURAL

Date
02/11/2016

ALL DIMS IN MM UNLESS STATED DO NOT SCALE

A3

REV	DESCRIPTION	DATE	APPROVED
1	VALIDATION COMPLETE	07/12/16	A.P



COACH HINGE - SOLID DRAWN STEEL

0430-001

Edition 1	Sheet 1 / 1
--------------	----------------