

6 1 5 1 4 3 1 2 1 1

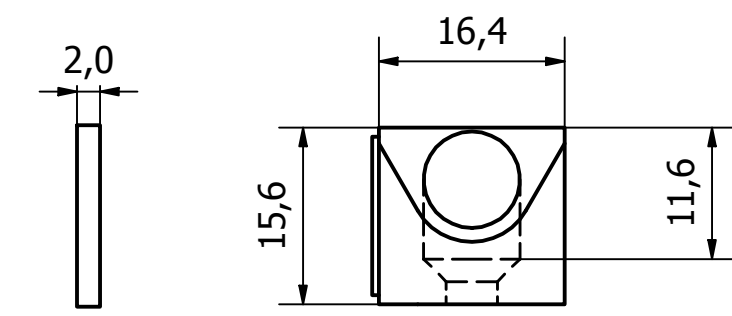
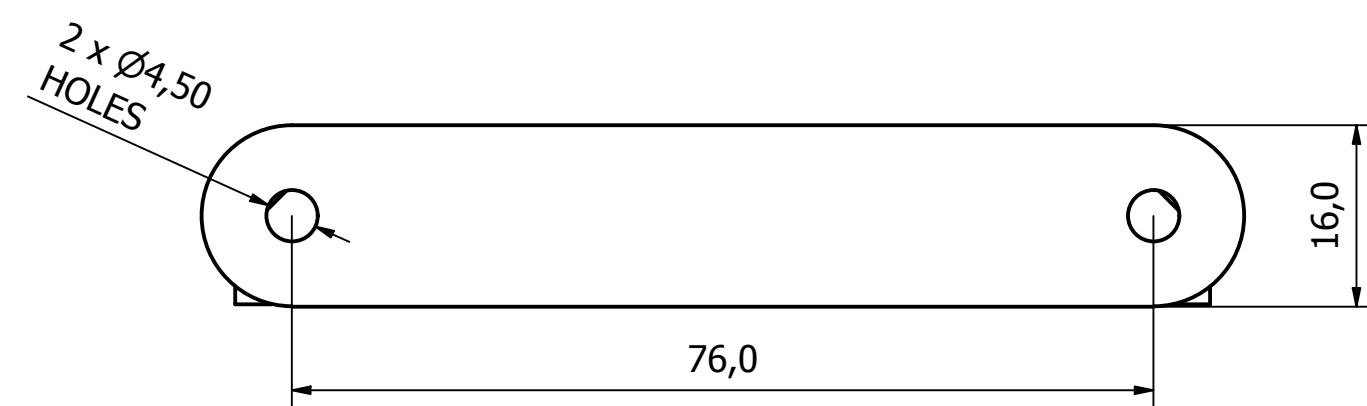
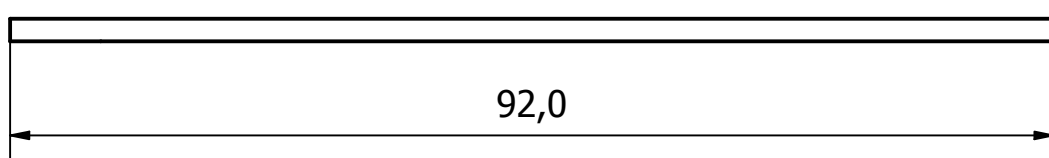
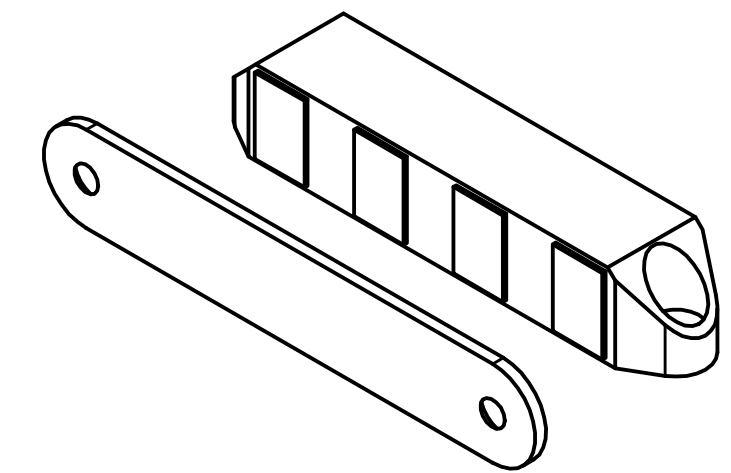
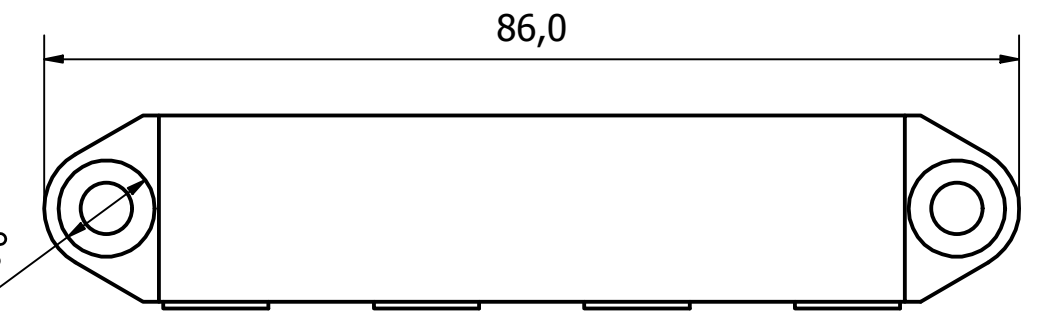
D D

C C

B B

A A

6 1 5 1 4 3 1 2 1 1



2 x Ø8,5 HOLES \sphericalangle Ø 4,5 @ 90°

2 x Ø4,50 HOLES

NOTE:
THIS OBJECT WITHSTANDS TEMPERATURES UP TO 80°C

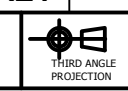
GENERAL TOLERANCES ON LENGTHS	
0.5 - 6 ± 0.1mm	
6 - 30 ± 0.2mm	
30 - 120 ± 0.3mm	
120 - 400 ± 0.5mm	
400 - 1000 ± 0.8mm	
1000 - 2000 ± 1.2mm	
2000 - 4000 ± 2.0mm	

ALBERT JAGGER LTD
GREEN LANE
WALSALL PHONE: 01922 471000
WEST MIDLANDS FAX: 01922 648021
WS2 8HG

THIS DRAWING & THE DESIGN SHOWN ARE THE PROPERTY OF ALBERT JAGGER LTD AND MUST NOT BE USED OR COPIED BY A THIRD PARTY WITHOUT PERMISSION

DRAWN BY
A.S

CHECKED BY
A.P



SCALE
1.5:1

MATERIAL
ZINC DIE CAST

MASS
0.151 kg

FINISH
NICKEL PLATED

Date
26/11/2018

ALL DIMS IN MM UNLESS STATED DO NOT SCALE

A3



1		VALIDATION COMPLETE	07/01/19	A.P
REV		DESCRIPTION	DATE	APPROVED
		MAGNETIC CATCH 8KG PULL		
0486-1673391			Edition 1	Sheet 1 / 1