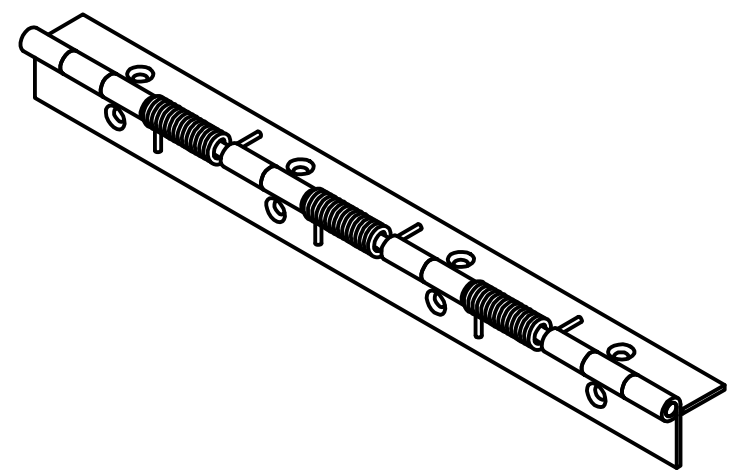
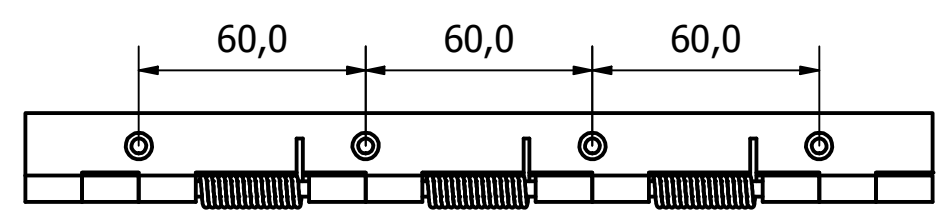


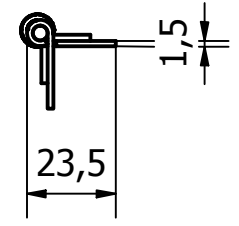
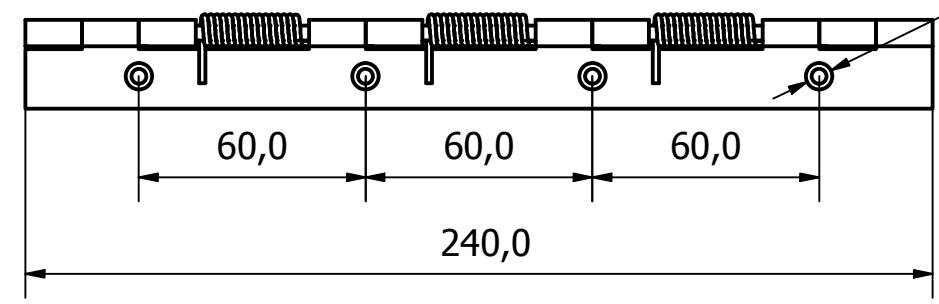
6 5 4 3 2 1

D



C

8 x Ø7,0 HOLES \sphericalangle Ø4,0 @ 90°



B

A

NOTE:
2.55Nm TORQUE TO OPEN - 270° OPENING

1	VALIDATION COMPLETE	08/01/19	A.P
REV	DESCRIPTION	DATE	APPROVED

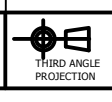
GENERAL TOLERANCES ON LENGTHS	
0.5 - 6 ± 0.1mm	
6 - 30 ± 0.2mm	
30 - 120 ± 0.3mm	
120 - 400 ± 0.5mm	
400 - 1000 ± 0.8mm	
1000 - 2000 ± 1.2mm	
2000 - 4000 ± 2.0mm	

ALBERT JAGGER LTD
GREEN LANE
WALSALL PHONE: 01922 471000
WEST MIDLANDS FAX: 01922 648021
WS2 8HG

THIS DRAWING & THE DESIGN SHOWN ARE THE PROPERTY OF ALBERT JAGGER LTD AND MUST NOT BE USED OR COPIED BY A THIRD PARTY WITHOUT PERMISSION

DRAWN BY
A.S

CHECKED BY
A.P



SCALE
1 : 2

MATERIAL
M/STEEL

MASS
0.162 kg

FINISH
Z/C
PASSIVATE

Date
19/12/2018

ALL DIMS IN MM
UNLESS STATED
DO NOT SCALE

A3



SPRING OPEN HINGE 240mm x 40mm

0486-7113807

Edition 1	Sheet 1 / 1
--------------	----------------

6 5 4 3 2 1