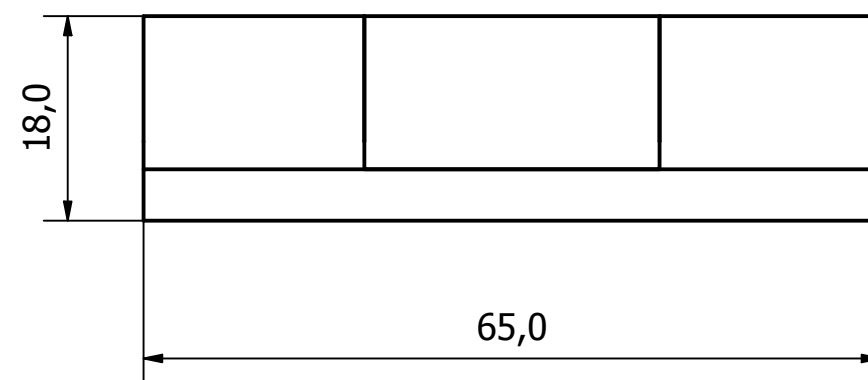
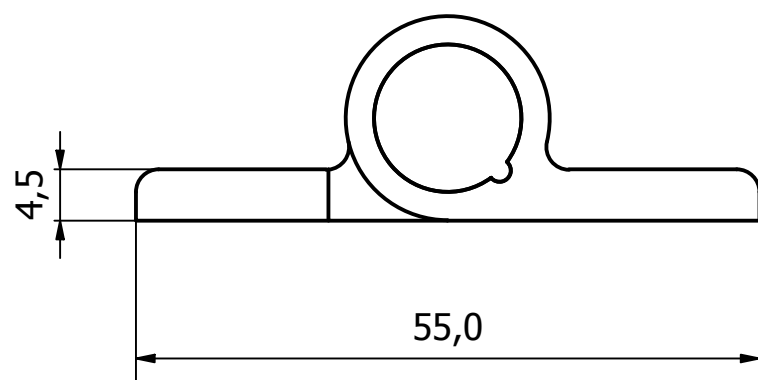
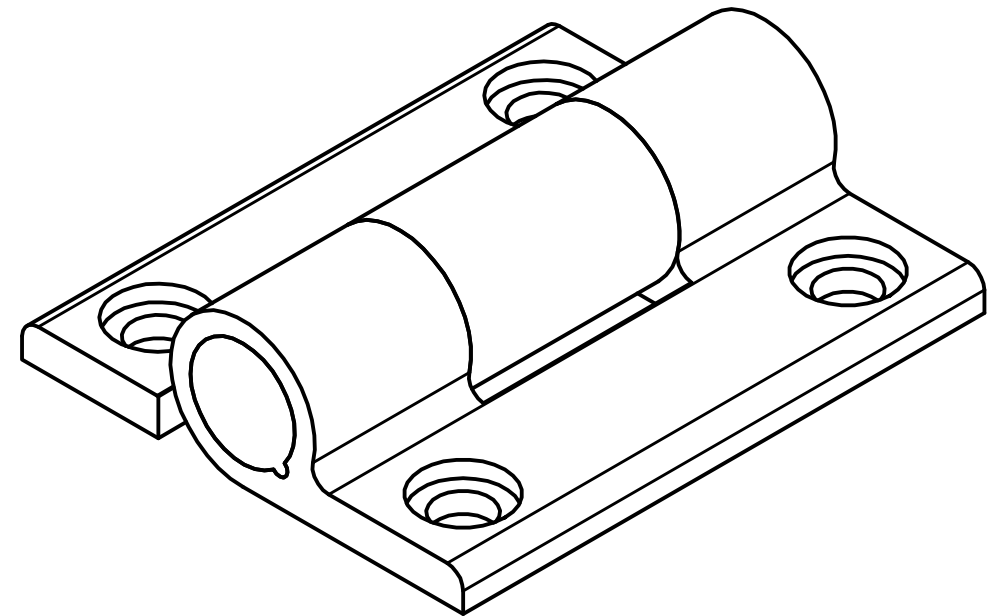
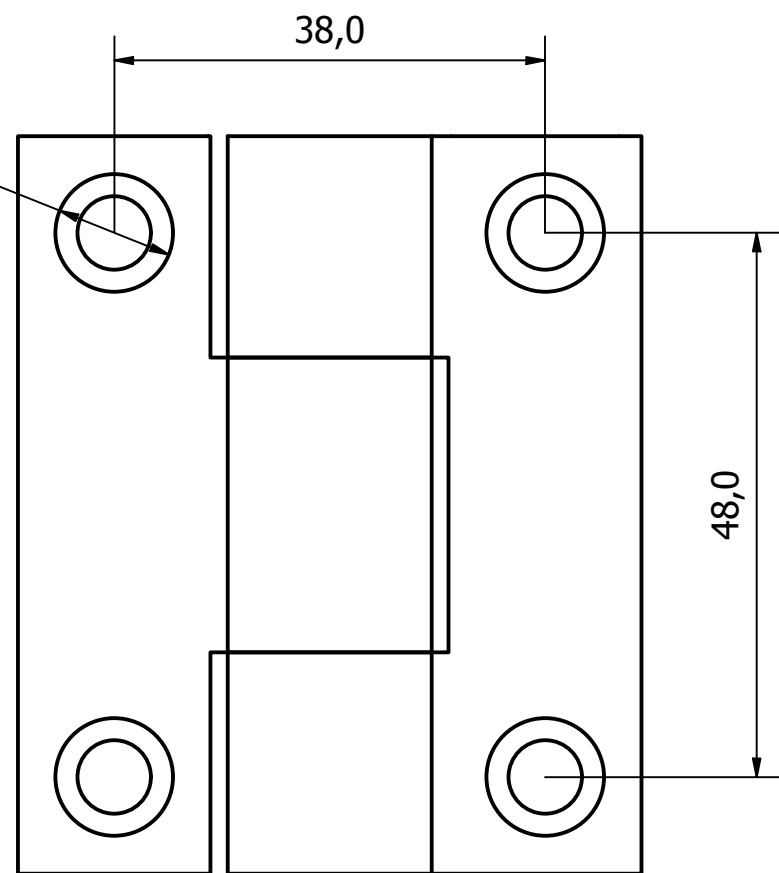


4 x Ø10,4 HOLES L 6.5 @ 90°



NOTE:

HINGE MANUFACTURED FROM 6060 T5 ALUMINIUM  
 BLACK ANODISED FINISH  
 FRICTION TORQUE ADJUSTABLE 0-5Nm  
 SCREW FIXING

GENERAL TOLERANCES ON LENGTHS	
0.5 - 6 ± 0.1mm	
6 - 30 ± 0.2mm	
30 - 120 ± 0.3mm	
120 - 400 ± 0.5mm	
400 - 1000 ± 0.8mm	
1000 - 2000 ± 1.2mm	
2000 - 4000 ± 2.0mm	

ALBERT JAGGER LTD  
 GREEN LANE  
 WALSALL PHONE: 01922 471000  
 WEST MIDLANDS FAX: 01922 648021  
 WS2 8HG  
 THIS DRAWING & THE DESIGN SHOWN  
 ARE THE PROPERTY OF ALBERT JAGGER LTD  
 AND MUST NOT BE USED OR COPIED BY A  
 THIRD PARTY WITHOUT PERMISSION

DRAWN BY  
 U.F

CHECKED BY  
 A.P



SCALE  
 1.5:1

MATERIAL  
 SEE NOTE

MASS  
 0.057 kg

FINISH  
 SEE NOTE

Date  
 08/11/2018

ALL DIMS IN MM  
 UNLESS STATED  
 DO NOT SCALE

A3



FRICION HINGE - 65mm x 55mm  
 0486-7214146  
 Edition 1  
 Sheet 1 / 1

1	VALIDATION COMPLETE	03/01/19	A.P
REV	DESCRIPTION	DATE	APPROVED