

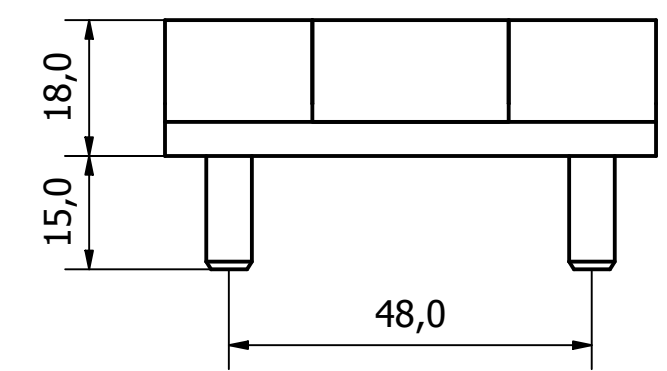
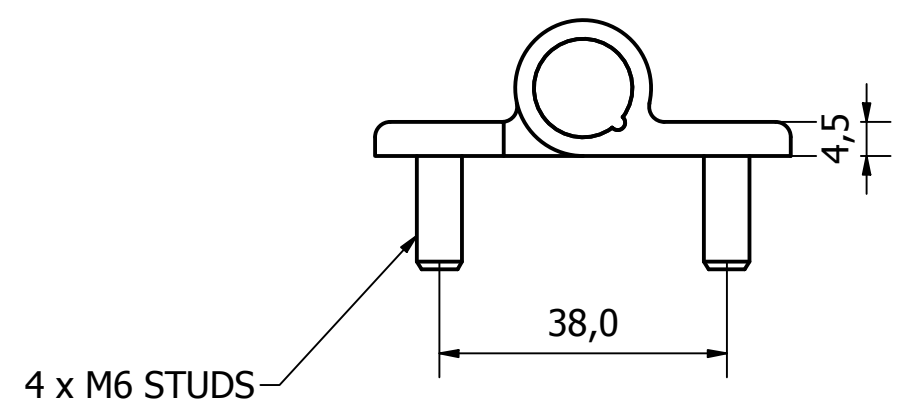
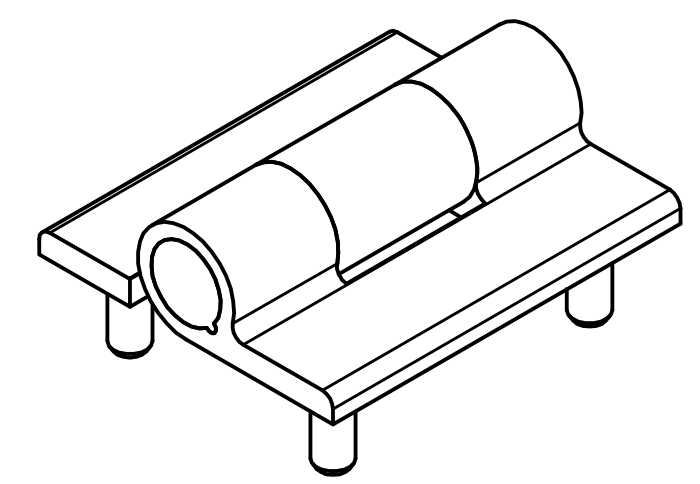
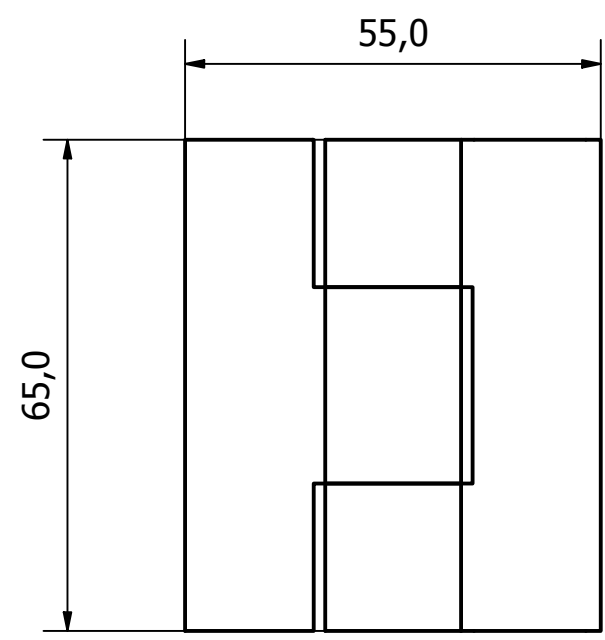
6 5 4 3 2 1

D D

C C

B B

A A



NOTE:
ADJUSTABLE TORQUE: 0-5Nm

| GENERAL TOLERANCES ON LENGTHS |
|-------------------------------|
| 0.5 - 6 ± 0.1mm |
| 6 - 30 ± 0.2mm |
| 30 - 120 ± 0.3mm |
| 120 - 400 ± 0.5mm |
| 400 - 1000 ± 0.8mm |
| 1000 - 2000 ± 1.2mm |
| 2000 - 4000 ± 2.0mm |

ALBERT JAGGER LTD
GREEN LANE
WALSALL PHONE: 01922 471000
WEST MIDLANDS FAX: 01922 648021
WS2 8HG

THIS DRAWING & THE DESIGN SHOWN ARE THE PROPERTY OF ALBERT JAGGER LTD AND MUST NOT BE USED OR COPIED BY A THIRD PARTY WITHOUT PERMISSION

DRAWN BY
A.S

CHECKED BY
A.P



SCALE
1 : 1

MATERIAL
6060 T5 ALUMINIUM

MASS
0.080 kg

FINISH
BLACK ANODIZED

Date
26/11/2018

ALL DIMS IN MM UNLESS STATED DO NOT SCALE

A3



| | |
|--|-------------------------|
| 6060 T5 ALUMINIUM FRICTION HINGE 65mm x 55mm | |
| 0486-7214148 | Edition 1 / Sheet 1 / 1 |

| 1 | VALIDATION COMPLETE | 03/01/19 | A.P |
|-----|---------------------|----------|----------|
| REV | DESCRIPTION | DATE | APPROVED |

6 5 4 3 2 1