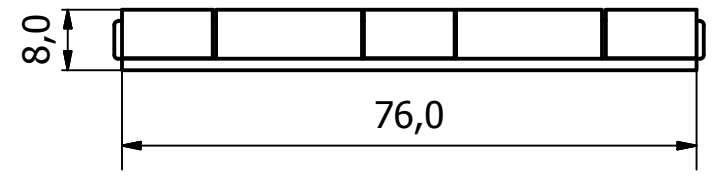
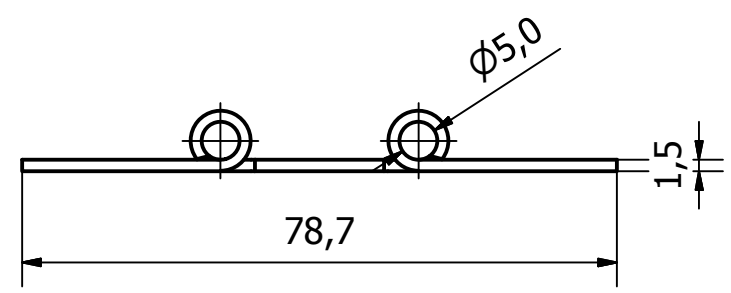
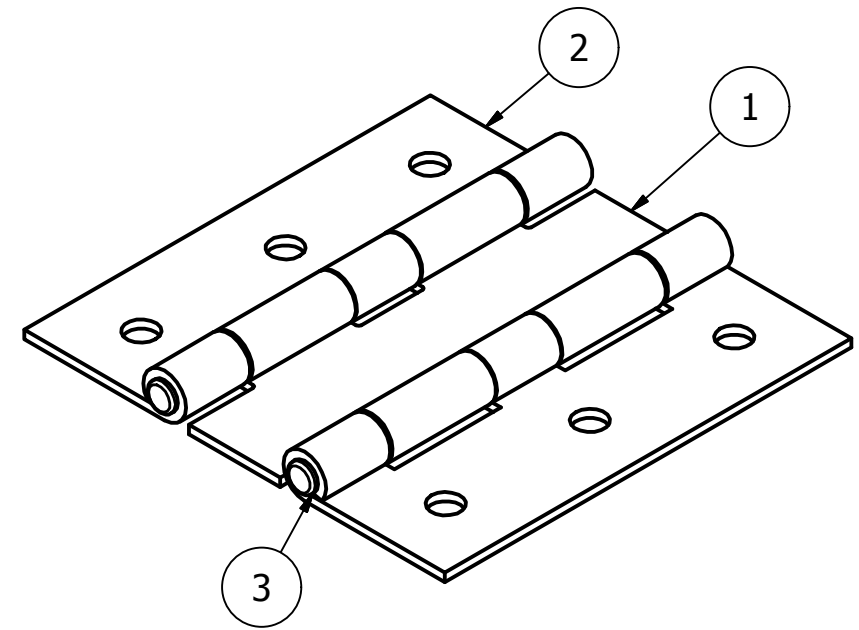
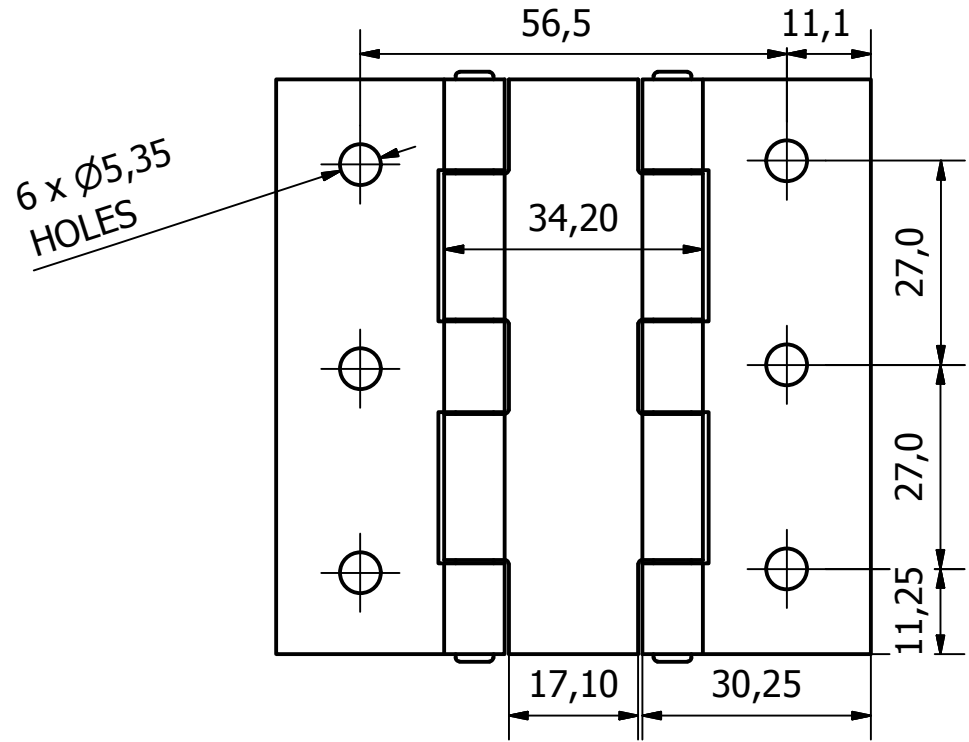


PARTS LIST			
ITEM	QTY	PART NUMBER	DESCRIPTION
1	1	0516-7575-1	HINGE MAIN BODY - M/STEEL
2	2	0516-7575-2	HINGE FLAPS - M/STEEL
3	2	0516-7575-3	HINGE PIN - 78 O/A M/STEEL



FINISH - ELECTROPLATED TO BS1706 : 1990
fe/Zn 12c 2C

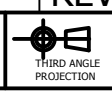
GENERAL TOLERANCES ON LENGTHS
0.5 - 6 ± 0.1mm
6 - 30 ± 0.2mm
30 - 120 ± 0.3mm
120 - 400 ± 0.5mm
400 - 1000 ± 0.8mm
1000 - 1200 ± 1.2mm
2000 - 4000 ± 2.0mm

ALBERT JAGGER LTD
GREEN LANE
WALSALL PHONE: 01922 471000
WEST MIDLANDS FAX: 01922 648021
WS2 8HG

THIS DRAWING & THE DESIGN SHOWN ARE THE PROPERTY OF ALBERT JAGGER LTD AND MUST NOT BE USED OR COPIED BY A THIRD PARTY WITHOUT PERMISSION

DRAWN BY
U.F

CHECKED BY
A.P



SCALE
1 : 1

MATERIAL
-

MASS
0.116 kg

FINISH
SEE NOTE

Date
06/10/2016

ALL DIMS IN MM UNLESS STATED DO NOT SCALE

A3

REV	DESCRIPTION	DATE	APPROVED
1	VALIDATION COMPLETE	12/10/16	A.P

DOUBLE KNUCKLE HINGE

0516-7575	Edition 1	Sheet 1 / 1
-----------	--------------	----------------