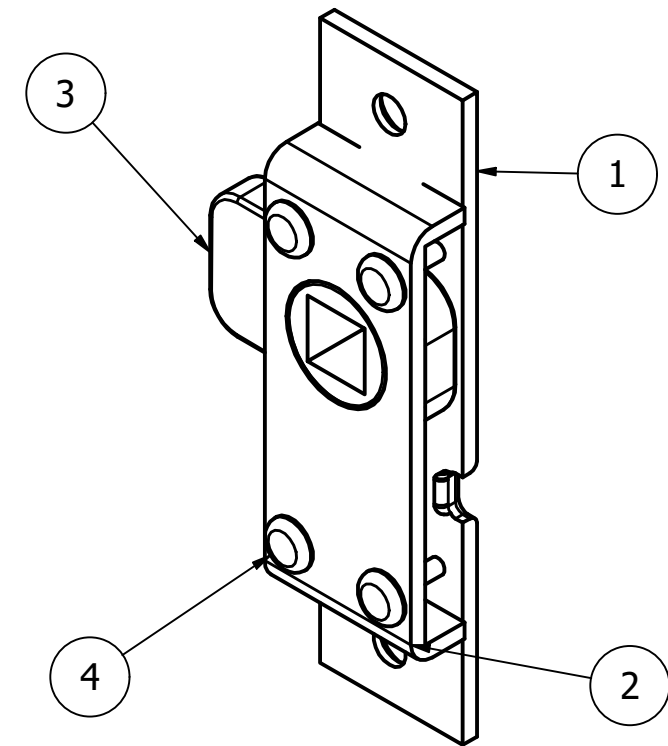
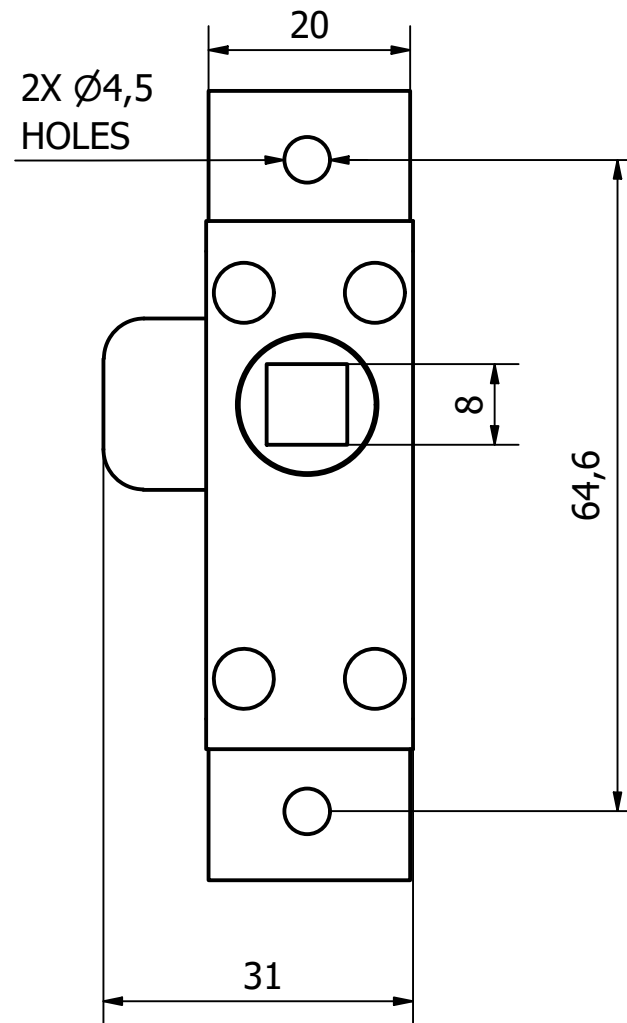
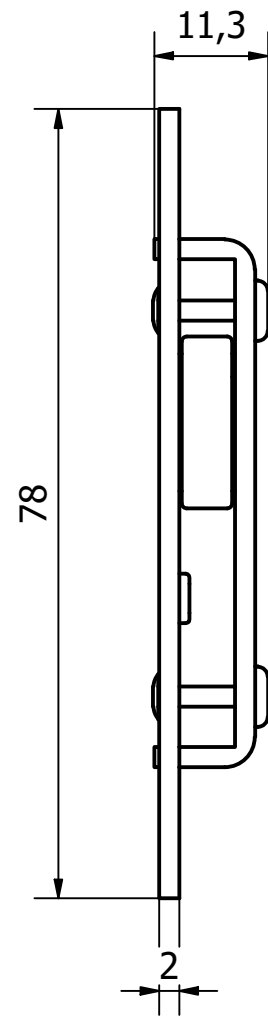
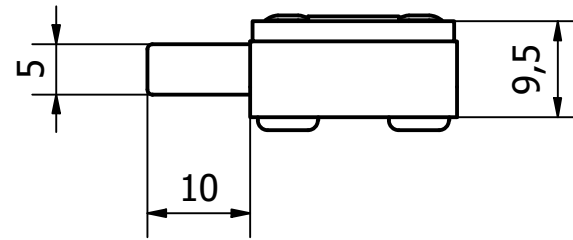


PARTS LIST			
ITEM	QTY	PART NUMBER	DESCRIPTION
1	1	0745-002-1	M/STEEL- ZINC PLATED BASE PLATE
2	1	0745-002-2	M/STEEL- ZINC PLATED TOP PLATE
3	1	0745-002-3	BRASS TONGUE- SELF COLOUR NATURAL
4	4	0745-002-4	M/STEEL - ZINC PLATED RIVITS



1	VALIDATION COMPLETE	04/10/21	C.H
REV	DESCRIPTION	DATE	APPROVED
2:1	SEE TABLE	04/10/2021	
SCALE	MATERIAL	MASS	FINISH
2:1	SEE TABLE	0.062 kg	SEE TABLE
DRAWN BY		Date	
S.R		04/10/2021	
CHECKED BY		ALL DIMS IN MM UNLESS STATED DO NOT SCALE	
C.H		A3	
albert Jagger			BUDGET LOCKS - BRASS TONGUE
0745-002			Edition 1 / Sheet 1 / 1

GENERAL TOLERANCES ON LENGTHS
0.5 - 6 ± 0.1mm
6 - 30 ± 0.2mm
30 - 120 ± 0.3mm
120 - 400 ± 0.5mm
400 - 1000 ± 0.8mm
1000 - 2000 ± 1.2mm
2000 - 4000 ± 2.0mm

ALBERT JAGGER LTD
GREEN LANE
WALSALL PHONE: 01922 471000
WEST MIDLANDS FAX: 01922 648021
WS2 8HG
THIS DRAWING & THE DESIGN SHOWN ARE THE PROPERTY OF ALBERT JAGGER LTD AND MUST NOT BE USED OR COPIED BY A THIRD PARTY WITHOUT PERMISSION

DRAWN BY S.R
CHECKED BY C.H
THIRD ANGLE PROJECTION
albert Jagger