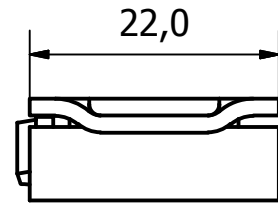
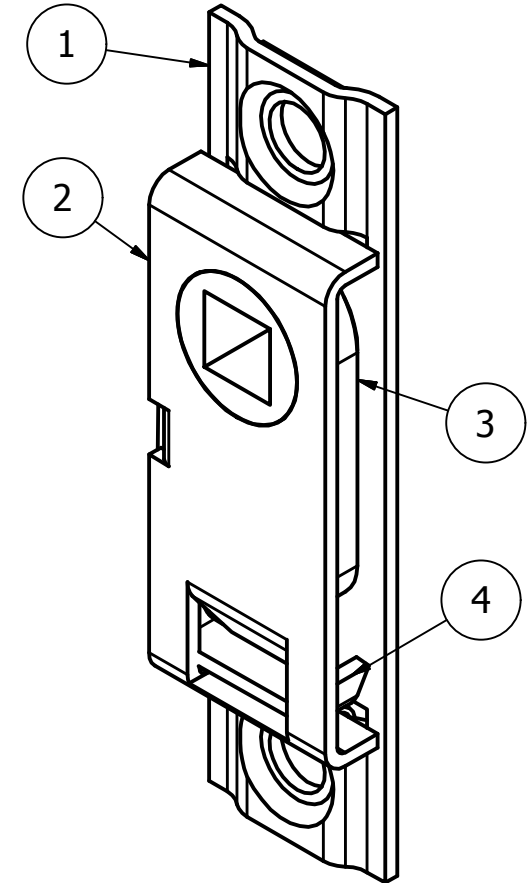
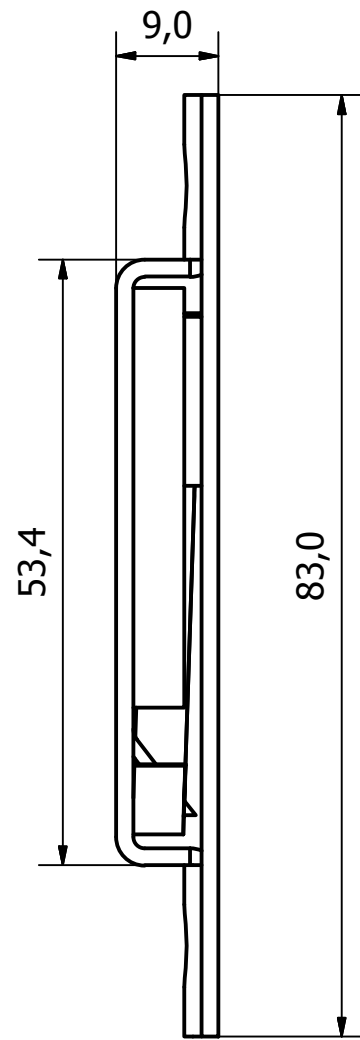
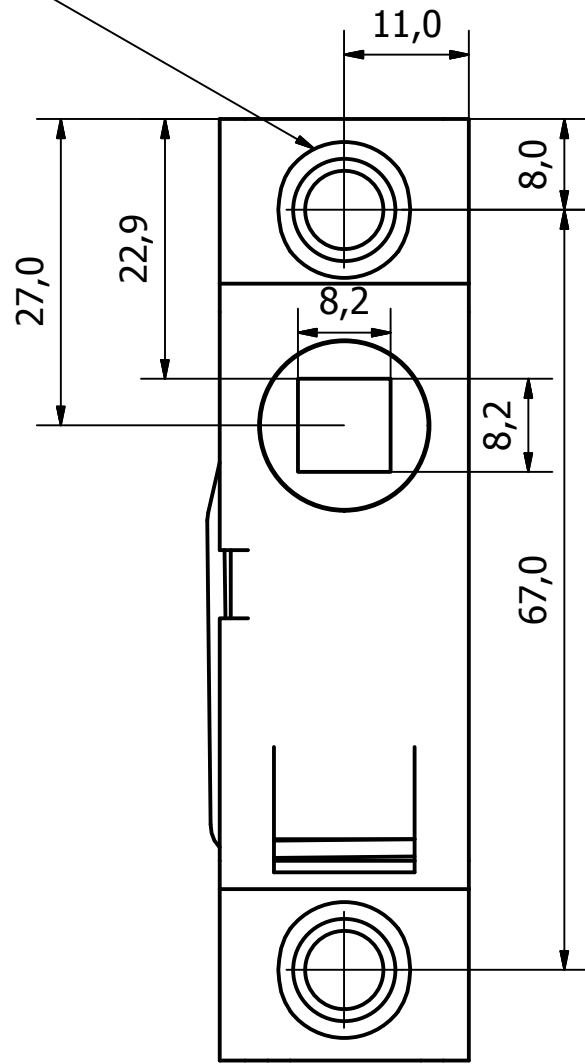


PARTS LIST			
ITEM	QTY	PART NUMBER	DESCRIPTION
1	1	0754-001-1	M/STEEL LOCK BASE PLATE
2	1	0754-001-2	M/STEEL LOCK TOP PLATE
3	1	0754-001-3	M/STEEL LOCK TONGUE
4	1	0754-001-4	M/STEEL LOCK RETAINING BRACKET



2 x Ø12 HOLES  $\sphericalangle$  6.9 @ 90°



PART No.	ORIENTATION
0754/001	LEFT HAND
0754/002	RIGHT HAND

GENERAL TOLERANCES ON LENGTHS  
 0.5 - 6 ± 0.1mm  
 6 - 30 ± 0.2mm  
 30 - 120 ± 0.3mm  
 120 - 400 ± 0.5mm  
 400 - 1000 ± 0.8mm  
 1000 - 2000 ± 1.2mm  
 2000 - 4000 ± 2.0mm

ALBERT JAGGER LTD  
 GREEN LANE  
 WALSALL PHONE: 01922 471000  
 WEST MIDLANDS FAX: 01922 648021  
 WS2 8HG

THIS DRAWING & THE DESIGN SHOWN ARE THE PROPERTY OF ALBERT JAGGER LTD AND MUST NOT BE USED OR COPIED BY A THIRD PARTY WITHOUT PERMISSION

DRAWN BY  
U.F

CHECKED BY  
A.P



SCALE  
1.5:1

MATERIAL  
-

MASS  
0.060 kg

FINISH  
Z/C  
PASSIVATE

Date  
08/05/2017

ALL DIMS IN MM  
UNLESS STATED  
DO NOT SCALE

A3

1	VALIDATION COMPLETE	27/07/17	A.P
REV	DESCRIPTION	DATE	APPROVED



M/STEEL BUDGET LOCK	
0754-001	Edition 1 / Sheet 1 / 1