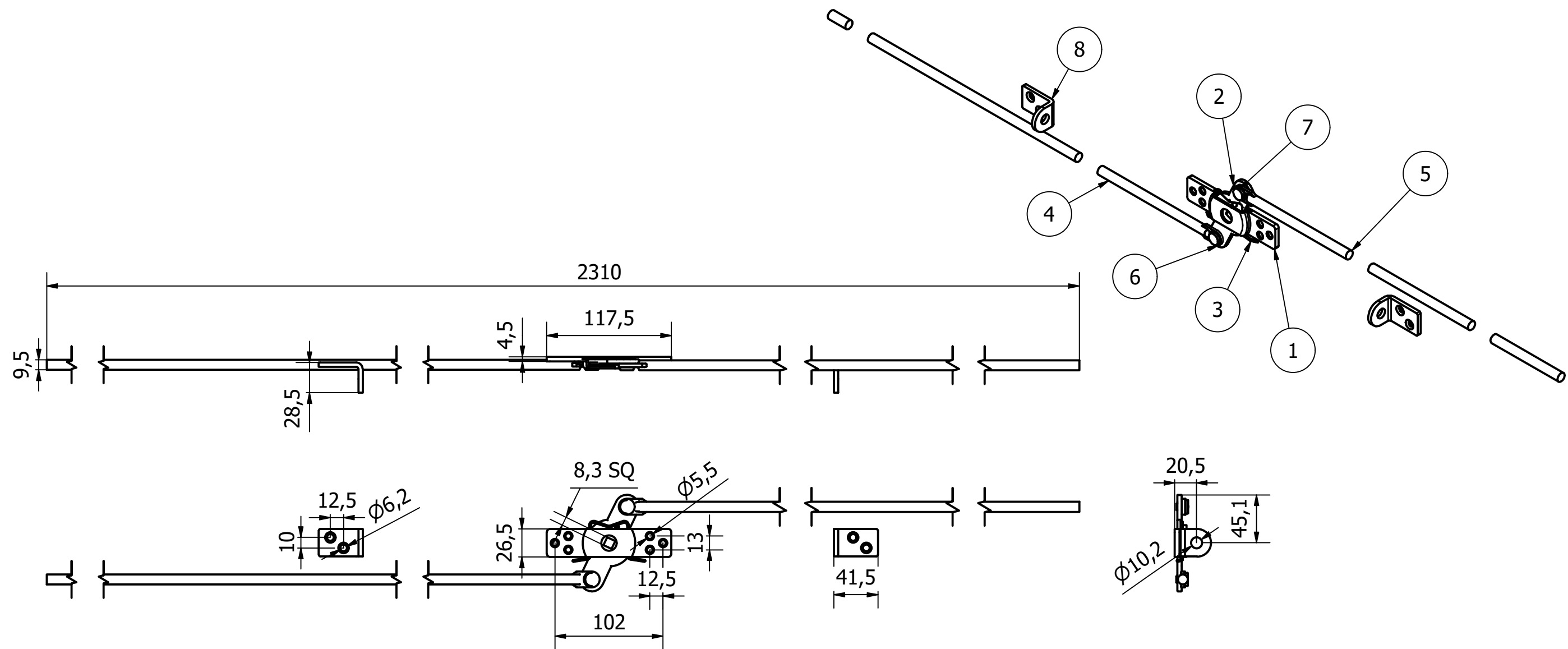


PARTS LIST			
ITEM	QTY	PART NUMBER	DESCRIPTION
1	1	0771-001-2	M/STEEL ROD LOCK BODY - Z/C PASSIVATED
2	1	0771-001-1	M/STEEL ROD MOUNTING LEVER - Z/C PASSIVATED
3	1	0771-001-3	S/STEEL SPRING PIN - NATURAL
4	1	0771-001-5	M/STEEL ROD - Z/C PASSIVATED
5	1	0771-001-4	M/STEEL ROD - Z/C PASSIVATED
6	2	0771-001-6	S/STEEL SHIM WASHER - NATURAL
7	2	0771-001-7	M/STEEL RIVET PIN - Z/C PASSIVATED
8	2	0771-001-8	M/STEEL ROD GUIDE BRACKET - Z/C PASSIVATED



1	VALIDATION COMPLETE	21/01/2022	C.H
REV	DESCRIPTION	DATE	APPROVED

GENERAL TOLERANCES ON LENGTHS	
0.5 - 6 ± 0.1mm	
6 - 30 ± 0.2mm	
30 - 120 ± 0.3mm	
120 - 400 ± 0.5mm	
400 - 1000 ± 0.8mm	
1000 - 2000 ± 1.2mm	
2000 - 4000 ± 2.0mm	

ALBERT JAGGER LTD
 GREEN LANE
 WALSALL PHONE: 01922 471000
 WEST MIDLANDS FAX: 01922 648021
 WS2 8HG

THIS DRAWING & THE DESIGN SHOWN
 ARE THE PROPERTY OF ALBERT JAGGER LTD
 AND MUST NOT BE USED OR COPIED BY A
 THIRD PARTY WITHOUT PERMISSION

DRAWN BY S.R
 CHECKED BY C.H



SCALE 1 : 4

MATERIAL SEE TABLE

MASS 1.555 kg

FINISH SEE TABLE

Date 13/01/2022

ALL DIMS IN MM UNLESS STATED DO NOT SCALE

A3



2 POINT LOCKING ROD LOCK - LEFT HAND

0771-001

Edition 1

Sheet 1 / 1