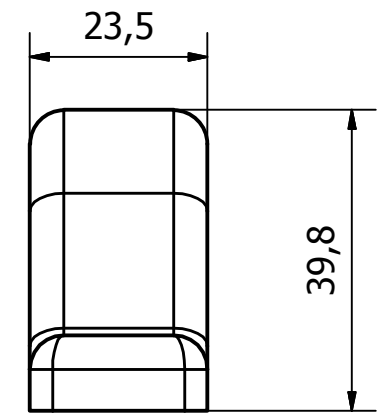
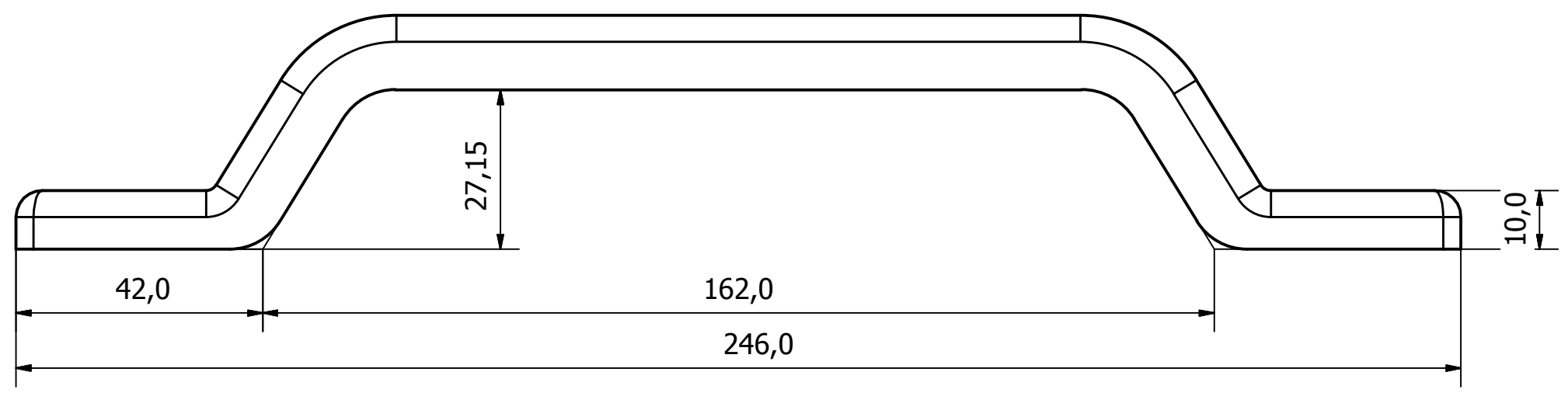
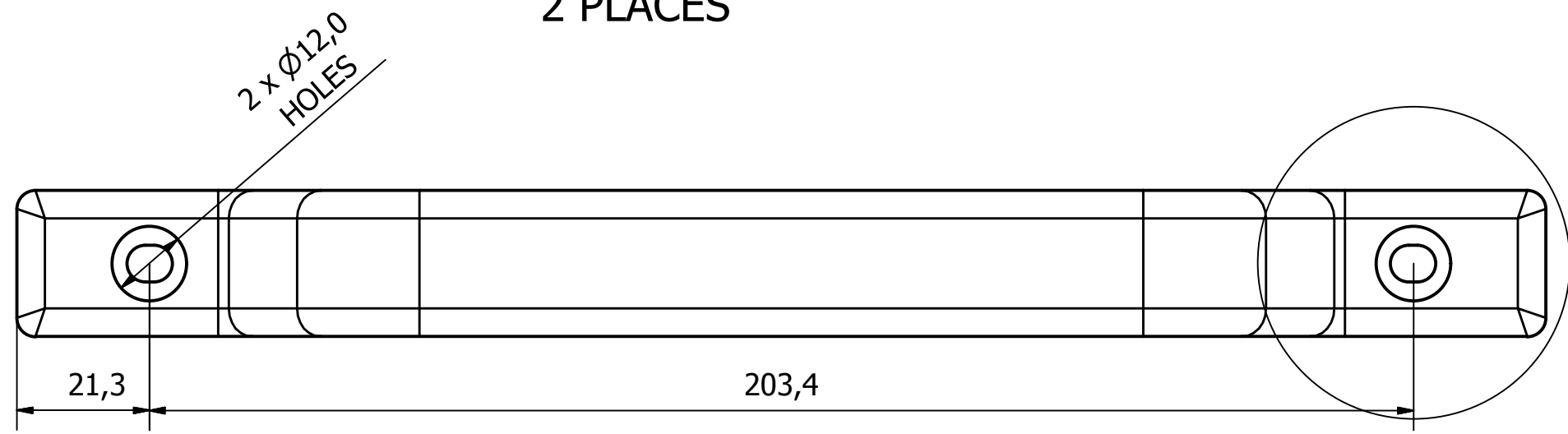
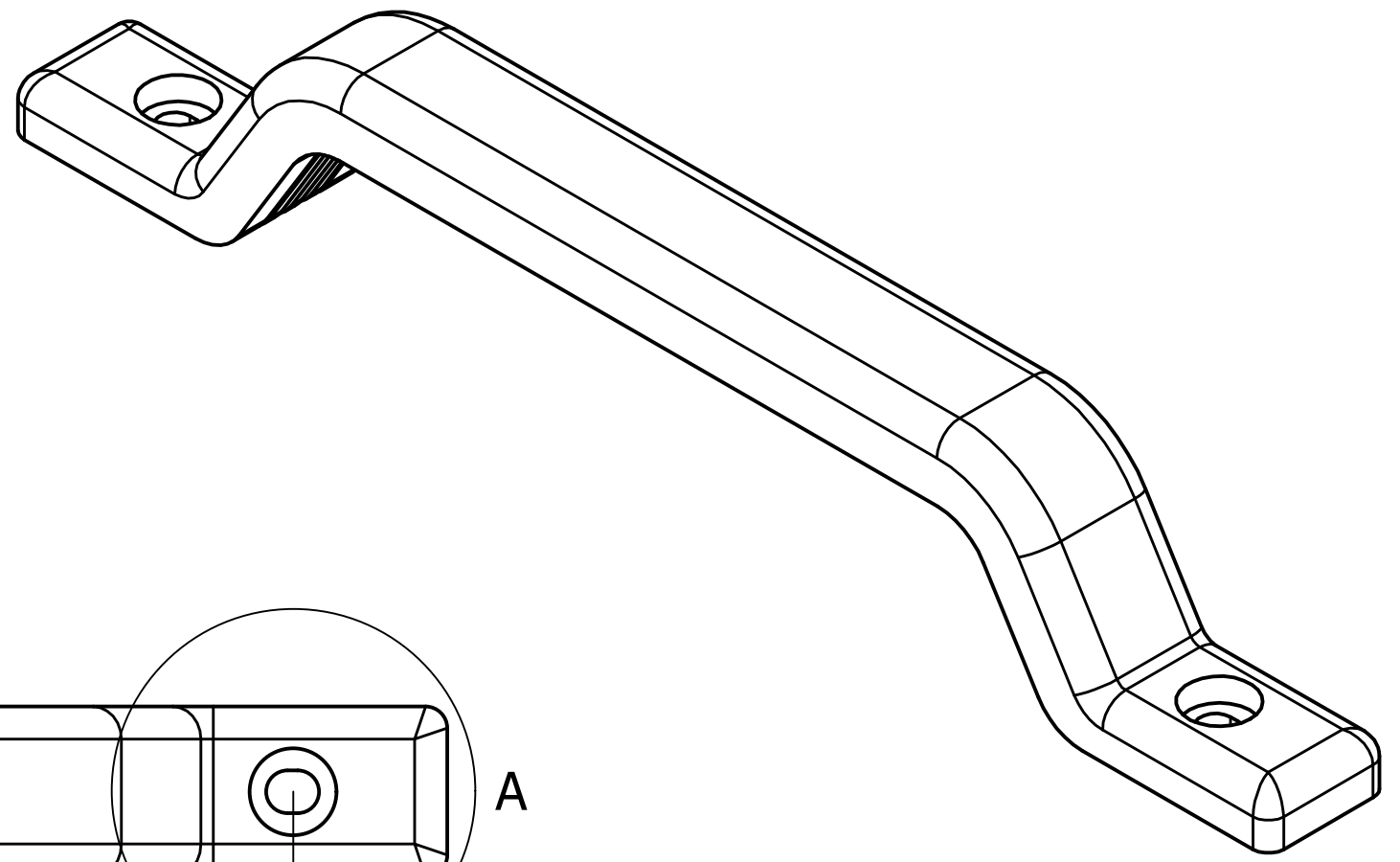


DETAIL A
(2 : 1)
2 PLACES



1	VALIDATION COMPLETE	16/02/17	A.P
REV	DESCRIPTION	DATE	APPROVED

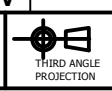
GENERAL TOLERANCES ON LENGTHS
0.5 - 6 ± 0.1mm
6 - 30 ± 0.2mm
30 - 120 ± 0.3mm
120 - 400 ± 0.5mm
400 - 1000 ± 0.8mm
1000 - 1200 ± 1.2mm
2000 - 4000 ± 2.0mm

ALBERT JAGGER LTD
GREEN LANE
WALSALL PHONE: 01922 471000
WEST MIDLANDS FAX: 01922 648021
WS2 8HG

THIS DRAWING & THE DESIGN SHOWN ARE THE PROPERTY OF ALBERT JAGGER LTD AND MUST NOT BE USED OR COPIED BY A THIRD PARTY WITHOUT PERMISSION

DRAWN BY
U.F

CHECKED BY
A.P



SCALE
1:1

MATERIAL
PC/ABS Plastic

MASS
0.025 kg

FINISH
Black

Date
01/02/2017

ALL DIMS IN MM UNLESS STATED DO NOT SCALE

A3



RIGID PLASTIC PULL HANDLE - 246 O/A

0790-001

Edition
1

Sheet
1 / 1