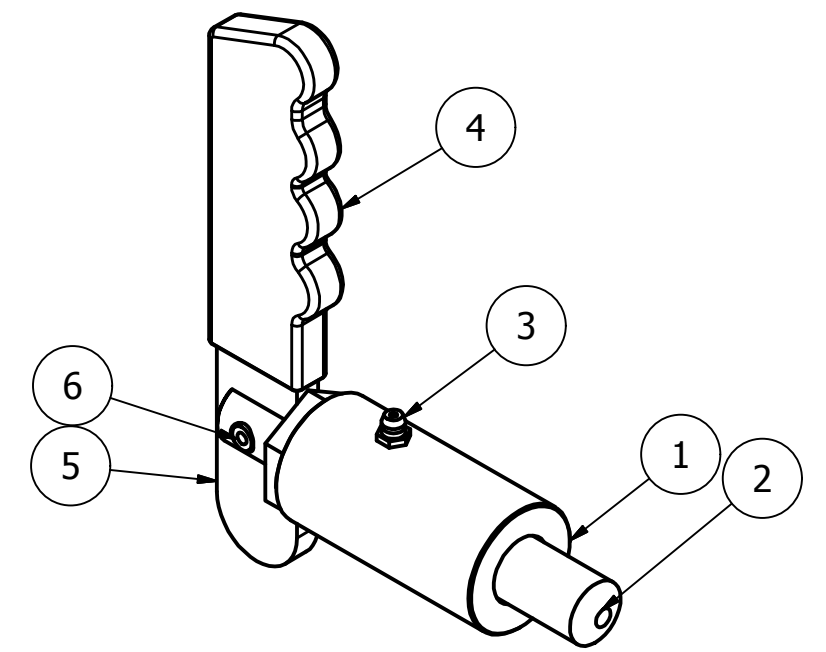
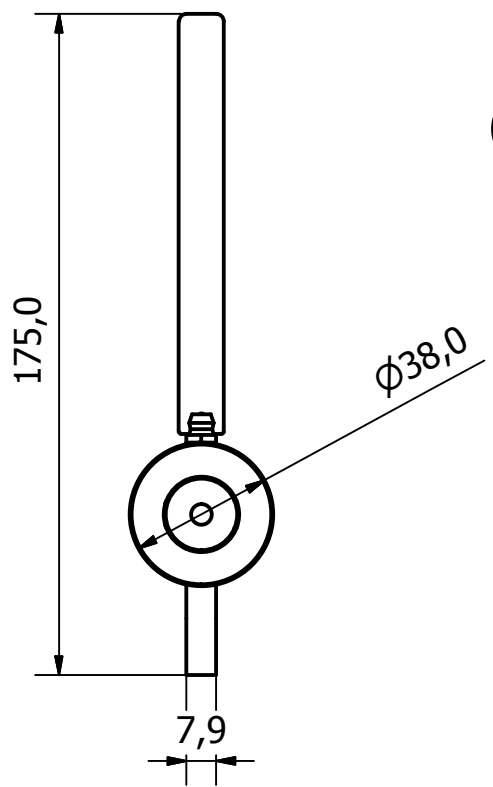
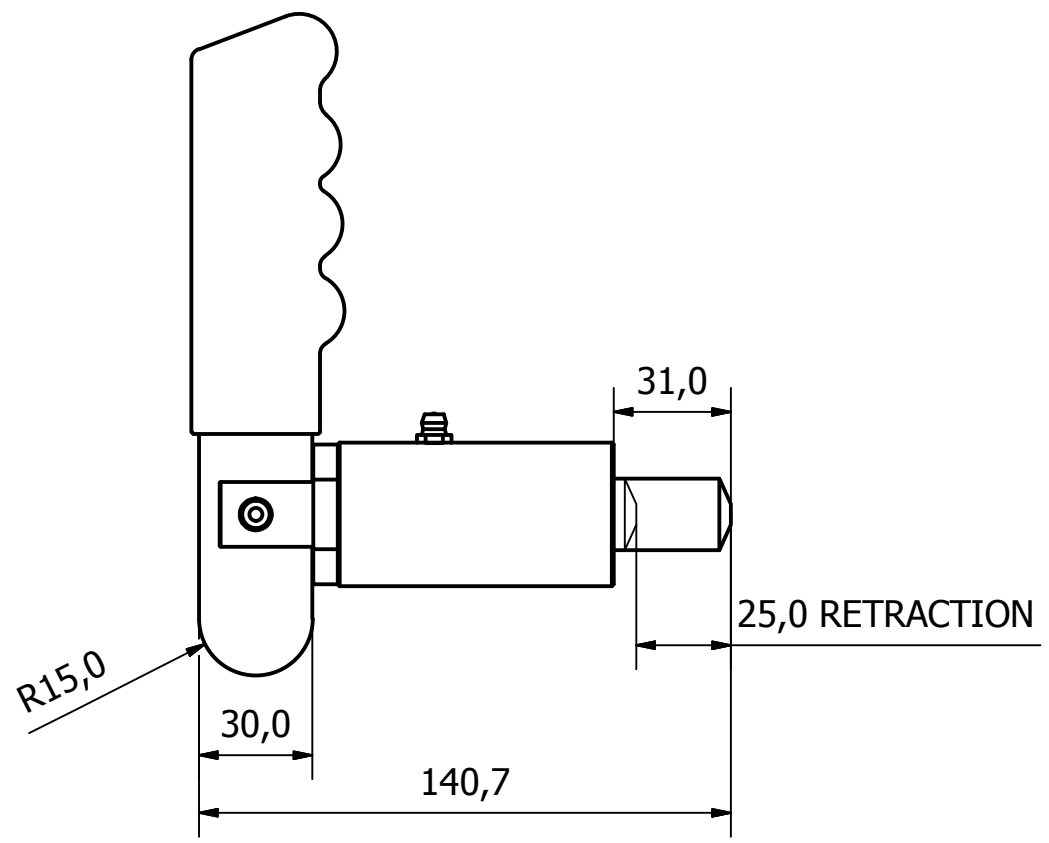


PARTS LIST			
ITEM	QTY	PART NUMBER	DESCRIPTION
1	1	0838-002-1	M/STEEL SPRING BOLT BODY
2	1	0838-0021-1	M/STEEL SPRING BOLT PULL ROD
3	1	0834-010-5	M/STEEL GREASE NIPPLE
4	1	0838-0021-3	BLACK PLASTIC LEVER GRIP COVER
5	1	0838-0021-2	M/STEEL ZINC PLATED LEVER
6	1	0838-0021-4	M/STEEL RETAINING PIN



1	VALIDATION COMPLETE	15/02/17	A.P
REV	DESCRIPTION	DATE	APPROVED

GENERAL TOLERANCES ON LENGTHS
0.5 - 6 ± 0.1mm
6 - 30 ± 0.2mm
30 - 120 ± 0.3mm
120 - 400 ± 0.5mm
400 - 1000 ± 0.8mm
1000 - 1200 ± 1.2mm
2000 - 4000 ± 2.0mm

ALBERT JAGGER LTD
 GREEN LANE
 WALSALL PHONE: 01922 471000
 WEST MIDLANDS FAX: 01922 648021
 WS2 8HG

THIS DRAWING & THE DESIGN SHOWN ARE THE PROPERTY OF ALBERT JAGGER LTD AND MUST NOT BE USED OR COPIED BY A THIRD PARTY WITHOUT PERMISSION

DRAWN BY U.F	CHECKED BY A.P	SCALE 1:2	MATERIAL -	MASS 1.020 kg	FINISH NATURAL	Date 03/01/2017	ALL DIMS IN MM UNLESS STATED DO NOT SCALE	A3
							H/DUTY SPRING BOLT - CAM ACTION LEVER	
0838-0021							Edition 1	Sheet 1 / 1