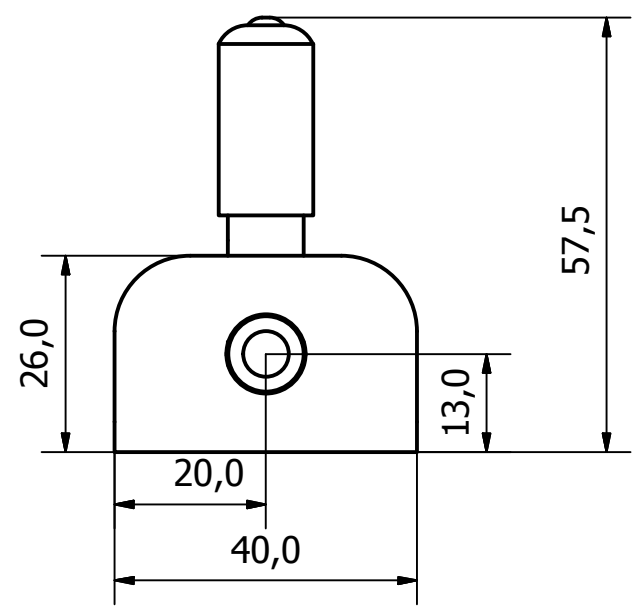
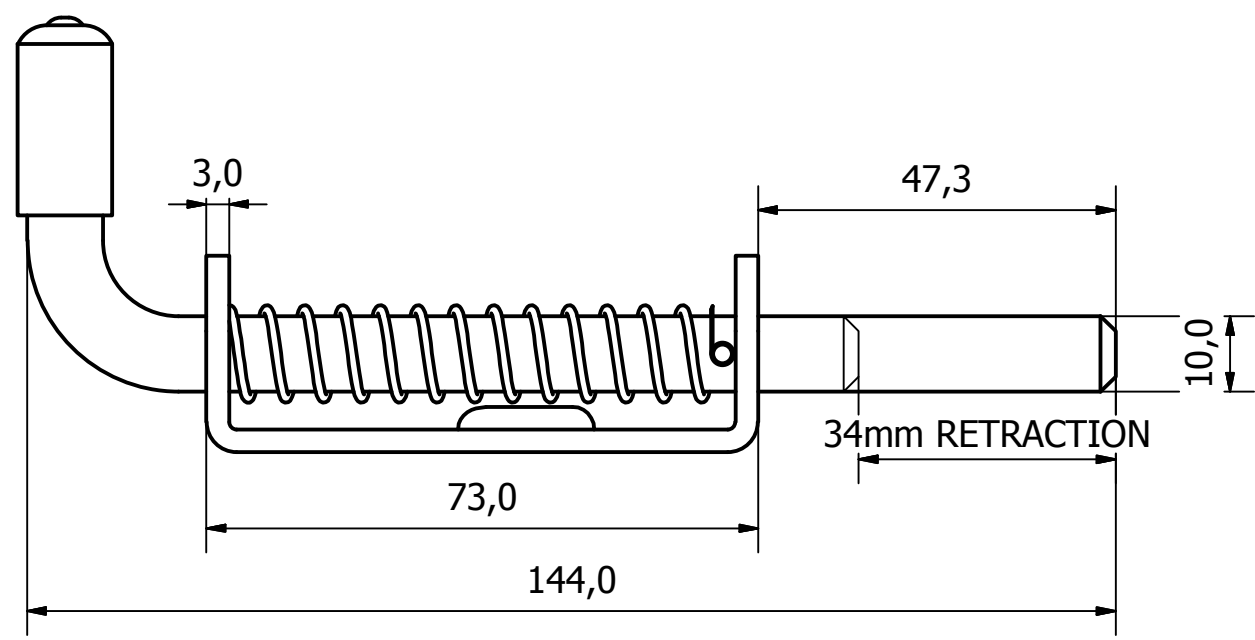
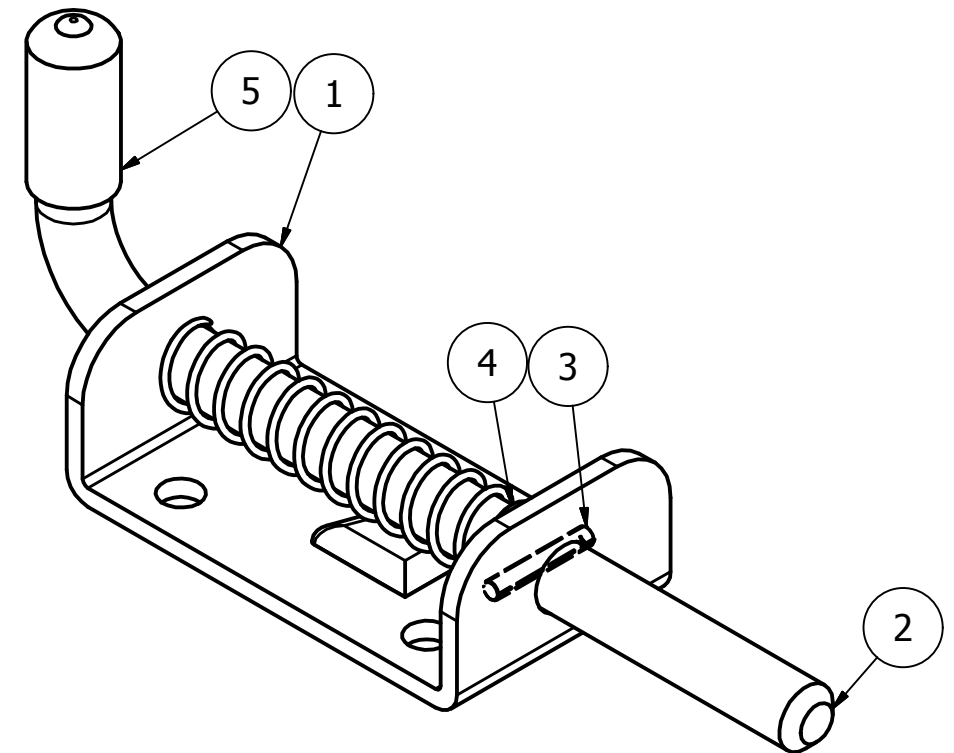
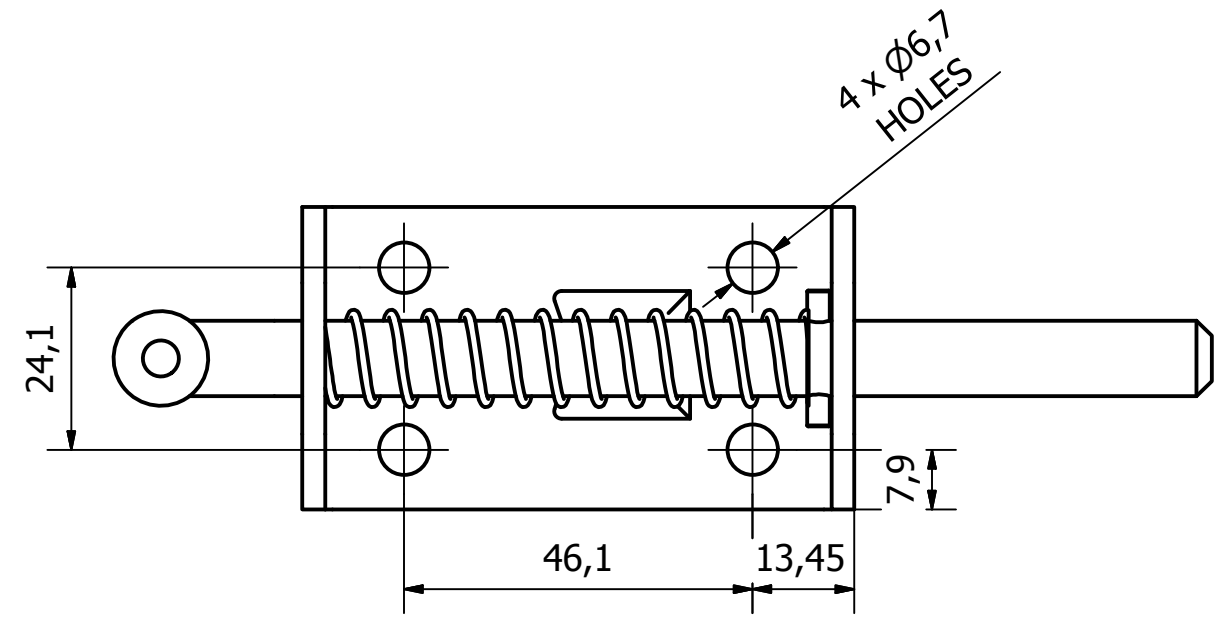


PARTS LIST				
ITEM	QTY	PART NUMBER	DESCRIPTION	
1	1	0839-001-1	M/STEEL SPRING BOLT BASE PLATE	
2	1	0839-001-2	M/STEEL 90 DEG BOLT - 265 O/A	
3	1	0839-001-4	M/STEEL BOLT PIN - 40 O/A	
4	1	0839-001-5	M/STEEL SPRING	
5	1	0839-001-3	RED PLASTIC CAP	



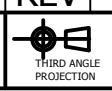
1	VALIDATION COMPLETE	07/12/16	A.P
REV	DESCRIPTION	DATE	APPROVED

GENERAL TOLERANCES ON LENGTHS
0.5 - 6 ± 0.1mm
6 - 30 ± 0.2mm
30 - 120 ± 0.3mm
120 - 400 ± 0.5mm
400 - 1000 ± 0.8mm
1000 - 1200 ± 1.2mm
2000 - 4000 ± 2.0mm

ALBERT JAGGER LTD  
 GREEN LANE  
 WALSALL PHONE: 01922 471000  
 WEST MIDLANDS FAX: 01922 648021  
 WS2 8HG

THIS DRAWING & THE DESIGN SHOWN  
 ARE THE PROPERTY OF ALBERT JAGGER LTD  
 AND MUST NOT BE USED OR COPIED BY A  
 THIRD PARTY WITHOUT PERMISSION

DRAWN BY U.F  
 CHECKED BY A.P



SCALE 1:1

MATERIAL -

MASS 0.210 kg

FINISH Z/C PASSIVATE

Date 25/11/2016

ALL DIMS IN MM UNLESS STATED DO NOT SCALE

A3



10mm SPRING BOLTS	
0839-001	Edition 1 / Sheet 1 / 1