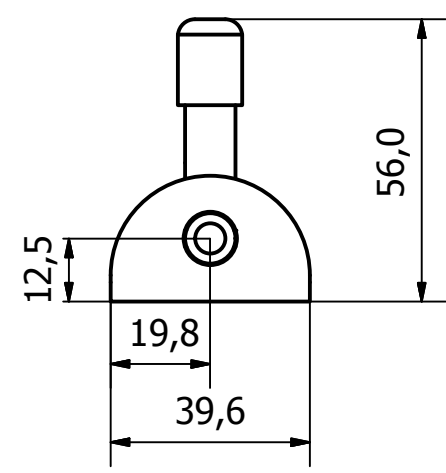
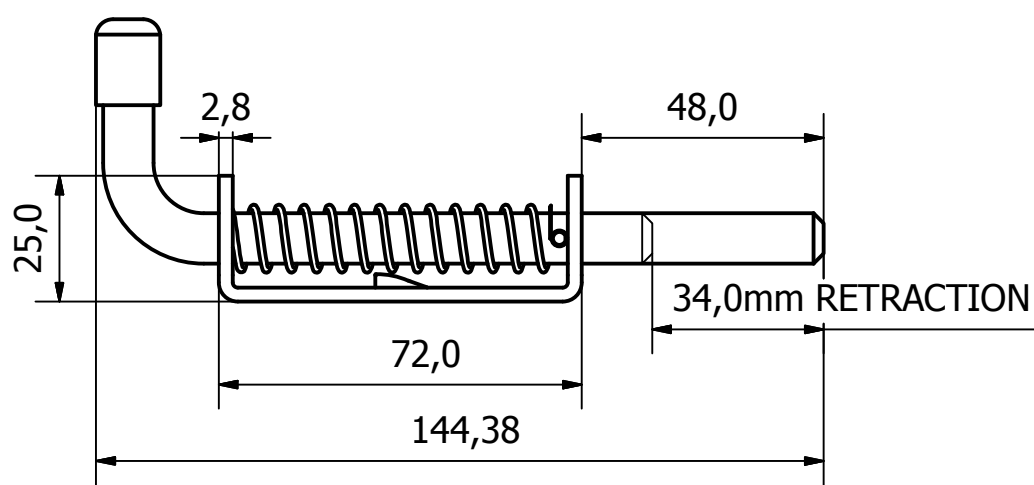
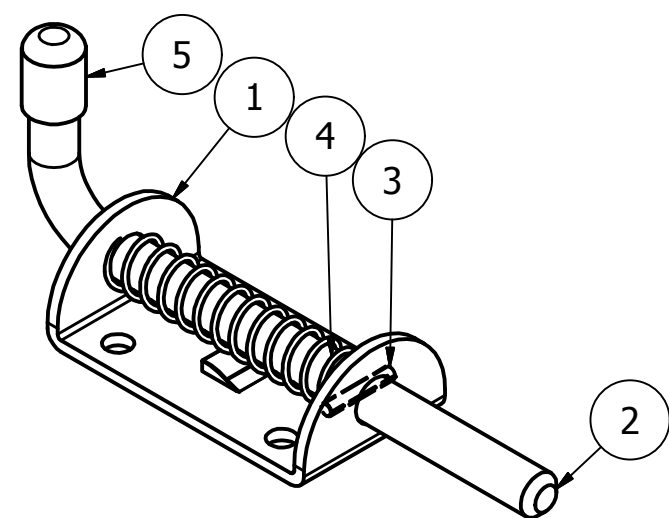
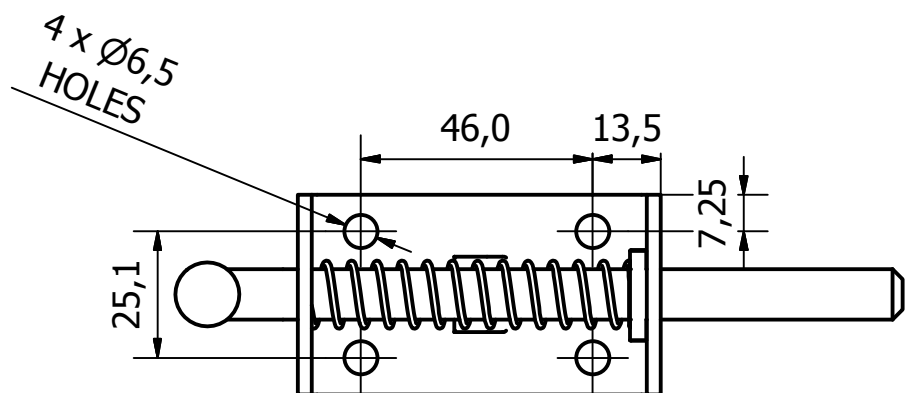


PARTS LIST			
ITEM	QTY	PART NUMBER	DESCRIPTION
1	1	0839-002-1	S/STEEL SPRING BOLT BASE PLATE
2	1	0839-002-2	S/STEEL 90 DEG BOLT - 144 O/A
3	1	0839-002-4	S/STEEL BOLT PIN - 18 O/A
4	1	0839-002-5	S/STEEL SPRING
5	1	0839-002-3	RED PLASTIC CAP



1	VALIDATION COMPLETE	15/02/17	A.P
REV	DESCRIPTION	DATE	APPROVED

GENERAL TOLERANCES ON LENGTHS
0.5 - 6 ± 0.1mm
6 - 30 ± 0.2mm
30 - 120 ± 0.3mm
120 - 400 ± 0.5mm
400 - 1000 ± 0.8mm
1000 - 1200 ± 1.2mm
2000 - 4000 ± 2.0mm

ALBERT JAGGER LTD  
 GREEN LANE  
 WALSALL PHONE: 01922 471000  
 WEST MIDLANDS FAX: 01922 648021  
 WS2 8HG

THIS DRAWING & THE DESIGN SHOWN ARE THE PROPERTY OF ALBERT JAGGER LTD AND MUST NOT BE USED OR COPIED BY A THIRD PARTY WITHOUT PERMISSION

DRAWN BY U.F	CHECKED BY A.P	SCALE 1:1.5	MATERIAL -	MASS 0.197 kg	FINISH NATURAL	Date 06/12/2016	ALL DIMS IN MM UNLESS STATED DO NOT SCALE	A3
						S/STEEL 10mm SPRING BOLT		
0839-002						Edition 1	Sheet 1 / 1	