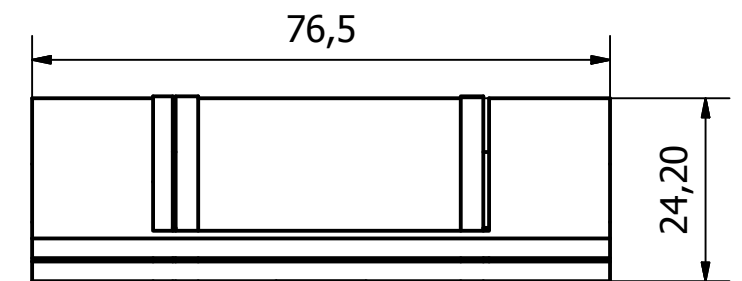
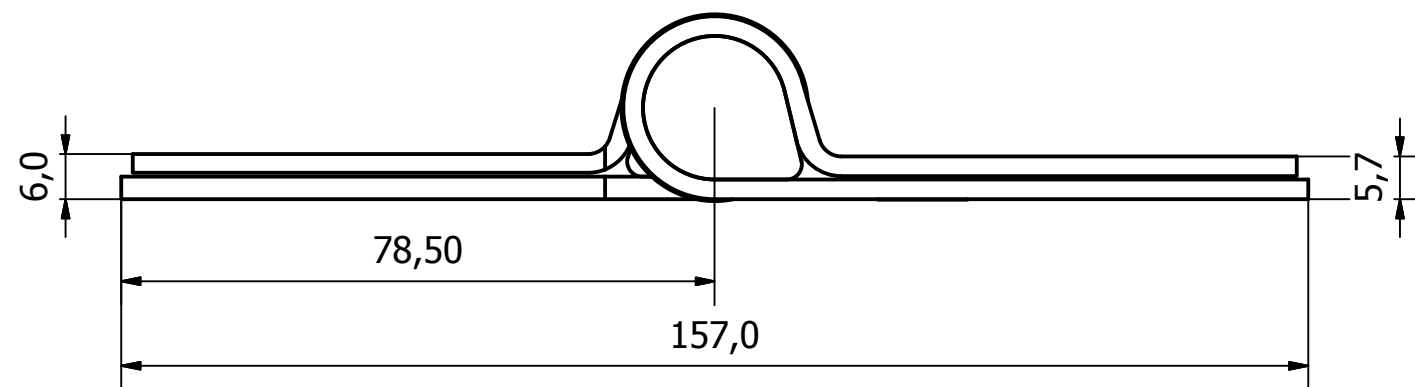
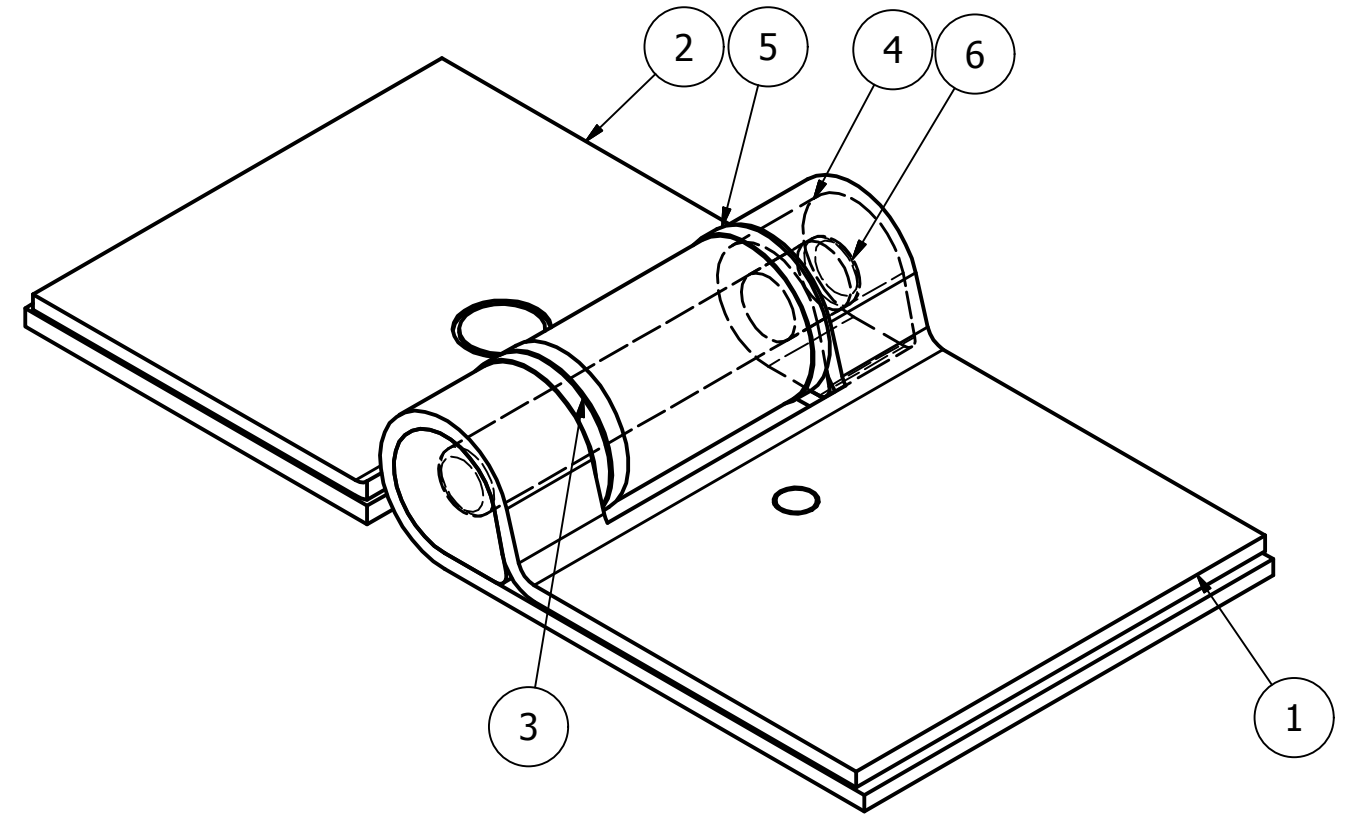
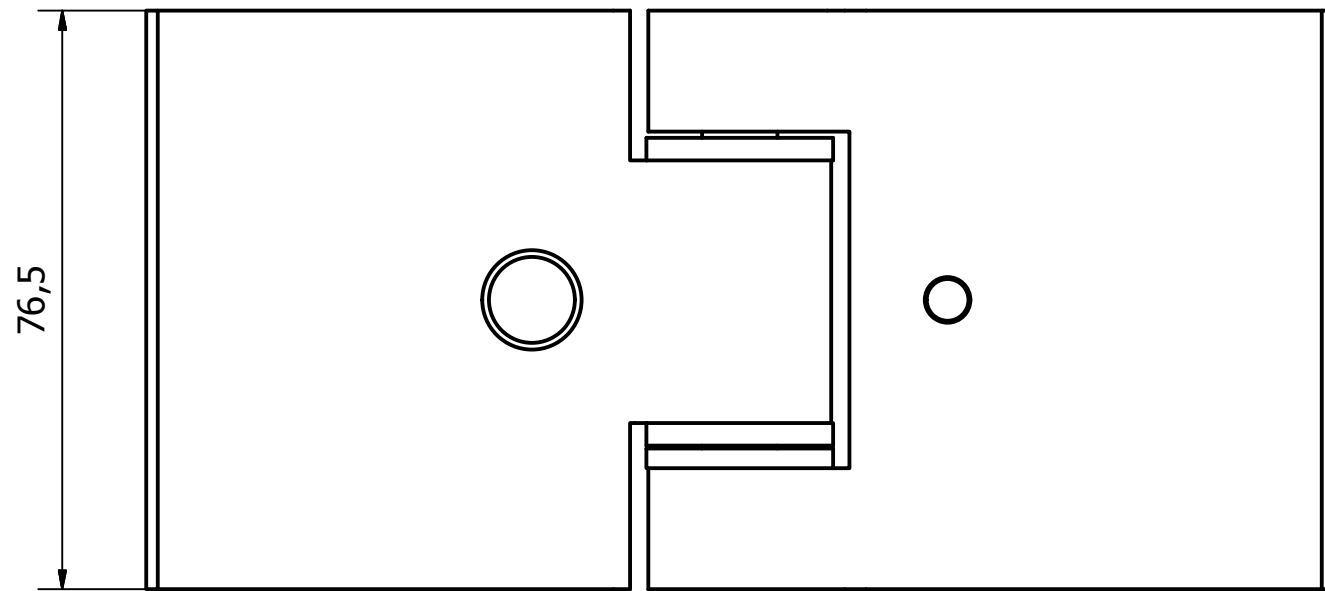


PARTS LIST			
ITEM	QTY	PART NUMBER	DESCRIPTION
1	1	0855-002-1	M/STEEL MAIN HINGE FLAP
2	1	0855-002-2	M/STEEL MOUNTING HINGE FLAP
3	1	0855-001-3	SHOULDERED NYLON BUSH
4	1	0855-001-4	NON-SHOULDERED NYLON BUSH
5	1	0855-001-5	DOUBLE SHOULDERED BUSH
6	1	0855-001-6	M/STEEL HINGE PIN



NOTE:
HINGE DESIGNED FOR 270° APPLICATIONS

GENERAL TOLERANCES ON LENGTHS
0.5 - 6 ± 0.1mm
6 - 30 ± 0.2mm
30 - 120 ± 0.3mm
120 - 400 ± 0.5mm
400 - 1000 ± 0.8mm
1000 - 1200 ± 1.2mm
2000 - 4000 ± 2.0mm

ALBERT JAGGER LTD
GREEN LANE
WALSALL PHONE: 01922 471000
WEST MIDLANDS FAX: 01922 648021
WS2 8HG

THIS DRAWING & THE DESIGN SHOWN ARE THE PROPERTY OF ALBERT JAGGER LTD AND MUST NOT BE USED OR COPIED BY A THIRD PARTY WITHOUT PERMISSION

DRAWN BY

U.F

CHECKED BY

A.P



SCALE

1 : 1

MATERIAL

-

MASS

0.579 kg

FINISH

NATURAL

Date

03/11/2016

ALL DIMS IN MM UNLESS STATED DO NOT SCALE

A3

REV	DESCRIPTION	DATE	APPROVED
1	VALIDATION COMPLETE	23/11/16	A.P



COACH HINGE - RH	
0855-002	Edition 1 / Sheet 1 / 1