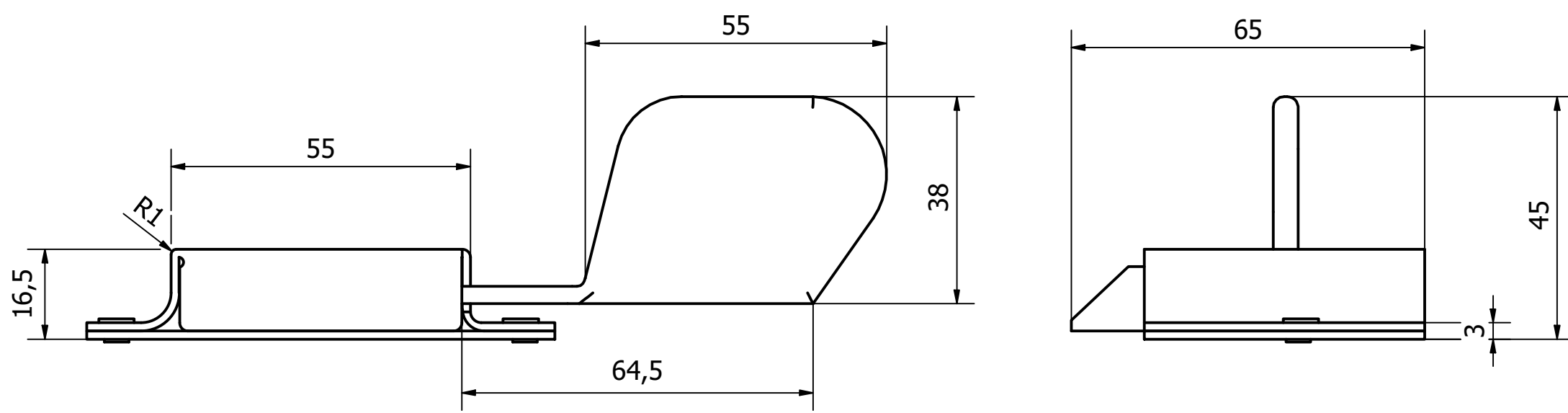
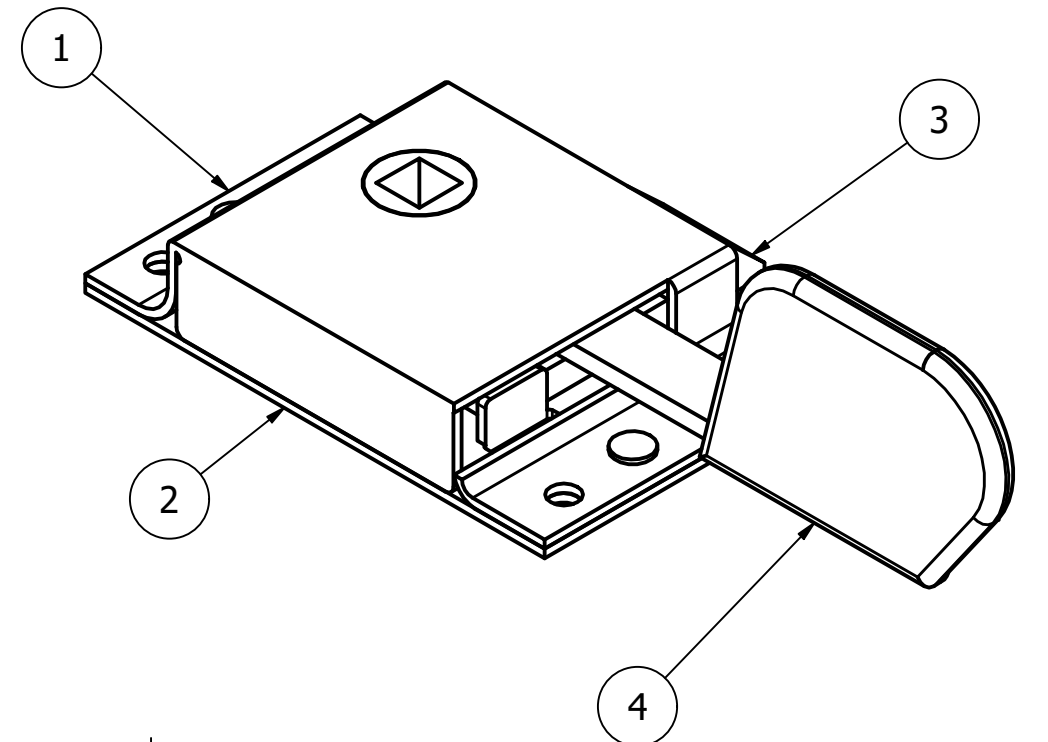


PARTS LIST			
ITEM	QTY	PART NUMBER	DESCRIPTION
1	1	0860-002-1	M/STEEL- LOCK BODY -Z/C PASSIVATE
2	1	0860-002-2	M/STEEL- BASE PLATE- Z/C PASSIVATE
3	1	0860-001-3	IRON TONGUE-NATURAL
4	1	0860-002-4	M/STEEL LEVER & PLASTIC HANDLE



1	VALIDATION COMPLETE	26/11/21	C.H
REV	DESCRIPTION	DATE	APPROVED

GENERAL TOLERANCES ON LENGTHS 0.5 - 6 ± 0.1mm 6 - 30 ± 0.2mm 30 - 120 ± 0.3mm 120 - 400 ± 0.5mm 400 - 1000 ± 0.8mm 1000 - 2000 ± 1.2mm 2000 - 4000 ± 2.0mm
--

ALBERT JAGGER LTD  
 GREEN LANE  
 WALSALL PHONE: 01922 471000  
 WEST MIDLANDS FAX: 01922 648021  
 WS2 8HG

THIS DRAWING & THE DESIGN SHOWN  
 ARE THE PROPERTY OF ALBERT JAGGER LTD  
 AND MUST NOT BE USED OR COPIED BY A  
 THIRD PARTY WITHOUT PERMISSION

DRAWN BY	CHECKED BY	SCALE	MATERIAL	MASS	FINISH	Date	ALL DIMS IN MM UNLESS STATED DO NOT SCALE
S.R	C.H	1 : 1	SEE TABLE	0.205 kg	SEE TABLE	03/11/2021	A3



**SLAM LOCK - WITH HANDLE, RIGHT HAND**

0860-002

Edition	Sheet
1	1 / 1