

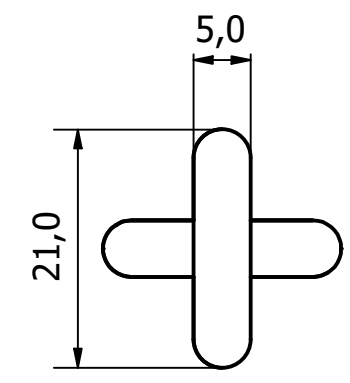
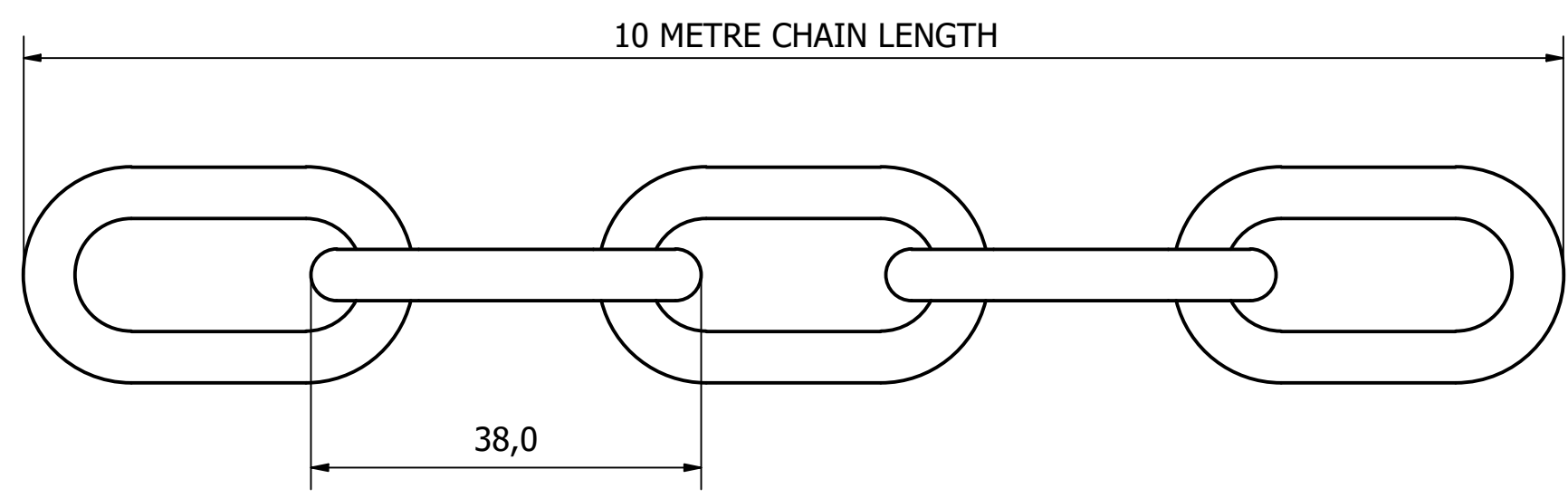
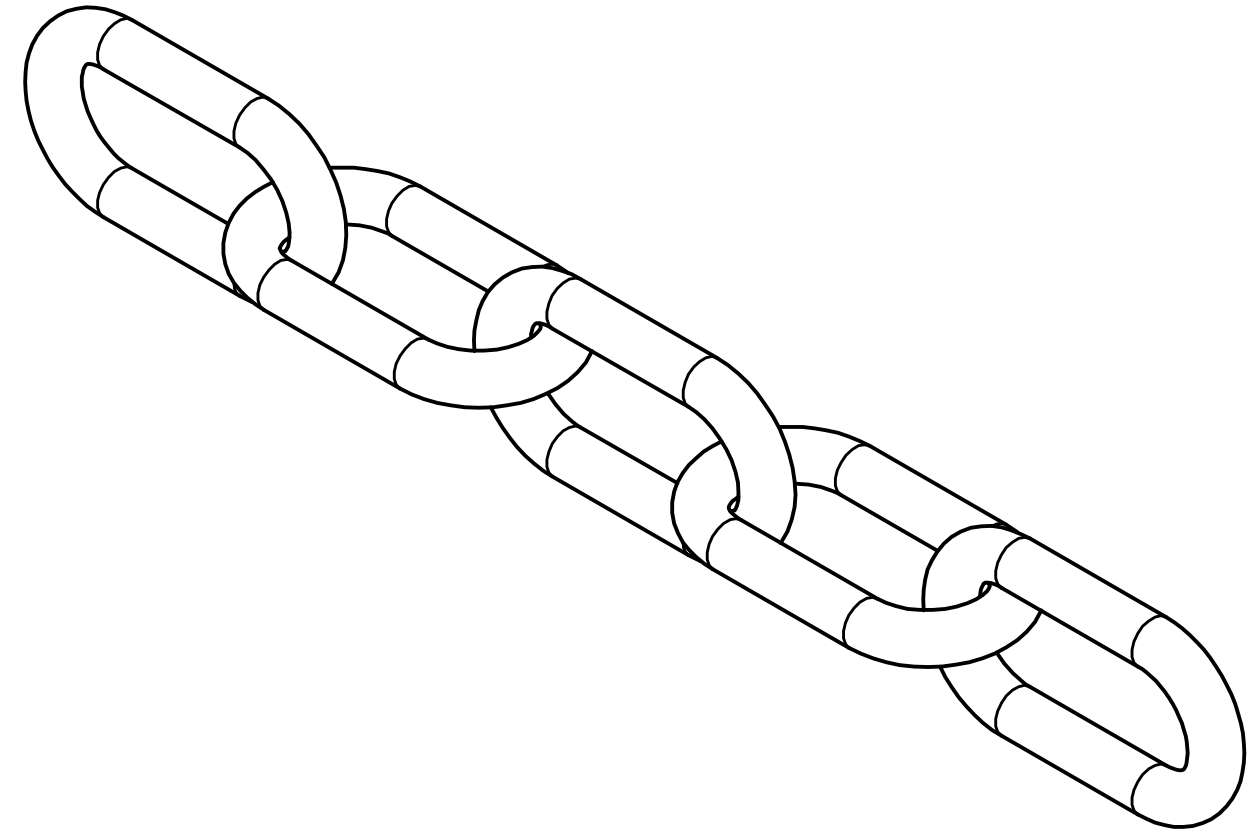
6 1 5 1 4 3 1 2 1 1

D D


C C

B B

A A



2	NOTE MODIFIED	26/01/21	U.F
1	VALIDATION COMPLETE	08/07/19	A.P
REV	DESCRIPTION	DATE	APPROVED

NOTE:  2

SAFE WORKING LOAD - 160kg \*  
(\* UNCERTIFIED TEST LOAD)

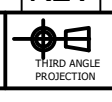
GENERAL TOLERANCES ON LENGTHS	
0.5 - 6 ± 0.1mm	
6 - 30 ± 0.2mm	
30 - 120 ± 0.3mm	
120 - 400 ± 0.5mm	
400 - 1000 ± 0.8mm	
1000 - 2000 ± 1.2mm	
2000 - 4000 ± 2.0mm	

ALBERT JAGGER LTD  
GREEN LANE  
WALSALL PHONE: 01922 471000  
WEST MIDLANDS FAX: 01922 648021  
WS2 8HG

THIS DRAWING & THE DESIGN SHOWN ARE THE PROPERTY OF ALBERT JAGGER LTD AND MUST NOT BE USED OR COPIED BY A THIRD PARTY WITHOUT PERMISSION

DRAWN BY  
A.S

CHECKED BY  
A.P



SCALE  
1.5 : 1

MATERIAL  
M/STEEL

MASS  
0.065 kg

FINISH  
NATURAL

Date  
25/04/2019

ALL DIMS IN MM UNLESS STATED DO NOT SCALE

A3



STRAIGHT LINK CHAIN - 10m LENGTH

0896-1528

Edition 2	Sheet 1 / 1
--------------	----------------

6 1 5 1 4 3 1 2 1 1