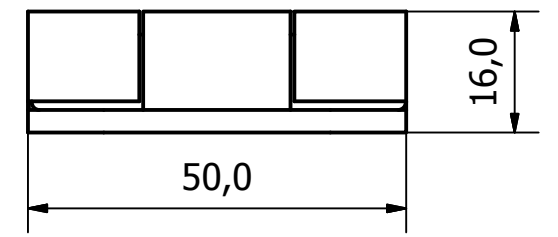
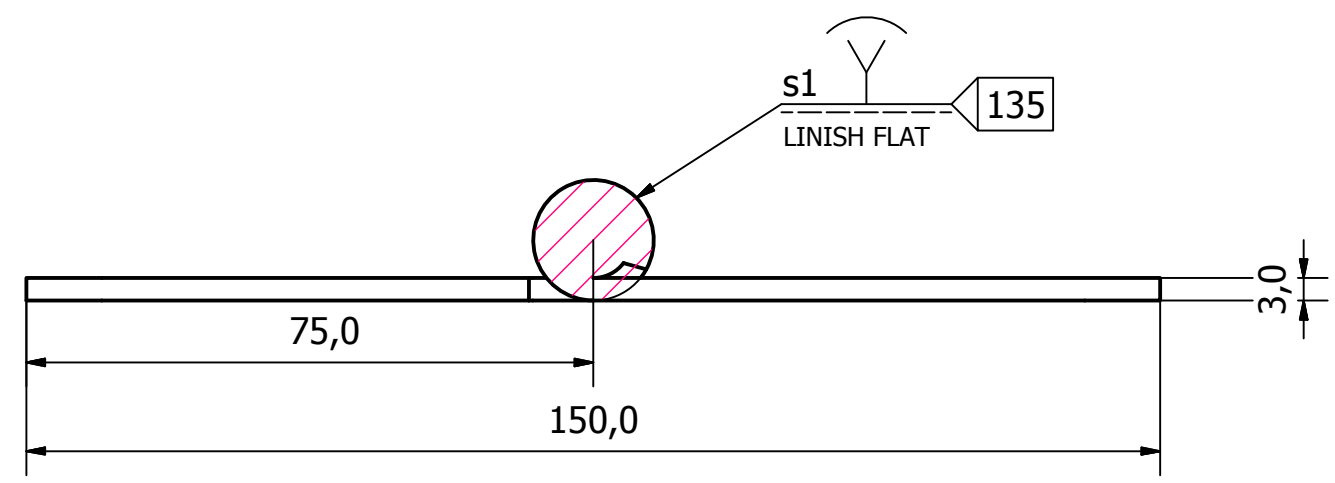
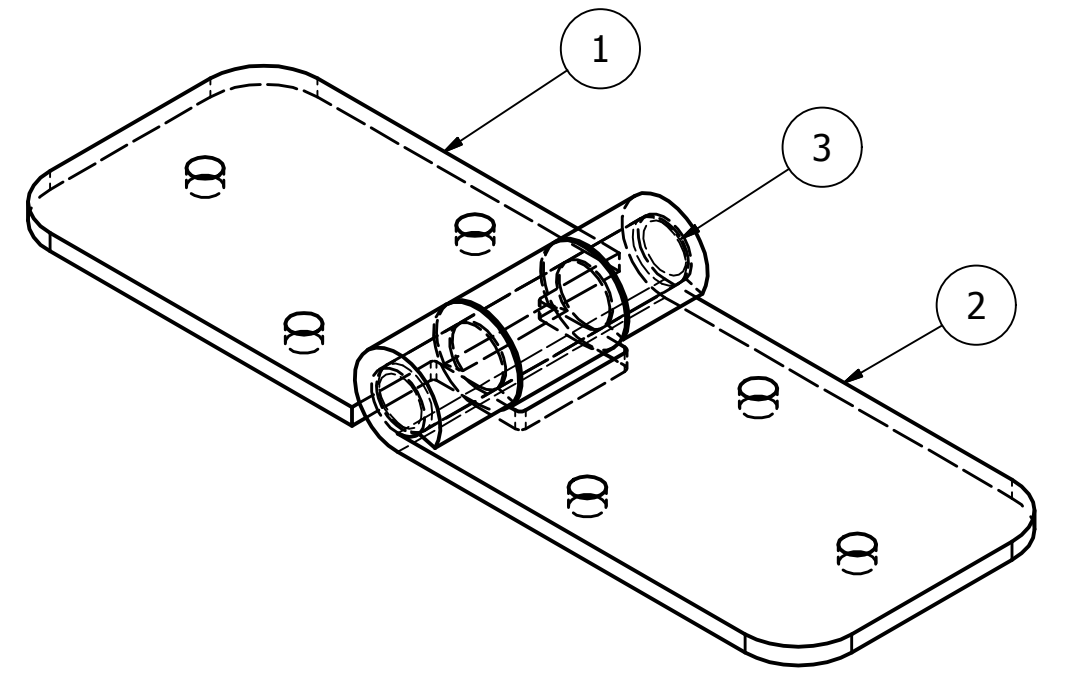
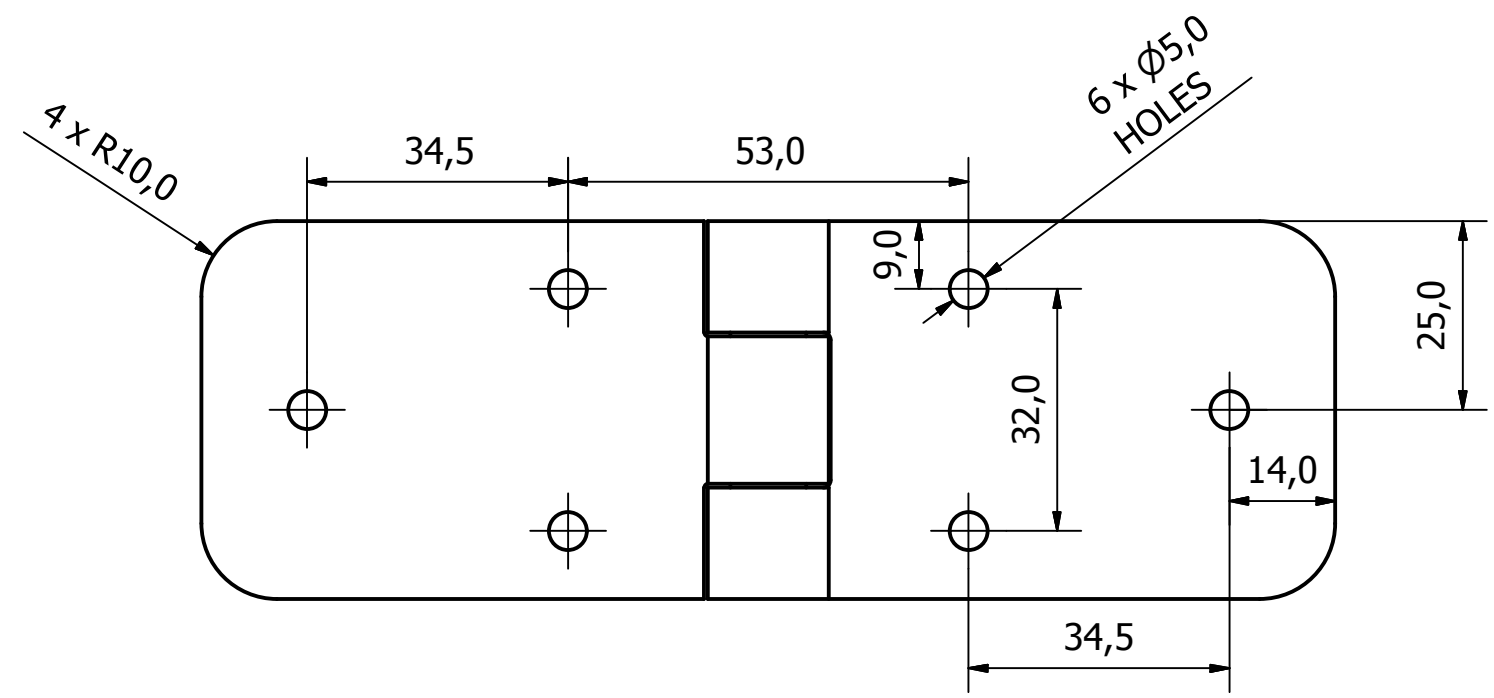


PARTS LIST

ITEM	QTY	PART NUMBER	DESCRIPTION
1	1	0948-019-1	HINGE BASE PLATE - M/STEEL
2	1	0948-019-2	HINGE MOUNTING PLATE - M/STEEL
3	1	0948-019-3	HINGE PIN - 49.5 O/A



1	VALIDATION COMPLETE	12/10/16	A.P
REV	DESCRIPTION	DATE	APPROVED

GENERAL TOLERANCES ON LENGTHS
0.5 - 6 ± 0.1mm
6 - 30 ± 0.2mm
30 - 120 ± 0.3mm
120 - 400 ± 0.5mm
400 - 1000 ± 0.8mm
1000 - 1200 ± 1.2mm
2000 - 4000 ± 2.0mm

ALBERT JAGGER LTD
 GREEN LANE
 WALSALL PHONE: 01922 471000
 WEST MIDLANDS FAX: 01922 648021
 WS2 8HG

THIS DRAWING & THE DESIGN SHOWN ARE THE PROPERTY OF ALBERT JAGGER LTD AND MUST NOT BE USED OR COPIED BY A THIRD PARTY WITHOUT PERMISSION

DRAWN BY
U.F

CHECKED BY
A.P

THIRD ANGLE PROJECTION

SCALE
1 : 1

MATERIAL
-

MASS
0.232 kg

FINISH
Z/C PASSIVATE

Date
05/10/2016

ALL DIMS IN MM UNLESS STATED DO NOT SCALE



M/S DOOR HINGE - 6 x 5mm HOLES

0948-019

Edition 1 Sheet 1 / 1