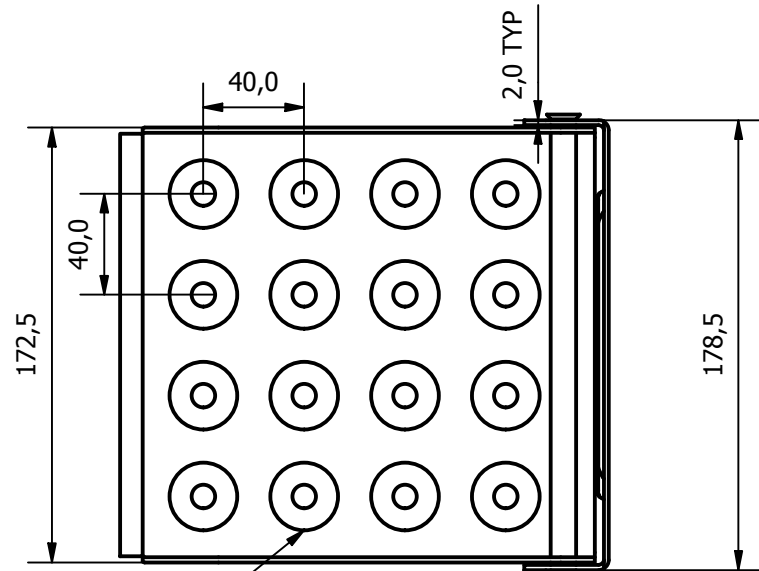
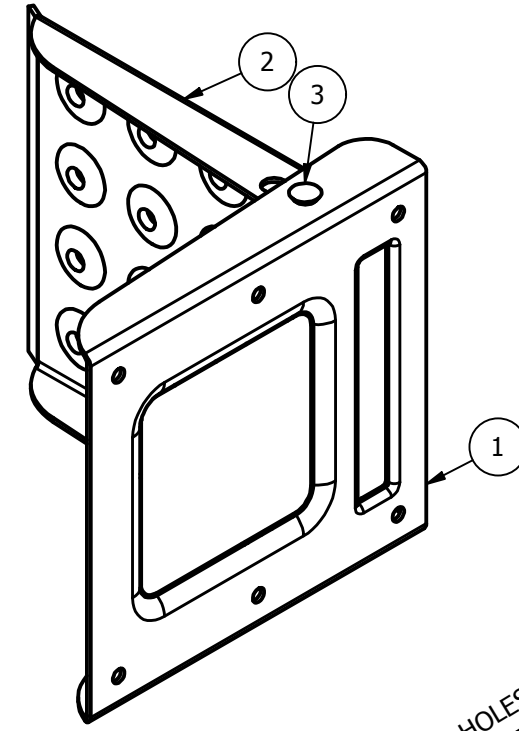
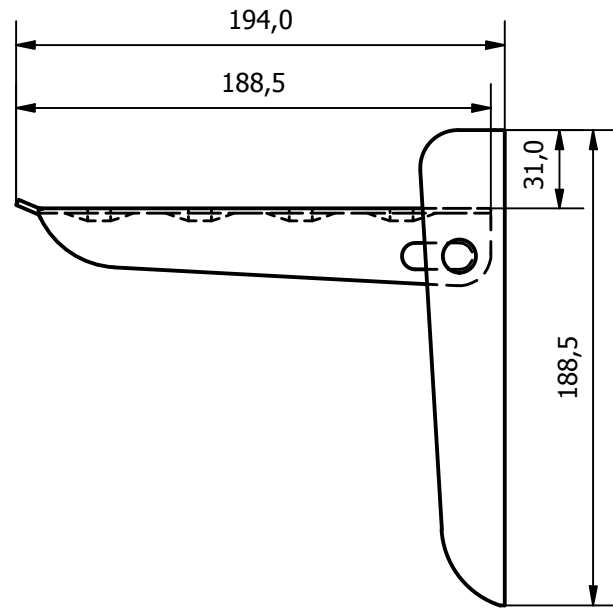
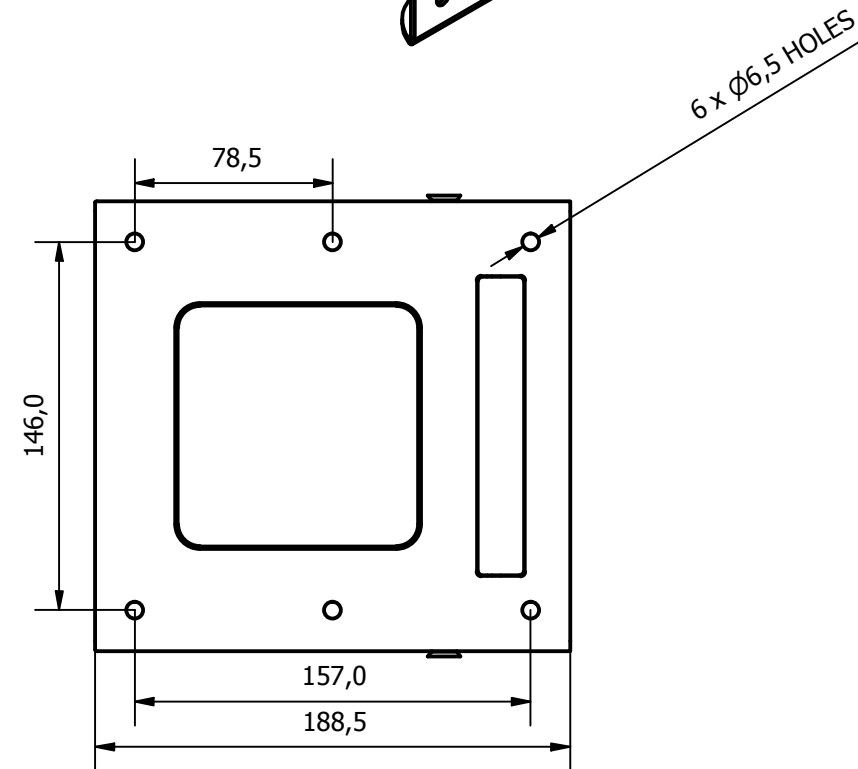


PARTS LIST			
ITEM	QTY	PART NUMBER	DESCRIPTION
1	1	0974-0062-1	M/STEEL STEP PLATE - RAL 1023
2	1	0974-0062-2	M/STEEL STEP PLATE WITH RAISED PUNCHED GRIP HOLES - RAL 1023
3	1	0974-0062-3	M/STEEL WELDED BAR - RAL 1023



16 x PRESSED GRIP PADS



1	VALIDATION COMPLETE	06/11/19	A.P
REV	DESCRIPTION	DATE	APPROVED

GENERAL TOLERANCES ON LENGTHS
0.5 - 6 ± 0.1mm
6 - 30 ± 0.2mm
30 - 120 ± 0.3mm
120 - 400 ± 0.5mm
400 - 1000 ± 0.8mm
1000 - 2000 ± 1.2mm
2000 - 4000 ± 2.0mm

ALBERT JAGGER LTD  
 GREEN LANE  
 WALSALL PHONE: 01922 471000  
 WEST MIDLANDS FAX: 01922 648021  
 WS2 8HG

THIS DRAWING & THE DESIGN SHOWN ARE THE PROPERTY OF ALBERT JAGGER LTD AND MUST NOT BE USED OR COPIED BY A THIRD PARTY WITHOUT PERMISSION

DRAWN BY	CHECKED BY	SCALE	MATERIAL	MASS	FINISH	Date	ALL DIMS IN MM UNLESS STATED DO NOT SCALE
U.F	A.P	1:3	SEE DRAWING	1.319 kg	SEE DRAWING	06/11/2019	A3



FOLDING SQUARE STEP		0974-0062	Edition 1	Sheet 1 / 1
---------------------	--	-----------	-----------	-------------