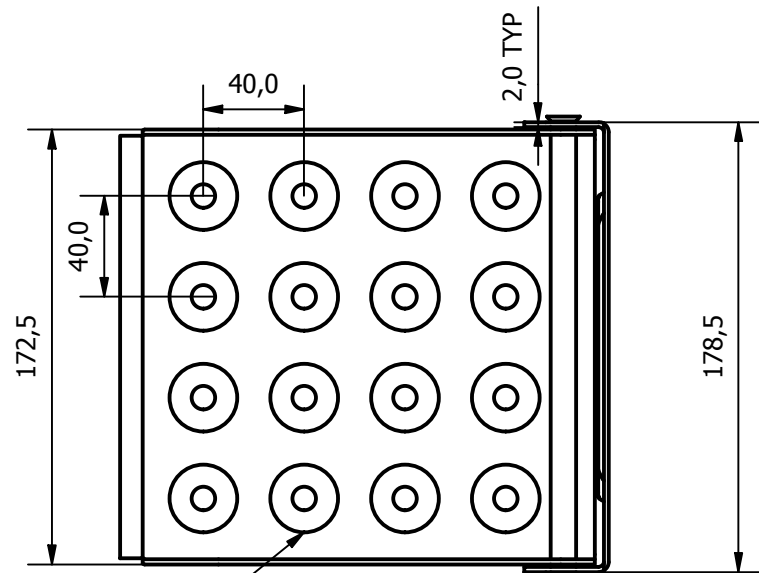
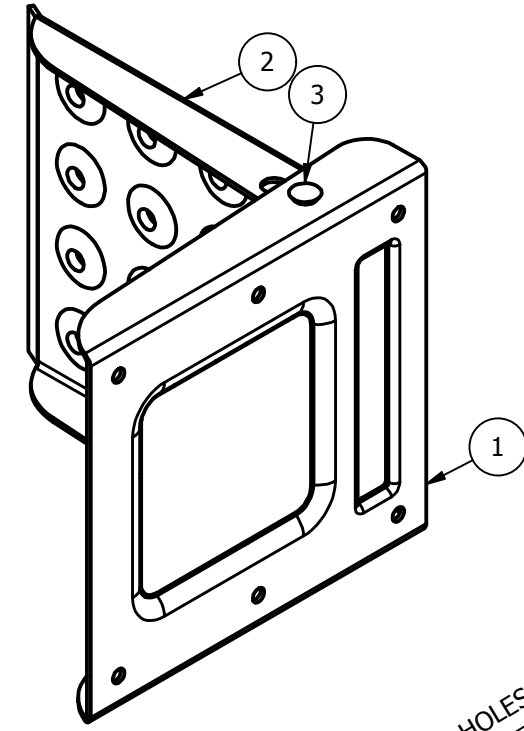
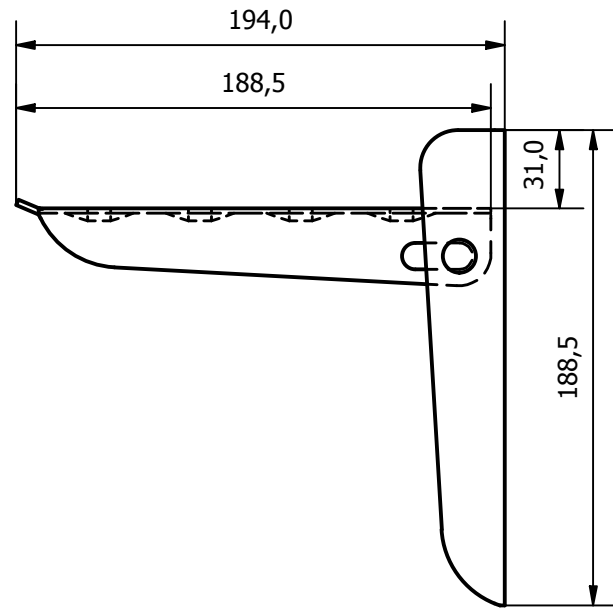
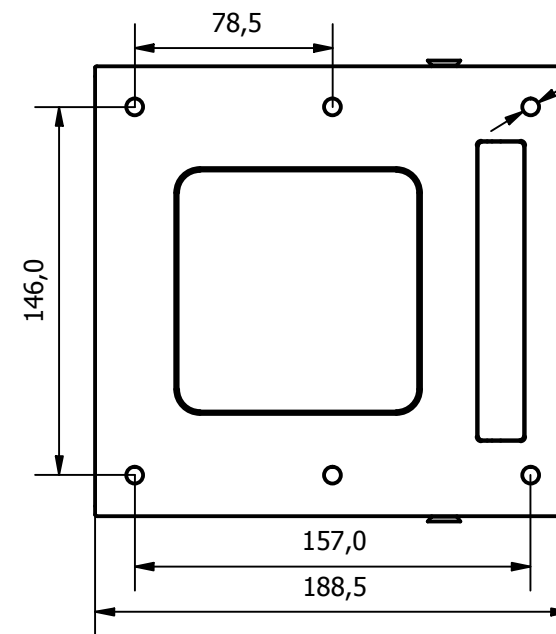


PARTS LIST			
ITEM	QTY	PART NUMBER	DESCRIPTION
1	1	0974-006-1	M/STEEL STEP PLATE - ZINC PLATED
2	1	0974-006-2	M/STEEL STEP PLATE WITH RAISED PUNCHED GRIP HOLES - ZINC PLATED
3	1	0974-006-3	M/STEEL WELDED BAR - ZINC PLATED



16 x PRESSED GRIP PADS



1	VALIDATION COMPLETE	06/11/19	A.P
REV	DESCRIPTION	DATE	APPROVED

GENERAL TOLERANCES ON LENGTHS
0.5 - 6 ± 0.1mm
6 - 30 ± 0.2mm
30 - 120 ± 0.3mm
120 - 400 ± 0.5mm
400 - 1000 ± 0.8mm
1000 - 2000 ± 1.2mm
2000 - 4000 ± 2.0mm

ALBERT JAGGER LTD  
 GREEN LANE  
 WALSALL PHONE: 01922 471000  
 WEST MIDLANDS FAX: 01922 648021  
 WS2 8HG

THIS DRAWING & THE DESIGN SHOWN ARE THE PROPERTY OF ALBERT JAGGER LTD AND MUST NOT BE USED OR COPIED BY A THIRD PARTY WITHOUT PERMISSION

DRAWN BY  
U.F

CHECKED BY  
A.P



SCALE  
1:3

MATERIAL  
SEE DRAWING

MASS  
1.319 kg

FINISH  
SEE DRAWING

Date  
06/11/2019

ALL DIMS IN MM UNLESS STATED DO NOT SCALE

A3



FOLDING SQUARE STEP	
0974-006	Sheet 1 / 1
1	1