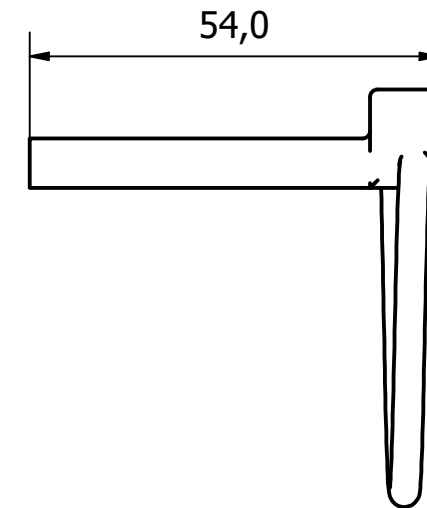
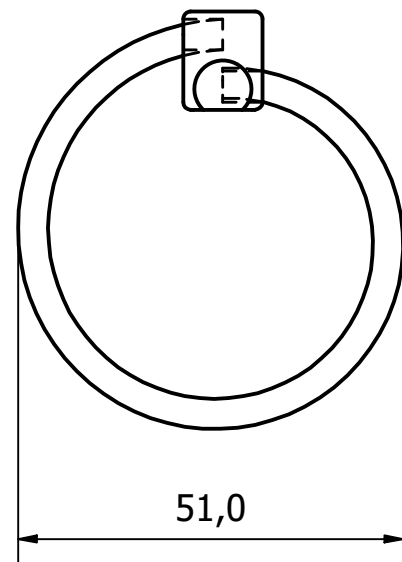
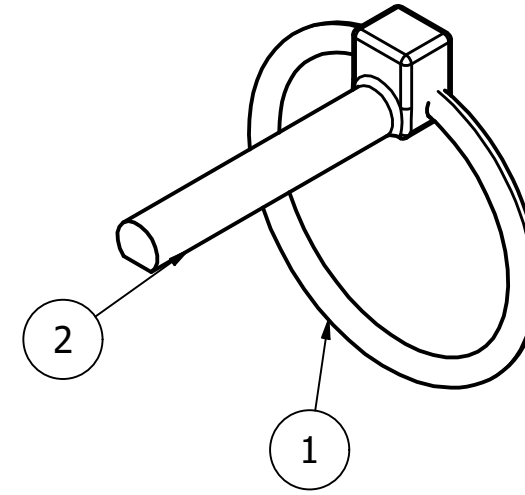
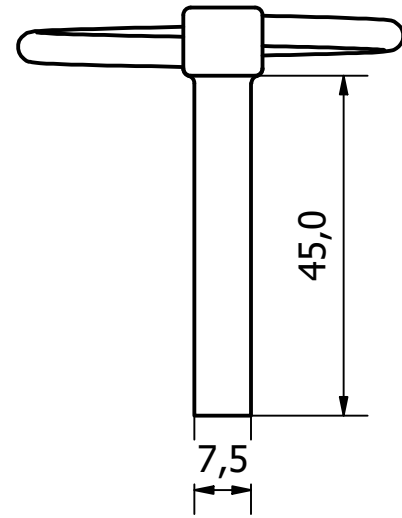


PARTS LIST			
ITEM	QTY	PART NUMBER	DESCRIPTION
1	1	1056-1008-1	316 STAINLESS STEEL SPRING RING
2	1	1056-1008-2	316 STAINLESS STEEL PIN



1	VALIDATION COMPLETE	10/01/2022	U.F
REV	DESCRIPTION	DATE	APPROVED

GENERAL TOLERANCES ON LENGTHS
0.5 - 6 ± 0.1mm
6 - 30 ± 0.2mm
30 - 120 ± 0.3mm
120 - 400 ± 0.5mm
400 - 1000 ± 0.8mm
1000 - 2000 ± 1.2mm
2000 - 4000 ± 2.0mm

ALBERT JAGGER LTD  
 GREEN LANE  
 WALSALL PHONE: 01922 471000  
 WEST MIDLANDS FAX: 01922 648021  
 WS2 8HG

THIS DRAWING & THE DESIGN SHOWN ARE THE PROPERTY OF ALBERT JAGGER LTD AND MUST NOT BE USED OR COPIED BY A THIRD PARTY WITHOUT PERMISSION

DRAWN BY  
A.S

CHECKED BY  
A.P



SCALE  
1 : 1

MATERIAL  
SEE DRAWING

MASS  
0.038 kg

FINISH  
SEE DRAWING

Date  
15/05/2019

ALL DIMS IN MM UNLESS STATED DO NOT SCALE

A3



LINCH PIN	
1056-1008	Edition 1 / Sheet 1 / 1