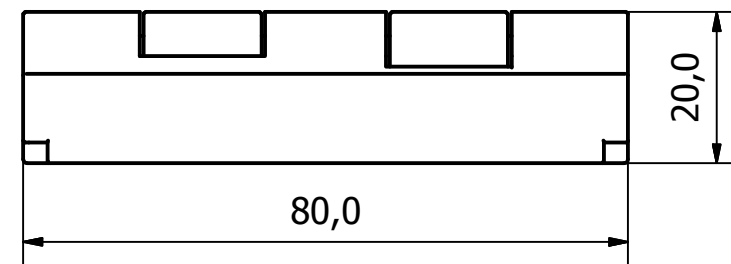
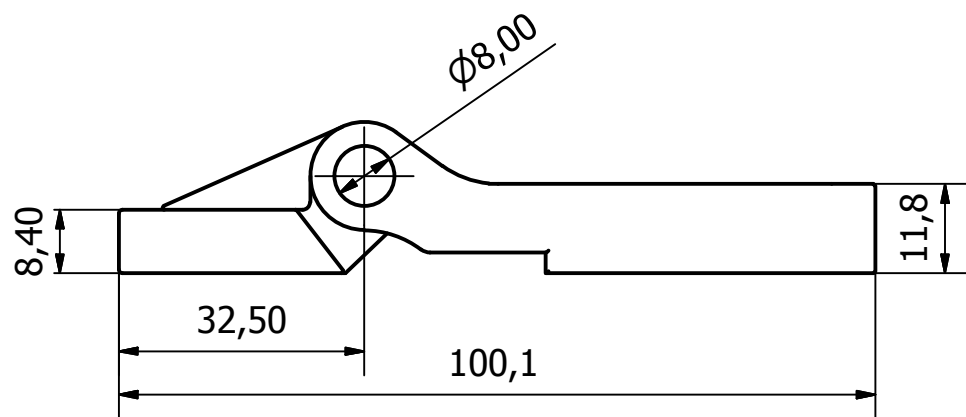
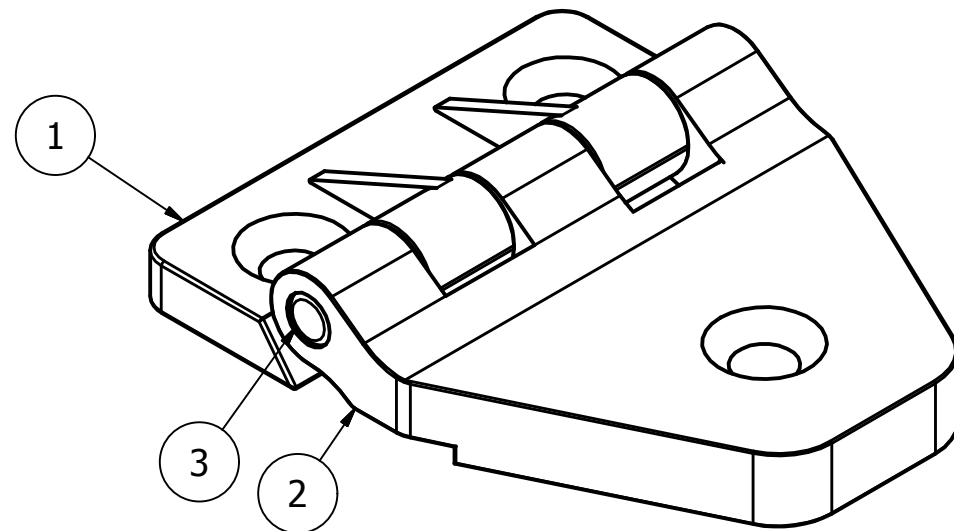
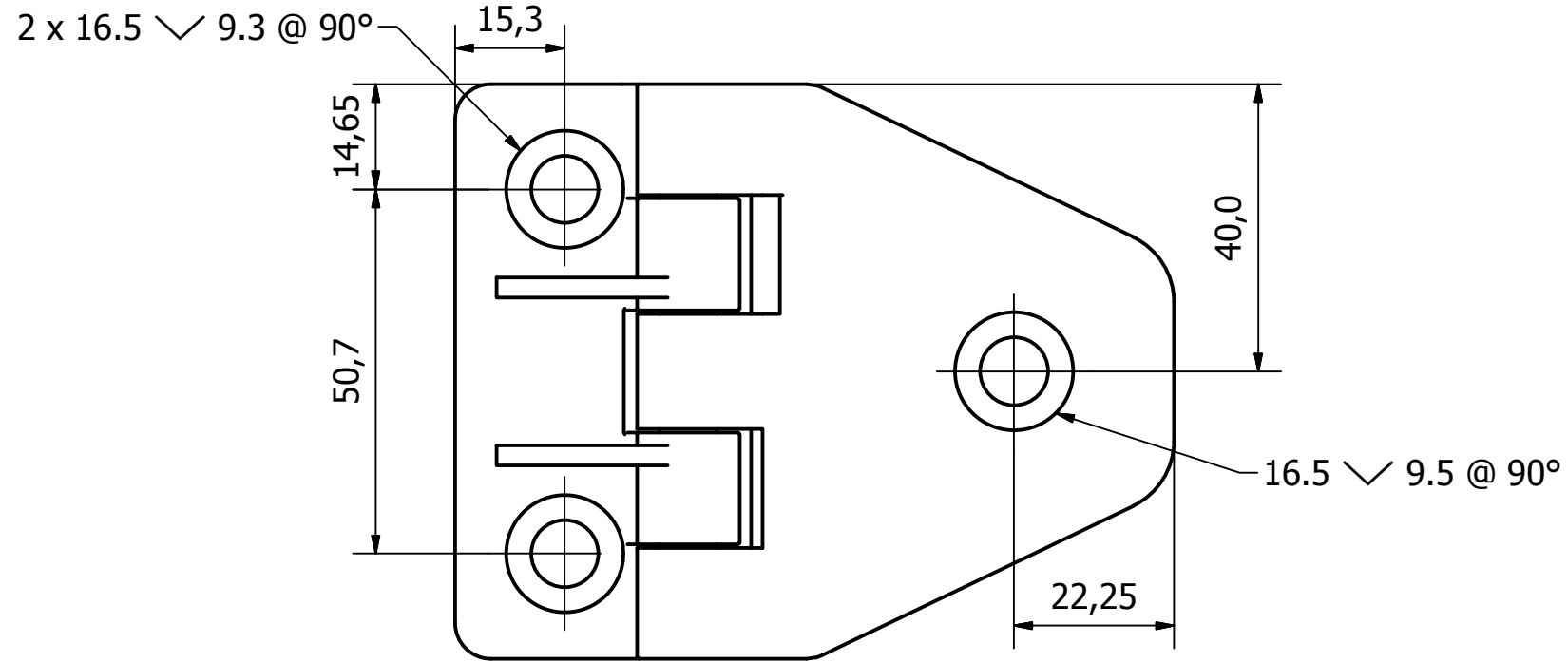


6 5 4 3 1 2 1 1

PARTS LIST			
ITEM	QTY	PART NUMBER	DESCRIPTION
1	1	1350-002-1	MAIN HINGE FLAP - PLASTIC
2	1	1350-002-2	MOUNTING HINGE FLAP - PLASTIC
3	1	1350-002-3	M/STEEL HINGE PIN - 80 O/A



NOTE:

HINGE SUPPLIED WITH GROMMET AND SPACER TO FIT 5mm (0.2") GLASS

PART No. 1350-005 IS HINGE SHOWN WITHOUT THE GROMMET AND SPACER

GENERAL TOLERANCES ON LENGTHS
0.5 - 6 ± 0.1mm
6 - 30 ± 0.2mm
30 - 120 ± 0.3mm
120 - 400 ± 0.5mm
400 - 1000 ± 0.8mm
1000 - 1200 ± 1.2mm
2000 - 4000 ± 2.0mm

ALBERT JAGGER LTD
GREEN LANE
WALSALL PHONE: 01922 471000
WEST MIDLANDS FAX: 01922 648021
WS2 8HG

THIS DRAWING & THE DESIGN SHOWN ARE THE PROPERTY OF ALBERT JAGGER LTD AND MUST NOT BE USED OR COPIED BY A THIRD PARTY WITHOUT PERMISSION

DRAWN BY

U.F

CHECKED BY

A.P



SCALE

1 : 1

MATERIAL

-

MASS

0.048 kg

FINISH

BLACK

Date

17/10/2016

ALL DIMS IN MM UNLESS STATED DO NOT SCALE

A3

1	VALIDATION COMPLETE	04/11/16	A.P
REV	DESCRIPTION	DATE	APPROVED



REINFORCED PLASTIC HINGE	
1350-002	1 / 1
Edition 1	Sheet 1 / 1

A 6 5 4 3 1 2 1 1 A

6 5 4 3 1 2 1 1