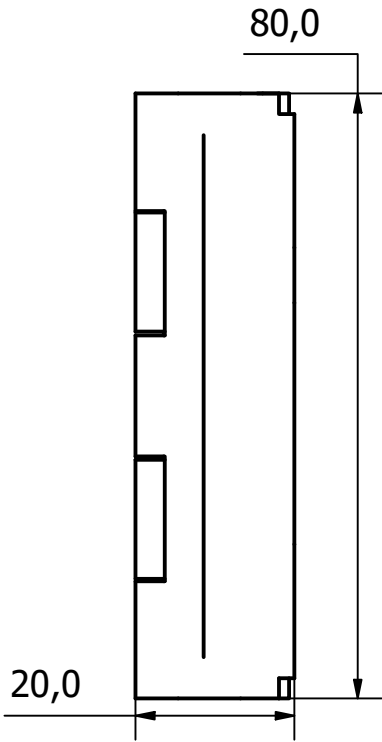
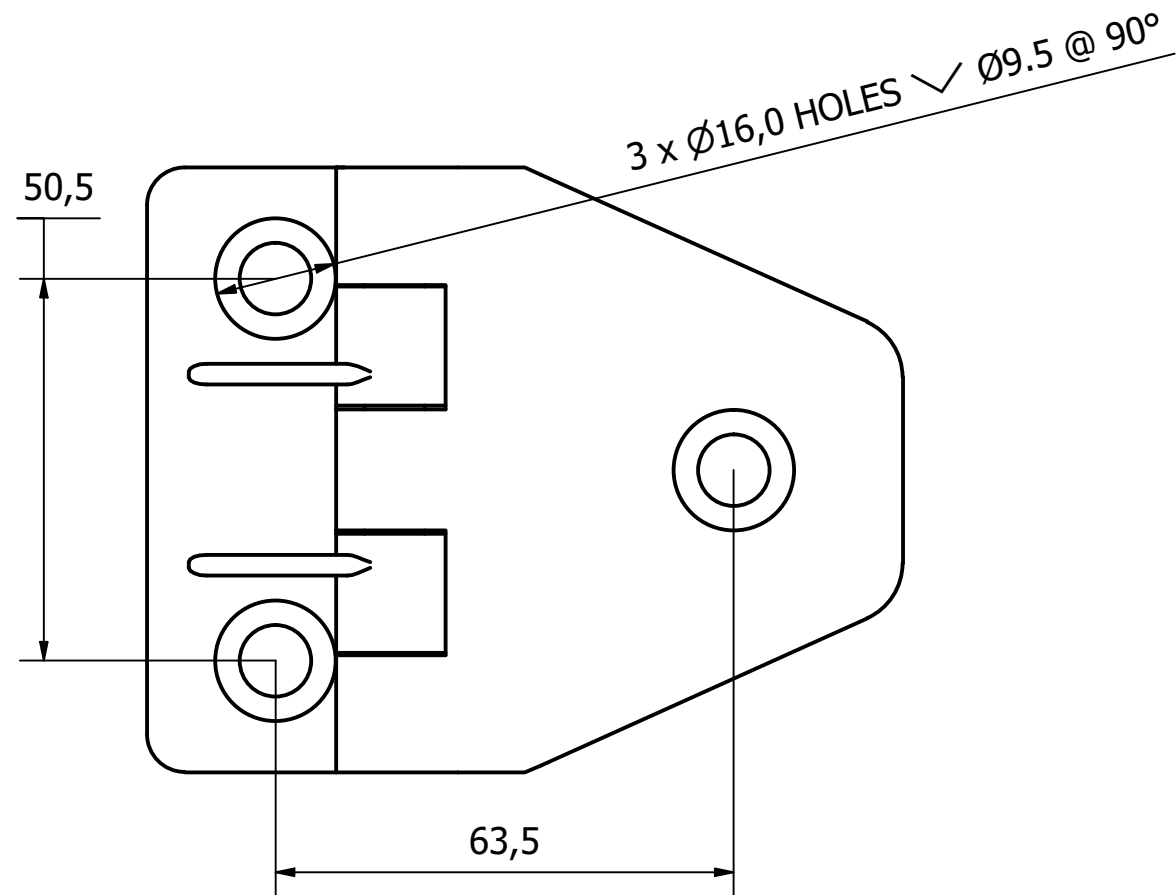
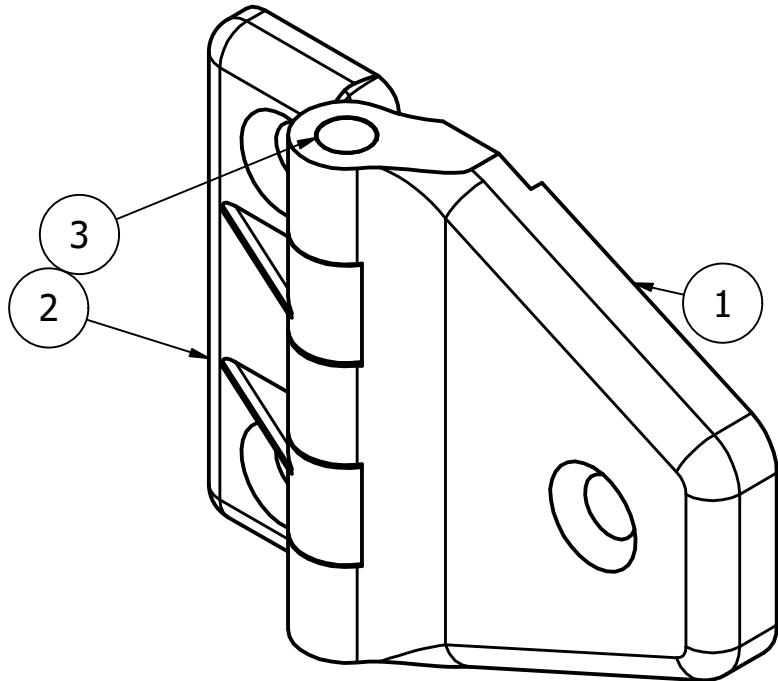
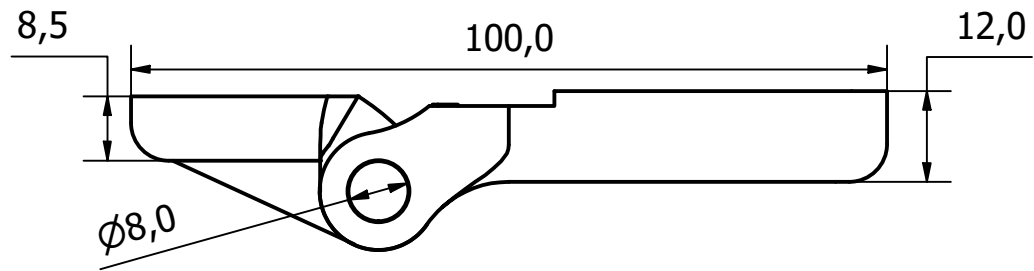


6 1 5 1 4 3 1 2 1 1

| PARTS LIST | | | |
|------------|-----|-------------|---------------------------------|
| ITEM | QTY | PART NUMBER | DESCRIPTION |
| 1 | 1 | 1350-005-1 | NYLON BLACK MAIN HINGE FLAP |
| 2 | 1 | 1350-005-2 | NYLON BLACK MOUNTING HINGE FLAP |
| 3 | 1 | 1350-005-3 | M/STEEL PIN - ZINC PLATED |



| REV | DESCRIPTION | DATE | APPROVED |
|-----|---------------------|----------|----------|
| 1 | VALIDATION COMPLETE | 21/06/19 | A.P |

| GENERAL TOLERANCES ON LENGTHS |
|-------------------------------|
| 0.5 - 6 ± 0.1mm |
| 6 - 30 ± 0.2mm |
| 30 - 120 ± 0.3mm |
| 120 - 400 ± 0.5mm |
| 400 - 1000 ± 0.8mm |
| 1000 - 2000 ± 1.2mm |
| 2000 - 4000 ± 2.0mm |

ALBERT JAGGER LTD
 GREEN LANE
 WALSALL PHONE: 01922 471000
 WEST MIDLANDS FAX: 01922 648021
 WS2 8HG
 THIS DRAWING & THE DESIGN SHOWN ARE THE PROPERTY OF ALBERT JAGGER LTD AND MUST NOT BE USED OR COPIED BY A THIRD PARTY WITHOUT PERMISSION

DRAWN BY: A.S
 CHECKED BY: A.P



SCALE: 1 : 1

MATERIAL: SEE DRAWING

MASS: 0.097 kg

FINISH: SEE DRAWING

Date: 21/06/2019

ALL DIMS IN MM UNLESS STATED DO NOT SCALE

A3



REINFORCED NYLON LEAF HINGE - 100/11mm

1350-005

Edition: 1

Sheet: 1 / 1

6 1 5 1 4 3 1 2 1 1