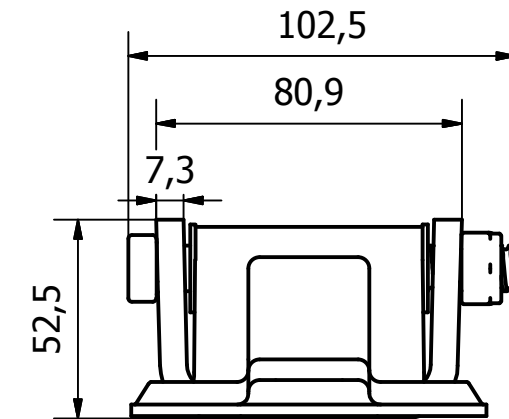
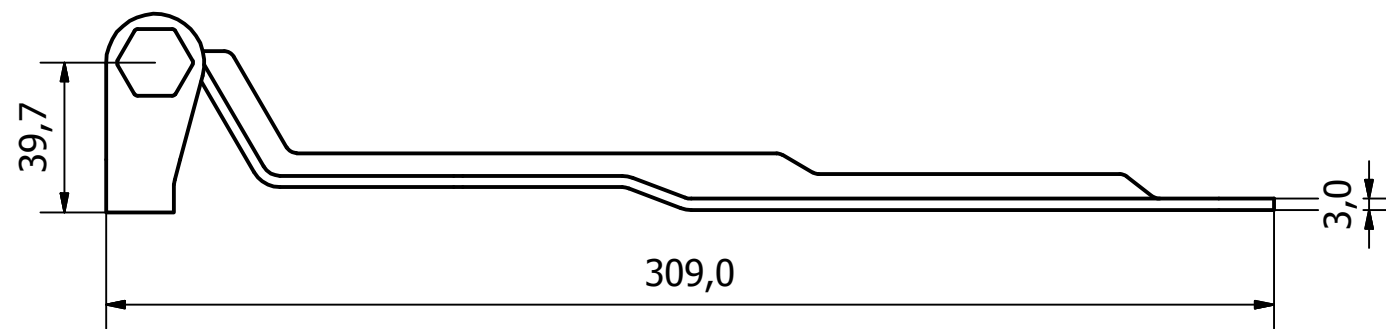
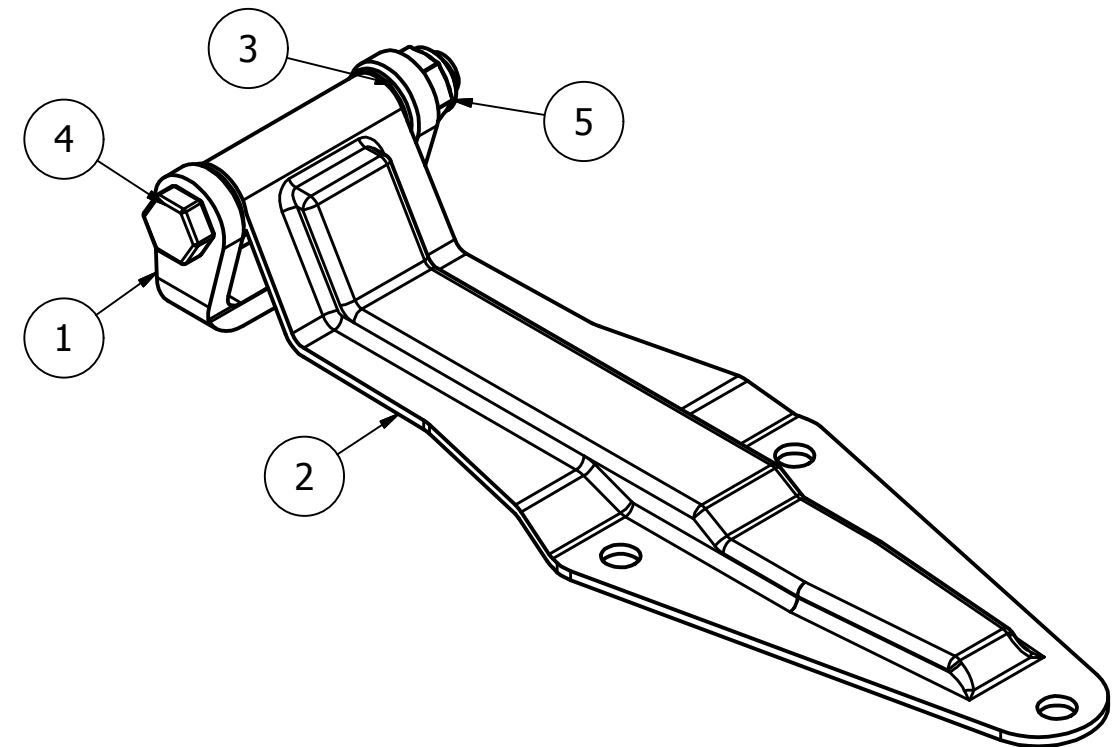


PARTS LIST			
ITEM	QTY	PART NUMBER	DESCRIPTION
1	1	2052-311-1	M/STEEL WELD MOUNTING BRACKET
2	1	2052-300-3	M/STEEL HINGE BLADE
3	2	2052-300-4	NYLON BUSH
4	1	2052-300-5	M/STEEL M12 BOLT
5	1	2052-300-6	M/STEEL M12 NYLOC NUT



NOTE:

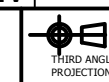
NATURAL FINISH ON WELD BRACKET. ZINC AND CLEAR PASSIVATE FINISH ON BLADE, BOLT AND NYLOC NUT

GENERAL TOLERANCES ON LENGTHS
0.5 - 6 ± 0.1mm
6 - 30 ± 0.2mm
30 - 120 ± 0.3mm
120 - 400 ± 0.5mm
400 - 1000 ± 0.8mm
1000 - 1200 ± 1.2mm
2000 - 4000 ± 2.0mm

ALBERT JAGGER LTD  
 GREEN LANE  
 WALSALL PHONE: 01922 471000  
 WEST MIDLANDS FAX: 01922 648021  
 WS2 8HG  
 THIS DRAWING & THE DESIGN SHOWN ARE THE PROPERTY OF ALBERT JAGGER LTD AND MUST NOT BE USED OR COPIED BY A THIRD PARTY WITHOUT PERMISSION

DRAWN BY  
U.F

CHECKED BY  
A.P



SCALE  
1 : 2

MATERIAL  
-

MASS  
1.075 kg

FINISH  
SEE NOTE

Date  
16/03/2017

ALL DIMS IN MM UNLESS STATED DO NOT SCALE

A3

1	VALIDATION COMPLETE	29/03/17	A.P
REV	DESCRIPTION	DATE	APPROVED



WELD ON REAR VAN DOOR HINGE - M/STEEL		2052-311	Edition 1	Sheet 1 / 1
---------------------------------------	--	----------	--------------	----------------