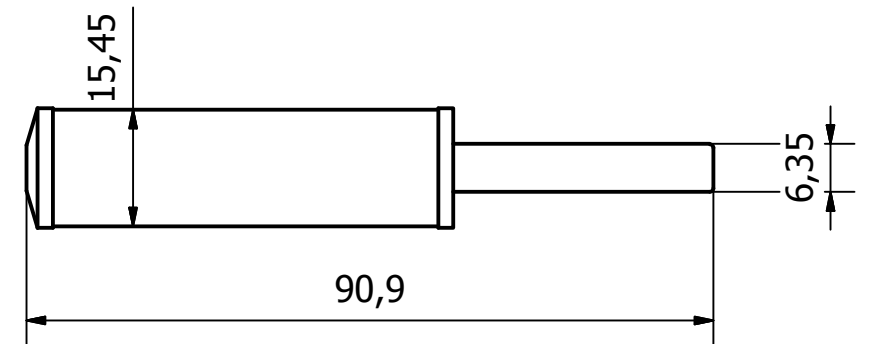
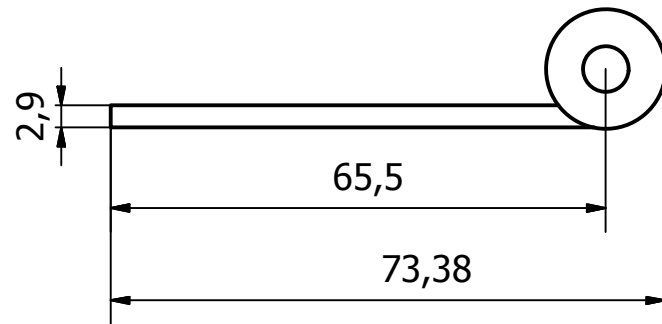
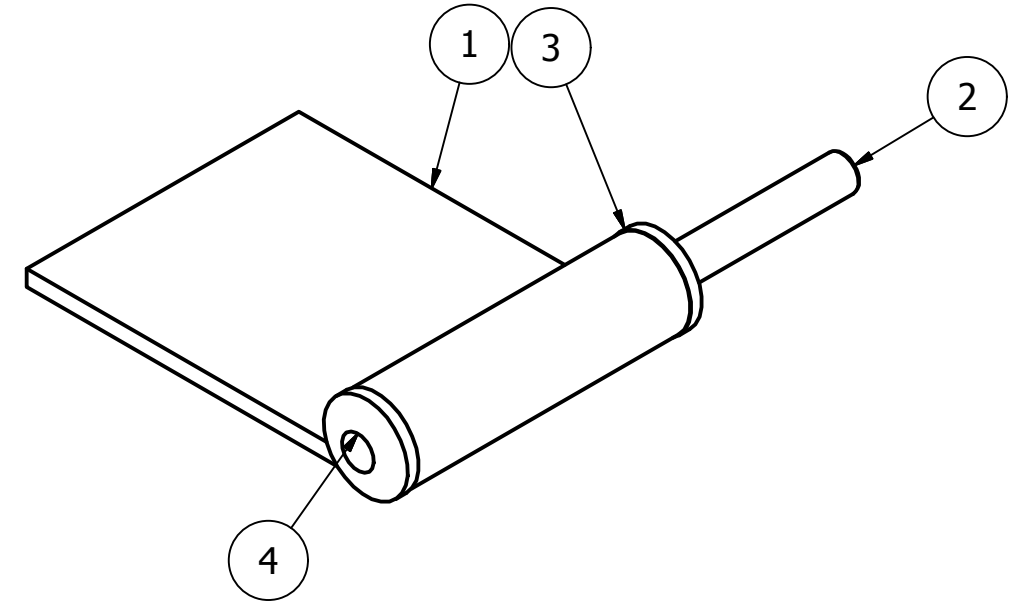
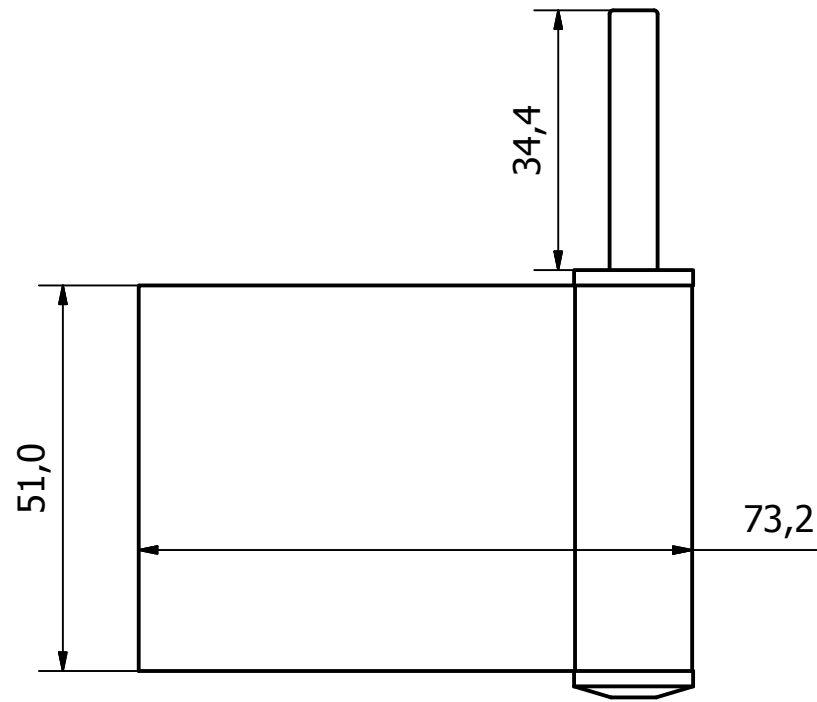


PARTS LIST			
ITEM	QTY	PART NUMBER	DESCRIPTION
1	1	2211-001-1	M/STEEL HINGE PLATE - SELF COLOUR
2	1	2211-001-2	SS HINGE PIN - 85.4 O/A POLISHED
3	1	2211-001-3	PLASTIC PIN BUSH - 28.5 O/A
4	1	2211-001-4	PLASTIC END BUSH - 9.5 O/A



1	VALIDATION COMPLETE	22/12/16	A.P
REV	DESCRIPTION	DATE	APPROVED

GENERAL TOLERANCES ON LENGTHS
0.5 - 6 ± 0.1mm
6 - 30 ± 0.2mm
30 - 120 ± 0.3mm
120 - 400 ± 0.5mm
400 - 1000 ± 0.8mm
1000 - 1200 ± 1.2mm
2000 - 4000 ± 2.0mm

ALBERT JAGGER LTD
 GREEN LANE
 WALSALL PHONE: 01922 471000
 WEST MIDLANDS FAX: 01922 648021
 WS2 8HG

THIS DRAWING & THE DESIGN SHOWN
 ARE THE PROPERTY OF ALBERT JAGGER LTD
 AND MUST NOT BE USED OR COPIED BY A
 THIRD PARTY WITHOUT PERMISSION

DRAWN BY
 U.F

CHECKED BY
 A.P

THIRD ANGLE PROJECTION

SCALE
 1 : 1

MATERIAL
 -

MASS
 0.137 kg

FINISH
 NATURAL

Date
 19/10/2016

ALL DIMS IN MM
 UNLESS STATED
 DO NOT SCALE

A3



LIFT OFF HINGE - LH MALE C/W BUSHES

2211-001

Edition	Sheet
1	1 / 1