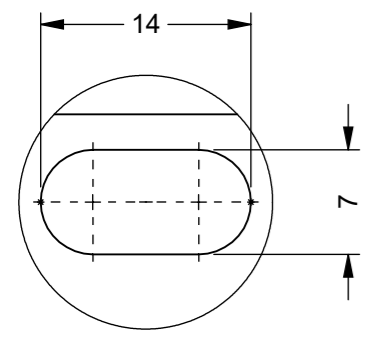
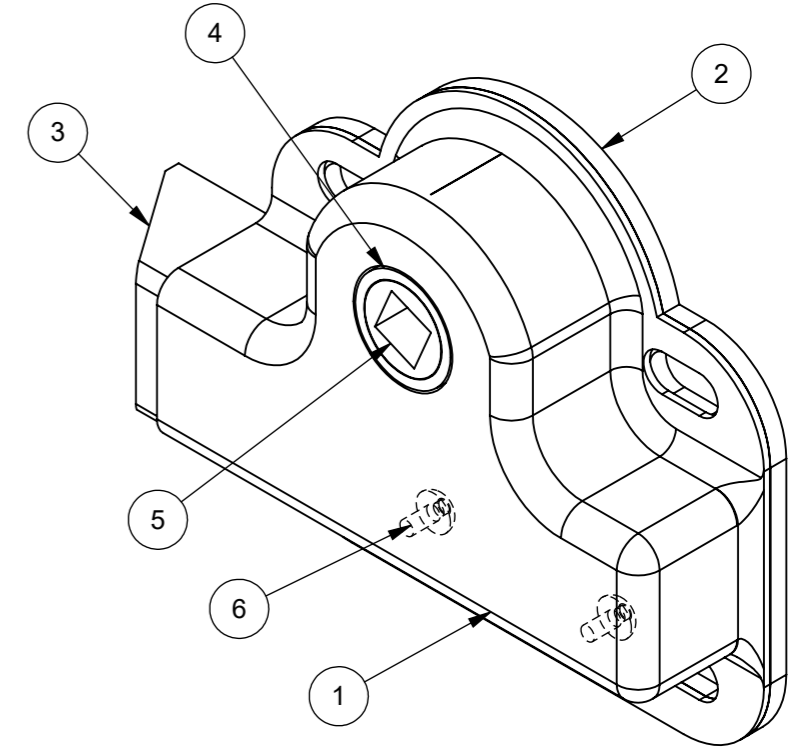
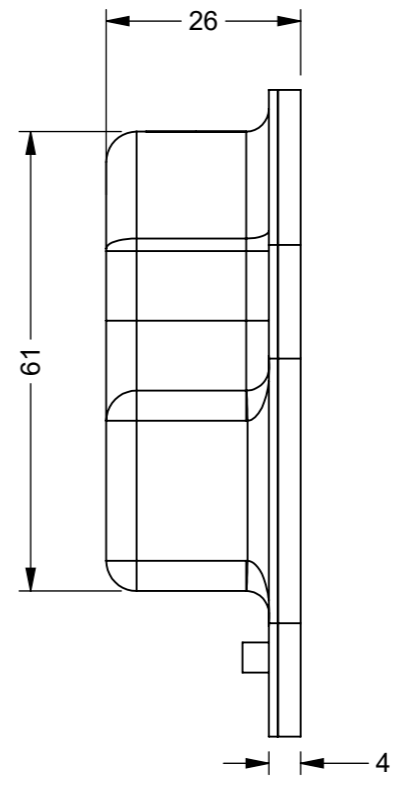
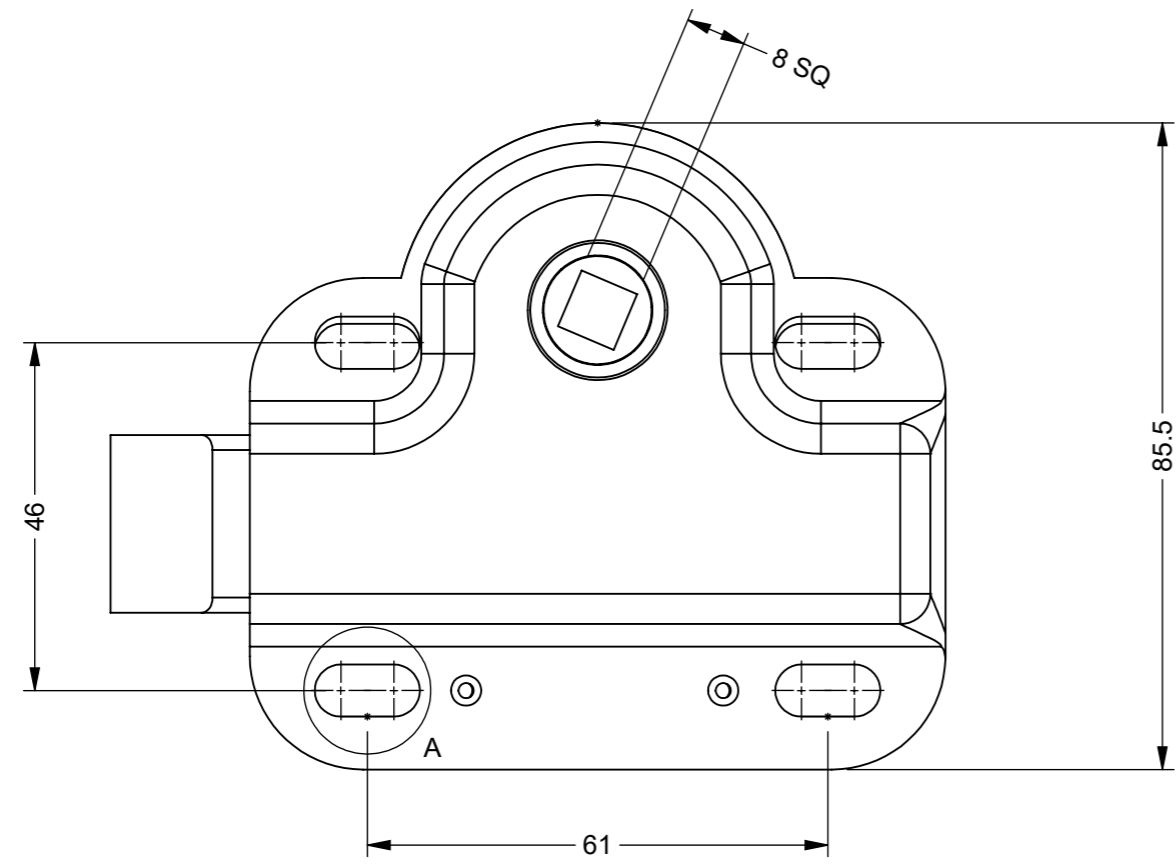
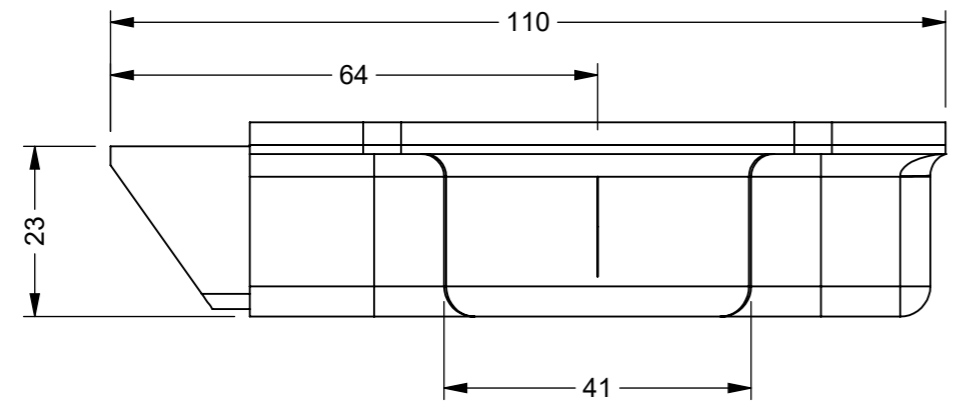


IF IN DOUBT ASK

ITEM NO.	PART NUMBER	DESCRIPTION	QTY.
1	2400-001-1	M/STEEL CASING - LH Z/C PASSIVATED	1
2	2400-001-2	PLASTIC BACK PLATE - BLACK	1
3	2400-001-3	NYLON TONGUE - WHITE	1
4	2400-001-4	NYLON BARREL AND HANDLE MOUNT - WHITE	1
5	2400-001-5	M/STEEL BARREL - Z/C PASSIVATED	1
6	2400-001-6	M/STEEL RIVETS - Z/C PASSIVATED	2



DETAIL A
SCALE: 2 : 1
4 PLACES

UNLESS OTHERWISE STATED, ALL DIMENSIONS IN mm

TOLERANCES		SURFACE FINISH 1.6µm Ra	
0.5 - 6	= ±0.1mm	FILLET RADII	0.5 TO 1.0
6 - 30	= ±0.2 mm	SQUARENESS	0.05 IN 25
30 - 120	= ±0.3 mm	PARALLELISM	0.05 IN 25
120 - 400	= ±0.5 mm	RUNOUT	0.1
400 - 1000	= ±0.8 mm	ANGLES	±0.5°
1000 - 2000	= ±1.2 mm		
2000 - 4000	= ±2.0 mm		

MATERIAL: SEE TABLE		DRAWN BY: UF		DESCRIPTION: SLAM LOCK, NO HANDLE- LH		A3	
MASS: 0.28		CHECKED BY: A.P		NUMBER: 2400-001	REVISION: 2		SHEET: 1 of 1
FINISH: SEE TABLE		APPROVED BY: A.P		ORIGINATION DATE: 09/01/2024	SCALE : PROPORTIONAL - DO NOT SCALE REF SCALE 1:1 WHEN PRINTED ON A3		

PROPRIETARY RIGHTS ARE INCLUDED IN THE INFORMATION DISCLOSED HEREIN. NEITHER THIS DOCUMENT NOR ANY INFORMATION DISCLOSED SHALL BE REPRODUCED, USED, TRANSFERRED TO OTHER DOCUMENTS, OR DISCLOSED TO OTHERS FOR ANY PURPOSE INCLUDING MANUFACTURING UNLESS SPECIFICALLY AUTHORISED IN WRITING
 REMOVE ALL SHARP EDGES AND BURRS
 PART FINISHING AND MARKING TO CESF001

ZONE	REV.	DESCRIPTION	DATE	APPROVED
	2	RE-DRAWN IN SOLIDWORKS	09/01/2024	U.F

REVISIONS

