

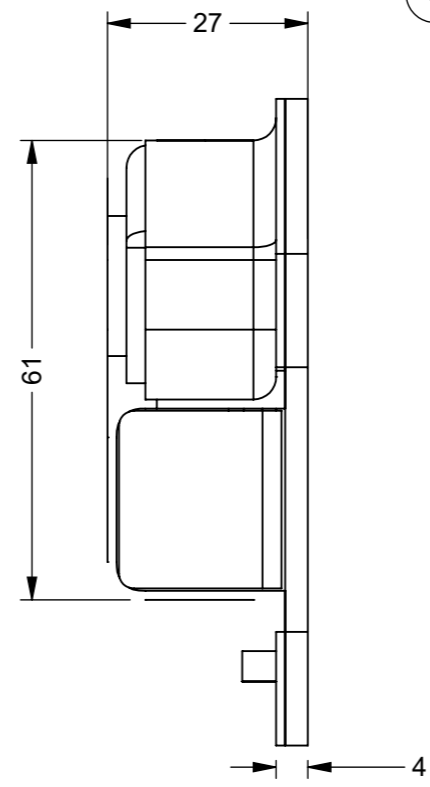
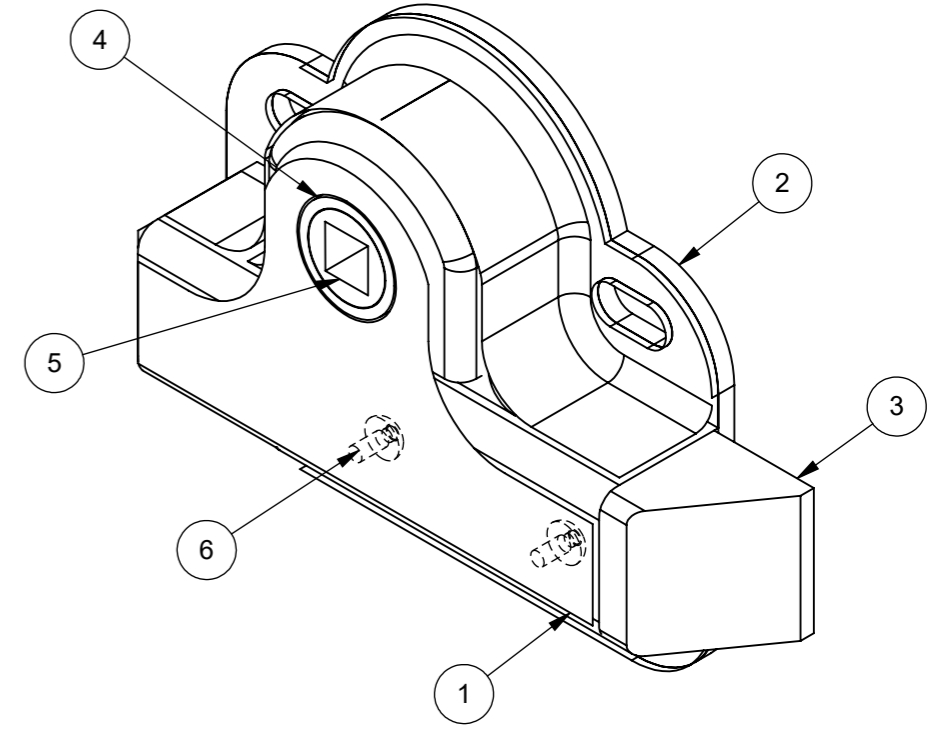
DETAIL A
SCALE: 2 : 1
4 PLACES

UNLESS OTHERWISE STATED, ALL DIMENSIONS IN mm

TOLERANCES		SURFACE FINISH 1.6um Ra	
0.5 - 6	= ±0.1mm	FILLET RADII	0.5 TO 1.0
6 - 30	= ±0.2 mm	SQUARENESS	0.05 IN 25
30 - 120	= ±0.3 mm	PARALLELISM	0.05 IN 25
120 - 400	= ±0.5 mm	RUNOUT	0.1
400 - 1000	= ±0.8 mm	ANGLES	±0.5°
1000 - 2000	= ±1.2 mm		
2000 - 4000	= ±2.0 mm		

PROPRIETARY RIGHTS ARE INCLUDED IN THE INFORMATION DISCLOSED HEREIN. NEITHER THIS DOCUMENT NOR ANY INFORMATION DISCLOSED SHALL BE REPRODUCED, USED, TRANSFERRED TO OTHER DOCUMENTS, OR DISCLOSED TO OTHERS FOR ANY PURPOSE INCLUDING MANUFACTURING UNLESS SPECIFICALLY AUTHORIZED IN WRITING
REMOVE ALL SHARP EDGES AND BURRS
PART FINISHING AND MARKING TO CESF001

ITEM NO.	PART NUMBER	DESCRIPTION	QTY.
1	2400-002-1	M/STEEL CASING - LH Z/C PASSIVATED	1
2	2400-002-2	PLASTIC BACK PLATE - BLACK	1
3	2400-002-3	NYLON TONGUE - WHITE	1
4	2400-002-4	NYLON BARREL AND HANDLE MOUNT - WHITE	1
5	2400-002-5	M/STEEL BARREL - Z/C PASSIVATED	1
6	2400-002-6	M/STEEL RIVETS - Z/C PASSIVATED	2



ZONE	REV.	DESCRIPTION	DATE	APPROVED
2		RE-DRAWN IN SOLIDWORKS	09/01/2024	U.F

REVISIONS

MATERIAL: SEE TABLE	DRAWN BY: UF		DESCRIPTION: SLAM LOCK, NO HANDLE- RH		A3
MASS: 0.28	CHECKED BY: A.P		NUMBER: 2400-002	REVISION: 2	
FINISH: SEE TABLE	APPROVED BY: A.P		SHEET: 1 of 1		
ORIGINATION DATE: 09/01/2024		SCALE : PROPORTIONAL - DO NOT SCALE REF SCALE 1:1 WHEN PRINTED ON A3			PROJECTION 3rd ANGLE

