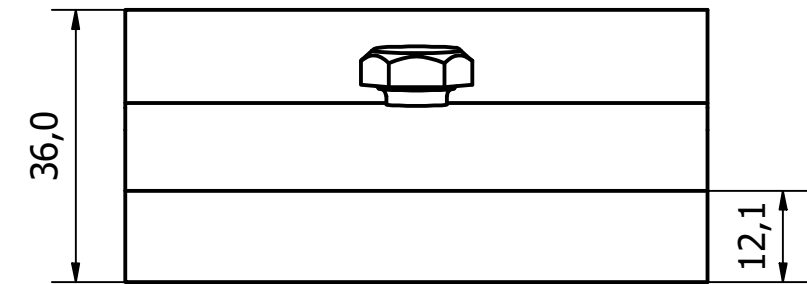
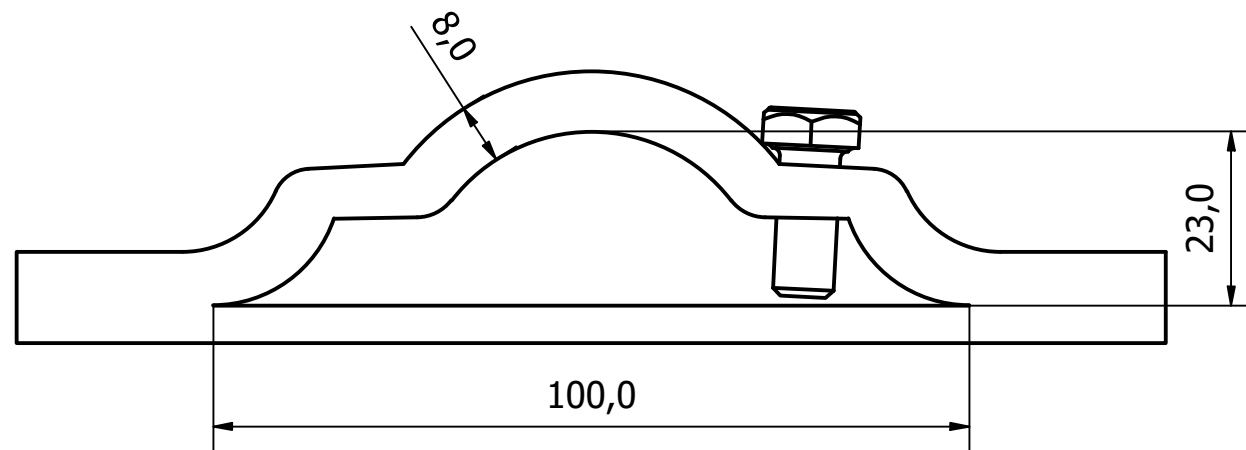
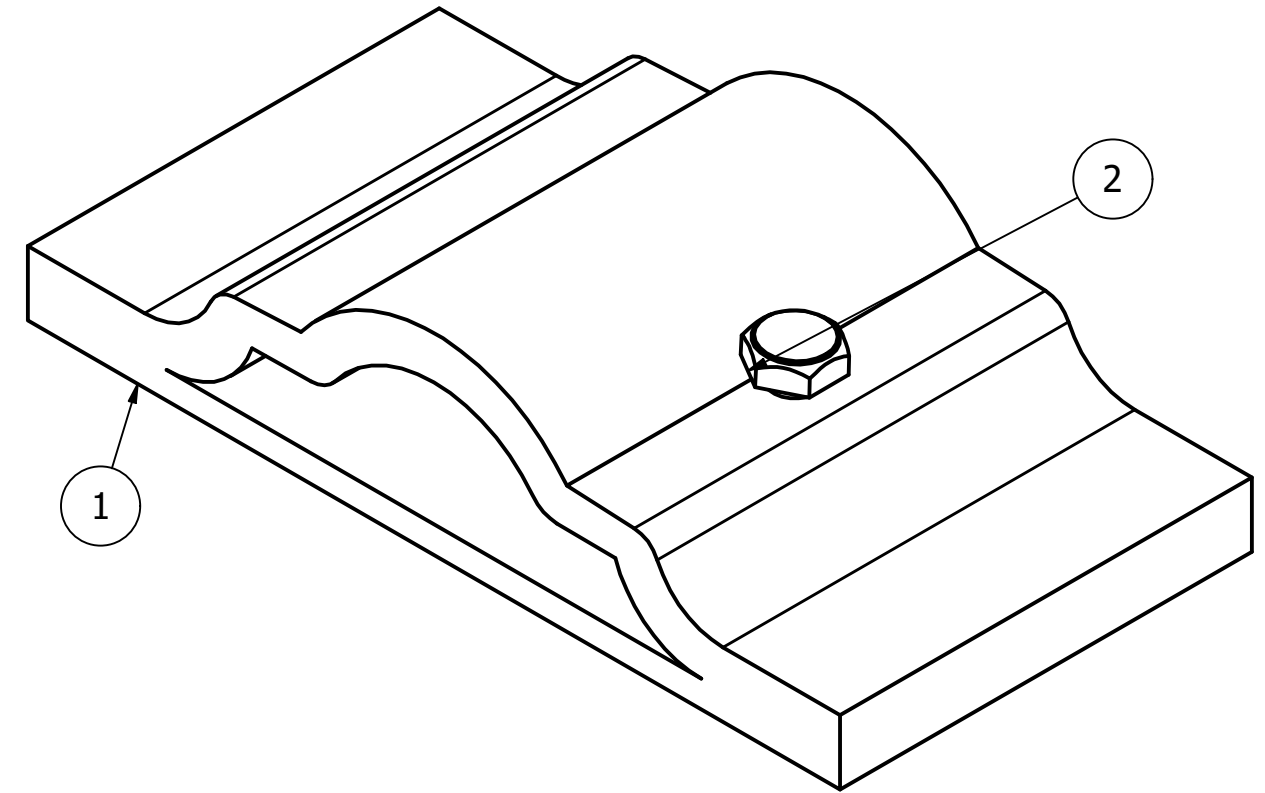
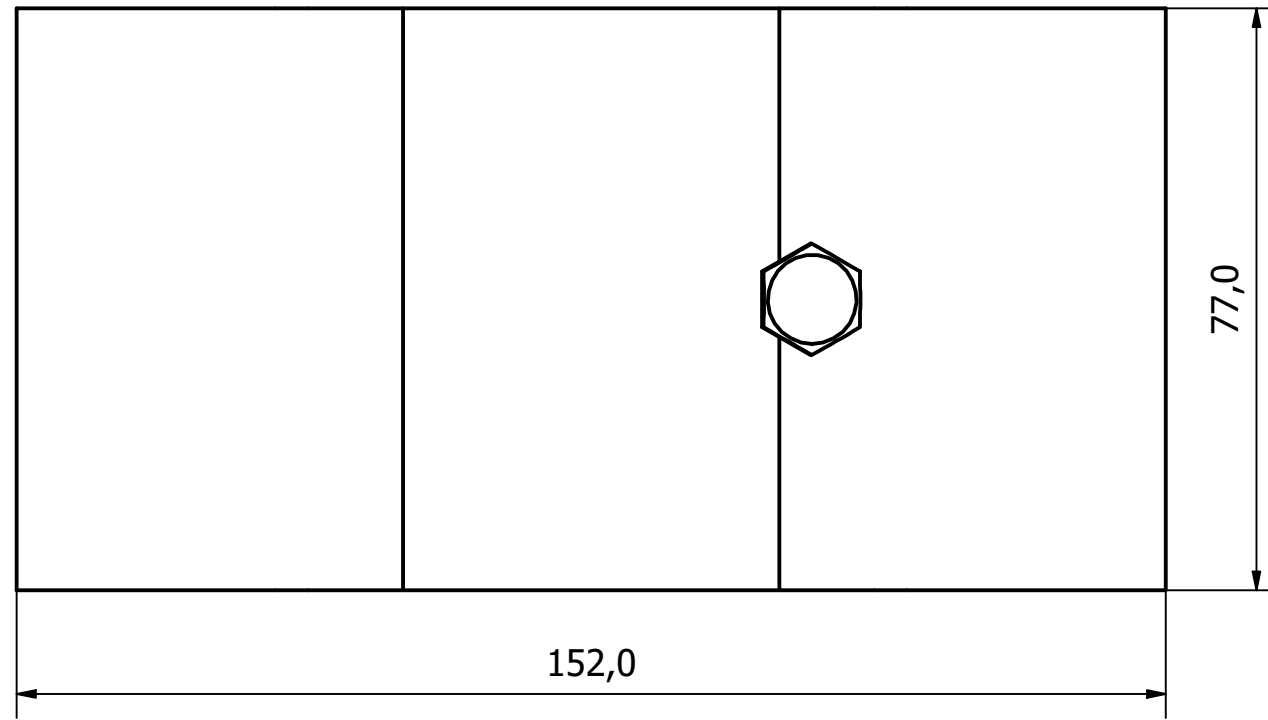


PARTS LIST			
ITEM	QTY	PART NUMBER	DESCRIPTION
1	1	2448-002-1	SELF COLOUR FORGED STEEL CENTRE PILLAR SOCKET
2	1	2448-002-2	M8 CHEMICALLY BLACKENED STEEL BOLT



REV	DESCRIPTION	DATE	APPROVED
1	VALIDATION COMPLETE	02/10/2020	A.P

NOTE:
TO BE USED WITH 2448/001

GENERAL TOLERANCES ON LENGTHS
0.5 - 6 ± 0.1mm
6 - 30 ± 0.2mm
30 - 120 ± 0.3mm
120 - 400 ± 0.5mm
400 - 1000 ± 0.8mm
1000 - 2000 ± 1.2mm
2000 - 4000 ± 2.0mm

ALBERT JAGGER LTD
GREEN LANE
WALSALL PHONE: 01922 471000
WEST MIDLANDS FAX: 01922 648021
WS2 8HG

THIS DRAWING & THE DESIGN SHOWN ARE THE PROPERTY OF ALBERT JAGGER LTD AND MUST NOT BE USED OR COPIED BY A THIRD PARTY WITHOUT PERMISSION

DRAWN BY

A.S

CHECKED BY

A.P



SCALE
1 : 1

MATERIAL
SEE DRAWING

MASS
1.143 kg

FINISH
SEE DRAWING

Date
27/03/2019

ALL DIMS IN MM
UNLESS STATED
DO NOT SCALE

A3



CENTRE PILLAR SOCKET	
2448-002	Edition 1 / Sheet 1 / 1