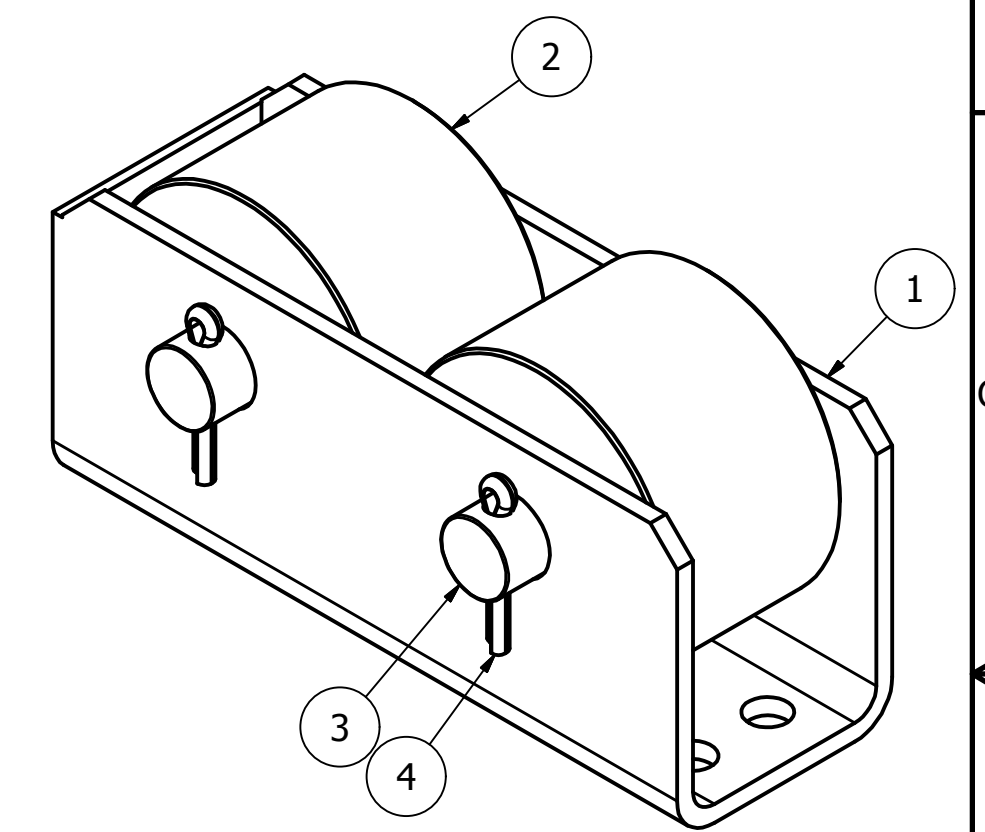
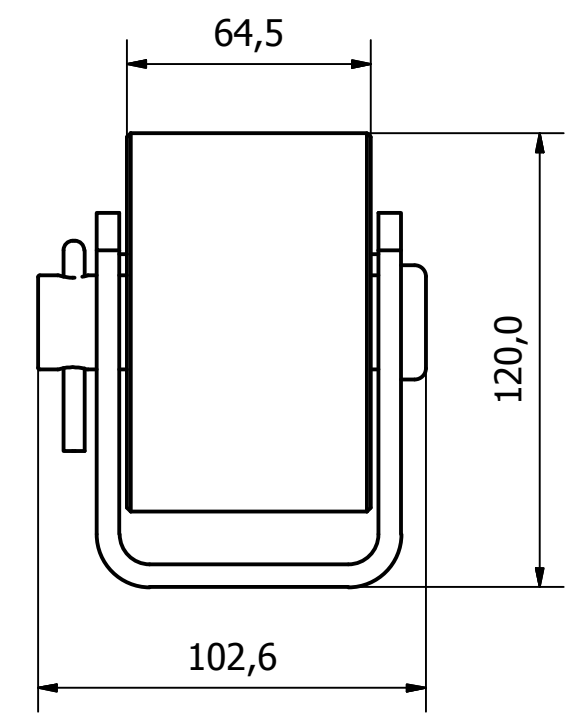


| PARTS LIST |     |             |  |
|------------|-----|-------------|--|
| ITEM       | QTY | PART NUMBER | DESCRIPTION                                    |
| 1          | 1   | 2515-1404-1 | M/STEEL BUFFER BODY WELD ASSEMBLY - GALVANISED |
| 2          | 2   | 2515-1404-2 | BLACK RUBBER BUFFER WHEEL                      |
| 3          | 2   | 2515-1404-3 | M/STEEL WHEEL PIN - ZINC AND GOLD PASSIVATE    |
| 4          | 2   | 2515-1404-4 | S/STEEL RETAINING PIN - NATURAL                |



|           |                     |                                    |   |
|-----------|---------------------|------------------------------------|---|
| 1         | VALIDATION COMPLETE | 10/10/17                           | A.P                                       |
| REV       | DESCRIPTION         | DATE                               | APPROVED                                  |
| U.F       | A.P                 | 10/10/2017                         | A3  |
| SCALE     | MATERIAL            | MASS                               | FINISH                                    |
| 1 : 2     | SEE TABLE           | 4.517 kg                           | SEE TABLE                                 |
| DRAWN BY  |                     | Date                               | ALL DIMS IN MM UNLESS STATED DO NOT SCALE |
| U.F       |                     | 10/10/2017                         |   |
|           |                     | BUT-ROLL' 2 ROLLER VERTICAL BUFFER |   |
| 2515-1404 |                     | Edition                            | Sheet                                     |
|           |                     | 1                                  | 1 / 1                                     |

| GENERAL TOLERANCES ON LENGTHS |
|-------------------------------|
| 0.5 - 6 ± 0.1mm               |
| 6 - 30 ± 0.2mm                |
| 30 - 120 ± 0.3mm              |
| 120 - 400 ± 0.5mm             |
| 400 - 1000 ± 0.8mm            |
| 1000 - 2000 ± 1.2mm           |
| 2000 - 4000 ± 2.0mm           |

ALBERT JAGGER LTD  
 GREEN LANE  
 WALSALL PHONE: 01922 471000  
 WEST MIDLANDS FAX: 01922 648021  
 WS2 8HG

THIS DRAWING & THE DESIGN SHOWN ARE THE PROPERTY OF ALBERT JAGGER LTD AND MUST NOT BE USED OR COPIED BY A THIRD PARTY WITHOUT PERMISSION

DRAWN BY  
U.F

CHECKED BY  
A.P

THIRD ANGLE PROJECTION

