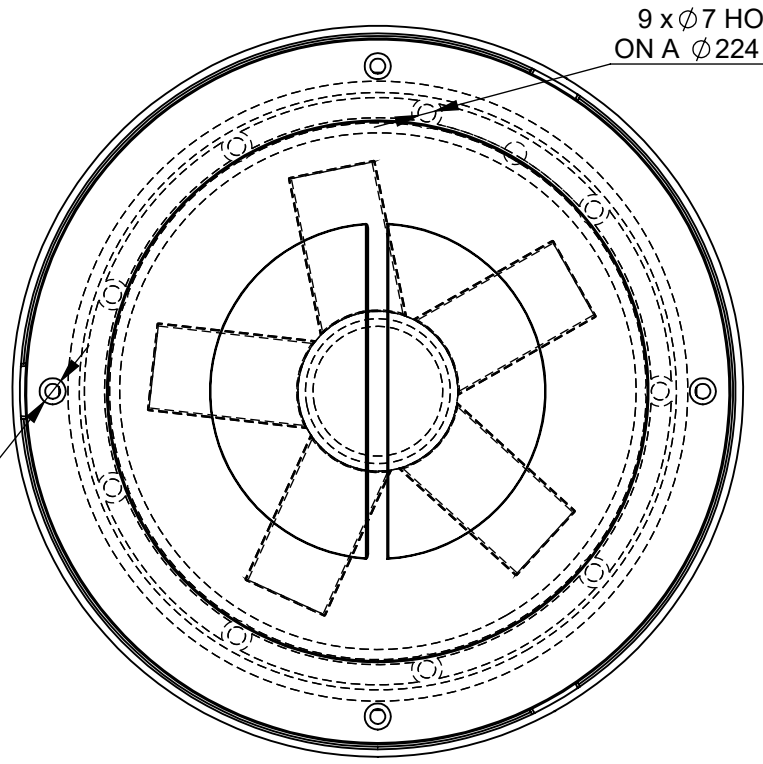
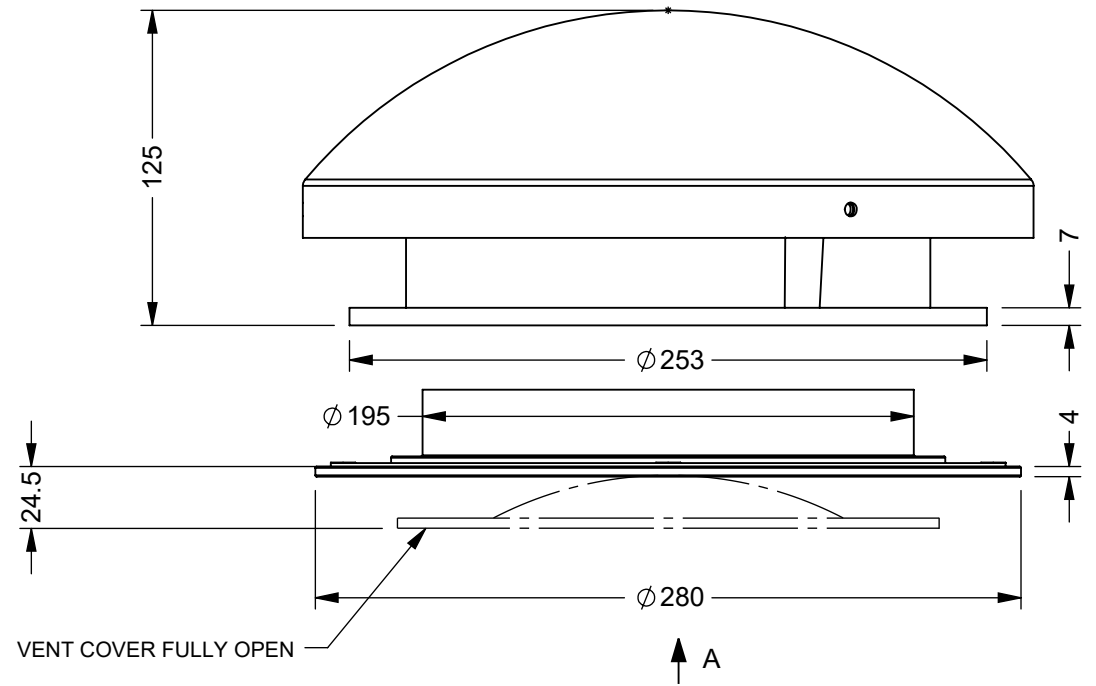
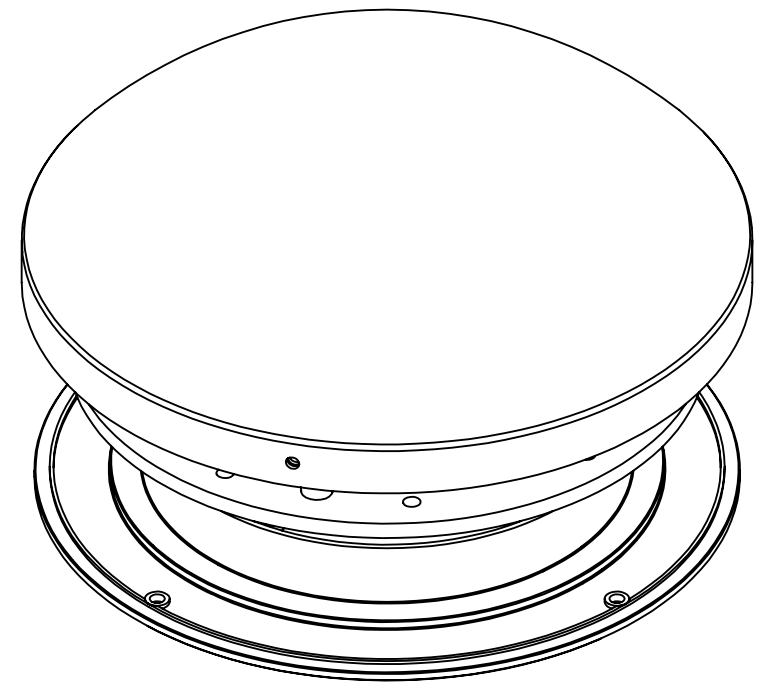
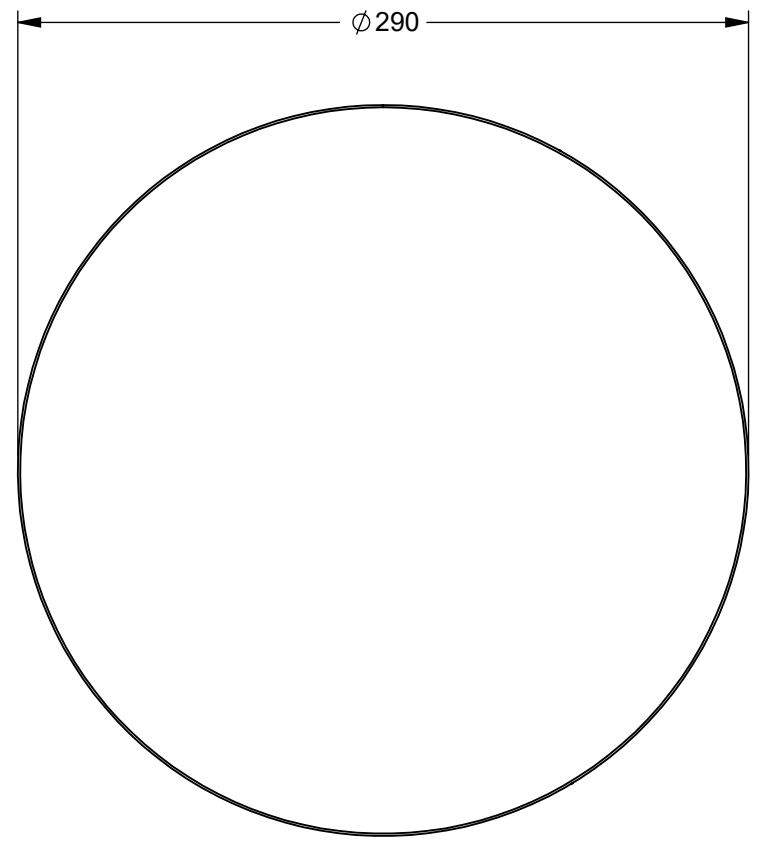


IF IN DOUBT ASK

IF IN DOUBT ASK



VIEW A

ZONE	REV.	DESCRIPTION	DATE	APPROVED
	1	VALIDATION COMPLETE	06/07/2023	A.P

REVISIONS

NOTE:
 12V MOTOR, 3500 RPM - REVERSE CAPABILITY
 EXTRACTION RATE: 600-650 m3/hr

VENT SUPPLIED WITH RUBBER SEALING PROFILE

UNLESS OTHERWISE STATED, ALL DIMENSIONS IN mm

TOLERANCES	SURFACE FINISH
0.5 - 6 = ± 0.1 mm	1.6 μ m Ra
6 - 30 = ± 0.2 mm	FILLET RADII 0.5 TO 1.0
30 - 120 = ± 0.3 mm	SQUARENESS 0.05 IN 25
120 - 400 = ± 0.5 mm	PARALLELISM 0.05 IN 25
400 - 1000 = ± 0.8 mm	RUNOUT 0.1
1000 - 2000 = ± 1.2 mm	ANGLES $\pm 0.5^\circ$
2000 - 4000 = ± 2.0 mm	

MATERIAL: ABS PLASTIC
 MASS: 0.97
 FINISH: WHITE

DRAWN BY: UF
 CHECKED BY: A.P
 APPROVED BY: A.P
 ORIGINATION DATE: 05/07/2023

DESCRIPTION: WHITE MOTORISED VENTILATOR - 12V
 NUMBER: 2555-30012
 REVISION: 1
 SHEET: 1 of 1

A3

SCALE : PROPORTIONAL - DO NOT SCALE
 REF SCALE 1:5 WHEN PRINTED ON A3

PROJECTION 3rd ANGLE

PROPRIETARY RIGHTS ARE INCLUDED IN THE INFORMATION DISCLOSED HEREIN. NEITHER THIS DOCUMENT NOR ANY INFORMATION DISCLOSED SHALL BE REPRODUCED, USED, TRANSFERRED TO OTHER DOCUMENTS, OR DISCLOSED TO OTHERS FOR ANY PURPOSE INCLUDING MANUFACTURING UNLESS SPECIFICALLY AUTHORISED IN WRITING
 REMOVE ALL SHARP EDGES AND BURRS
 PART FINISHING AND MARKING TO CESF001