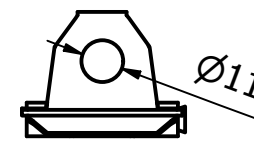
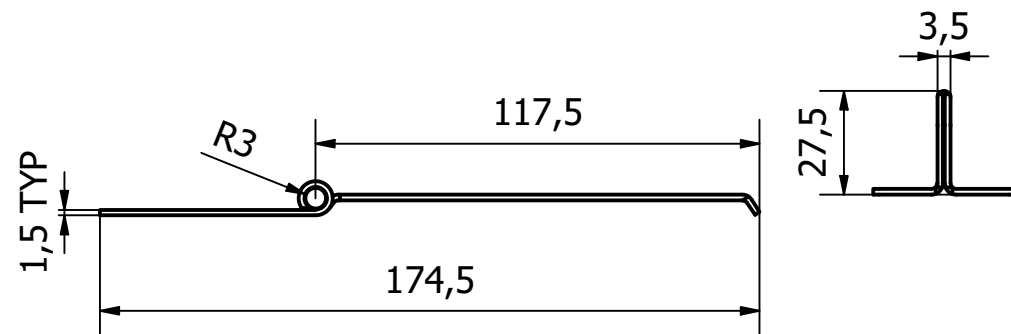
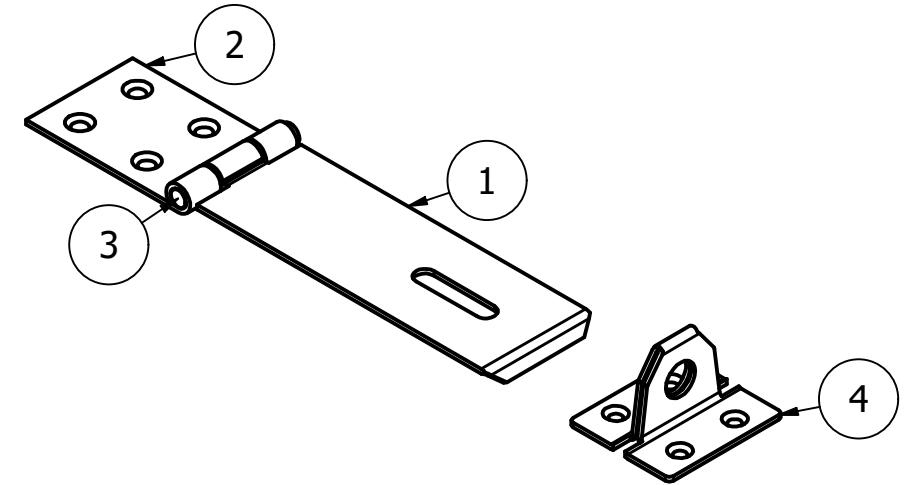
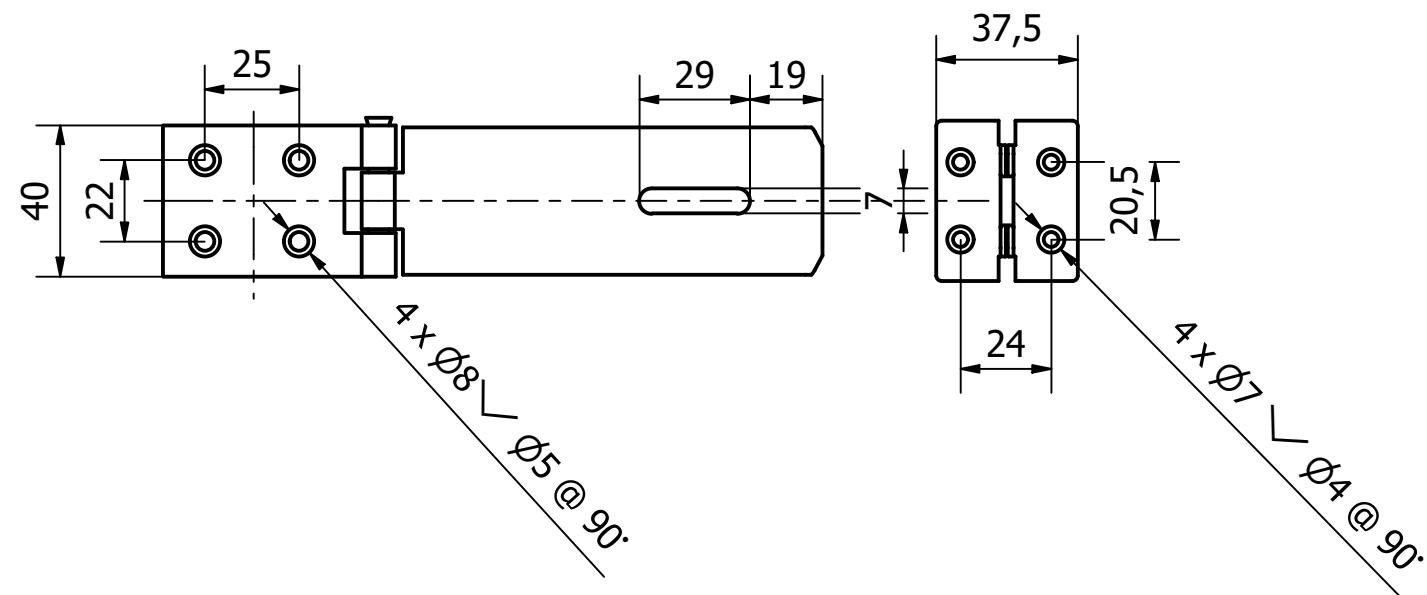


6 1 5 1 4 3 1 2 1 1

PARTS LIST			
ITEM	QTY	PART NUMBER	DESCRIPTION
1	1	2948-102-2	M/STEEL HASP
2	1	2948-102-1	M/STEEL MOUNTING BRACKET TAB
3	1	2948-102-3	M/STEEL HASP AND STAPLE PIN
4	1	2948-102-4	M/STEEL STAPLE

D
C
B
A

D
C
B
A



1	VALIDATION COMPLETE	24/03/2020	A.P
REV	DESCRIPTION	DATE	APPROVED

GENERAL TOLERANCES ON LENGTHS
0.5 - 6 ± 0.1mm
6 - 30 ± 0.2mm
30 - 120 ± 0.3mm
120 - 400 ± 0.5mm
400 - 1000 ± 0.8mm
1000 - 2000 ± 1.2mm
2000 - 4000 ± 2.0mm

ALBERT JAGGER LTD
 GREEN LANE
 WALSALL PHONE: 01922 471000
 WEST MIDLANDS FAX: 01922 648021
 WS2 8HG

THIS DRAWING & THE DESIGN SHOWN
 ARE THE PROPERTY OF ALBERT JAGGER LTD
 AND MUST NOT BE USED OR COPIED BY A
 THIRD PARTY WITHOUT PERMISSION

DRAWN BY
K.M

CHECKED BY
A.P



SCALE
1 : 2

MATERIAL
SEE TABLE

MASS
0.119 kg

FINISH
P/C BLACK

Date
17/03/2020

ALL DIMS IN MM
UNLESS STATED
DO NOT SCALE

A3



STEEL PRESSED HASP AND STAPLE

2948-102

Edition	Sheet
1	1 / 1

6 1 5 1 4 3 1 2 1 1