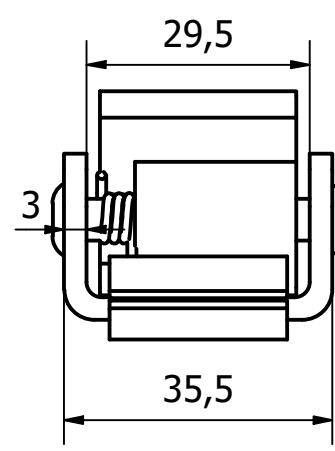
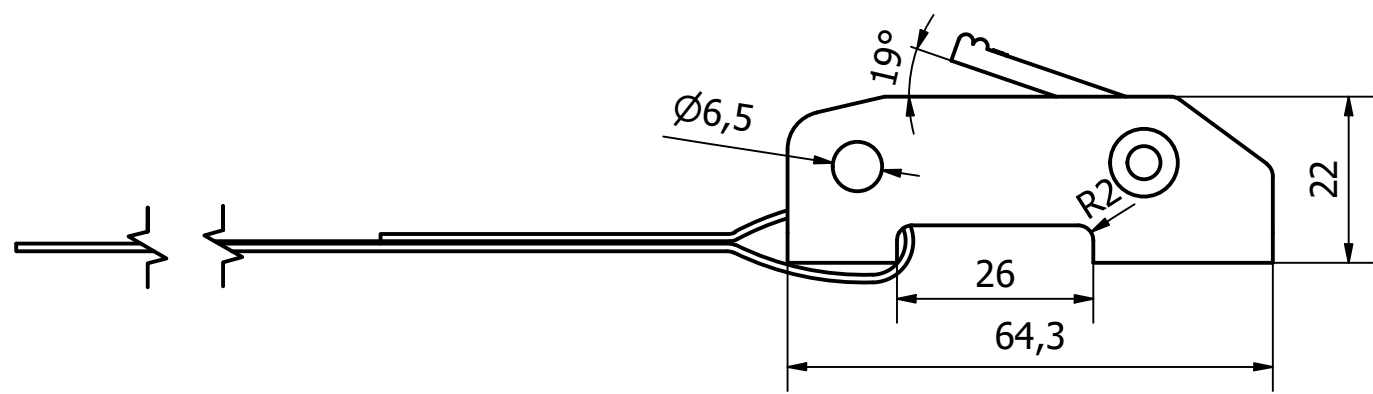
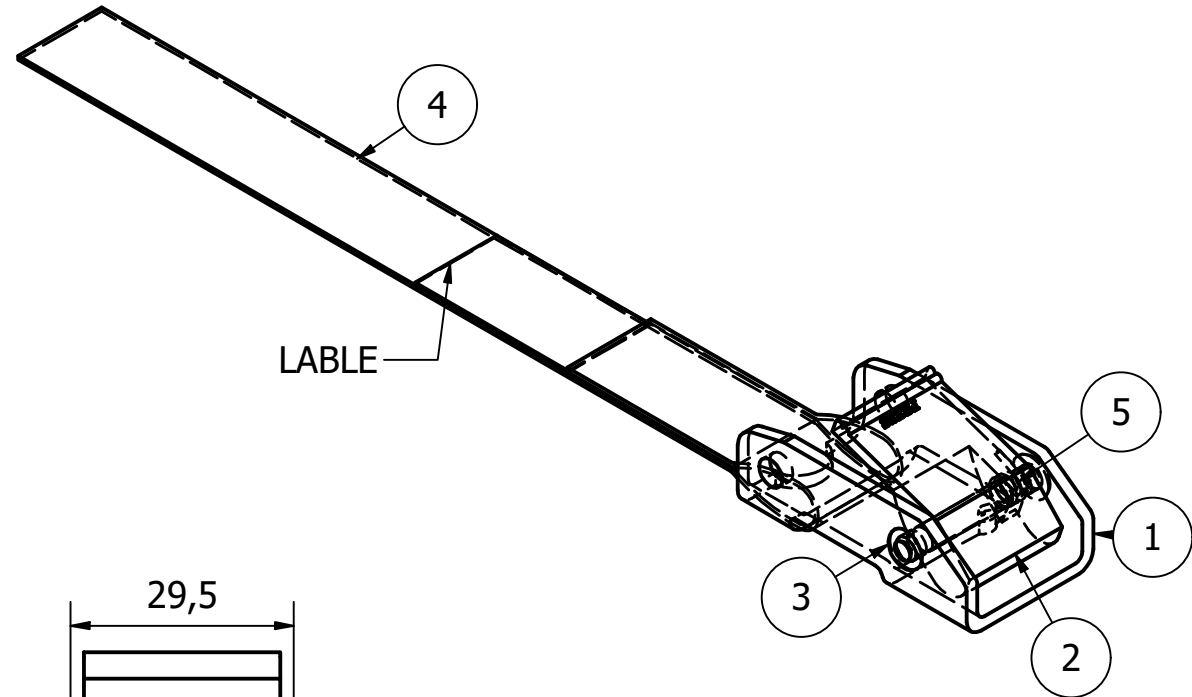
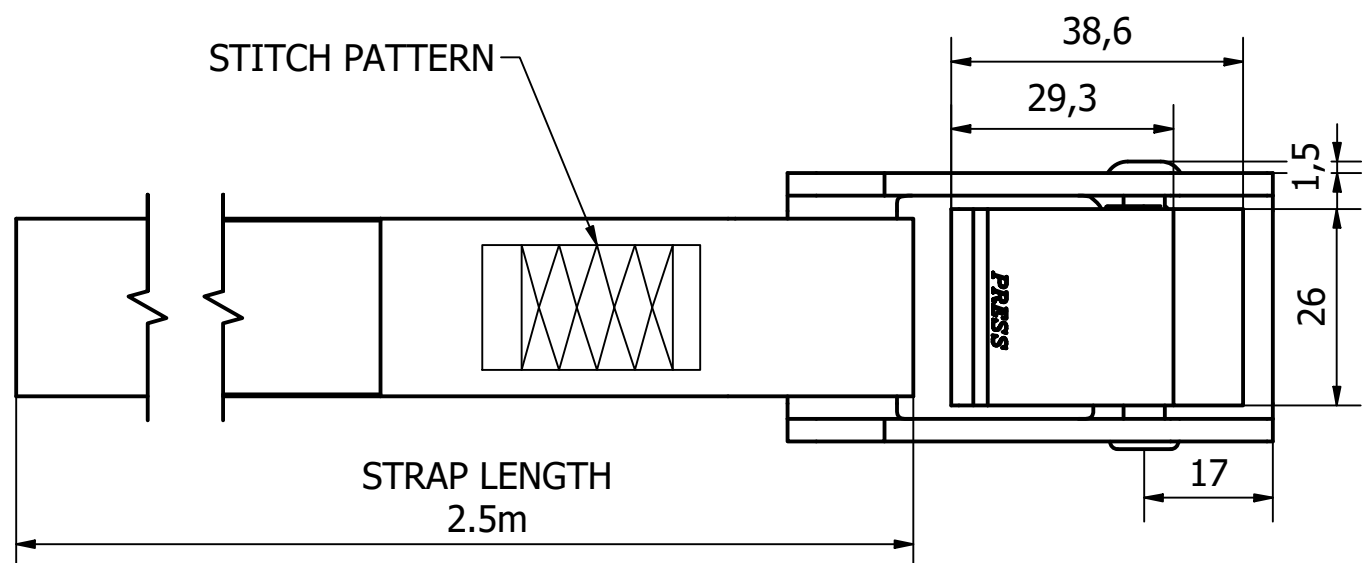


PARTS LIST			
ITEM	QTY	PART NUMBER	DESCRIPTION
1	1	3000-56491-1	M/STEEL- BUCKLE - Z/C PASSIVATE
2	1	3000-56491-2	M/STEEL- BUCKLE HANDLE- Z/C PASSIVATE
3	1	3000-56491-3	M/STEEL- RIVIT BOLT- Z/C PASSIVATE
4	1	3000-56491-4	POLYESTER -WEBBING STRAP-WITH LABLE - BLUE
5	1	3000-56491-5	M/STEEL- HANDLE SPRING - Z/C PASSIVATE



NOTE:
 BREAK FORCE MIN 12000N
 LASHING CAPACITY 6000N
 WEBBING TYPE: POLYESTER
 ELONGATION OF WEB AT LC<7%
 MANUFACTURED IN ACCORDANCE WITH:
 BS EN12195-2:2001
 NOT TO BE USED FOR LIFTING

GENERAL TOLERANCES ON LENGTHS
0.5 - 6 ± 0.1mm
6 - 30 ± 0.2mm
30 - 120 ± 0.3mm
120 - 400 ± 0.5mm
400 - 1000 ± 0.8mm
1000 - 2000 ± 1.2mm
2000 - 4000 ± 2.0mm

ALBERT JAGGER LTD
 GREEN LANE
 WALSALL PHONE: 01922 471000
 WEST MIDLANDS FAX: 01922 648021
 WS2 8HG
 THIS DRAWING & THE DESIGN SHOWN ARE THE PROPERTY OF ALBERT JAGGER LTD AND MUST NOT BE USED OR COPIED BY A THIRD PARTY WITHOUT PERMISSION

DRAWN BY S.R	CHECKED BY C.H	THIRD ANGLE PROJECTION
-----------------	-------------------	------------------------



1	VALIDATION COMPLETE	02/02/2022	C.H
REV	DESCRIPTION	DATE	APPROVED
1	1 : 1	01/02/2022	A3
SCALE	MATERIAL SEE TABLE	MASS 0.092 kg	FINISH SEE TABLE
CAM BUCKLE STRAP			
3000-56491		Edition 1	Sheet 1 / 1