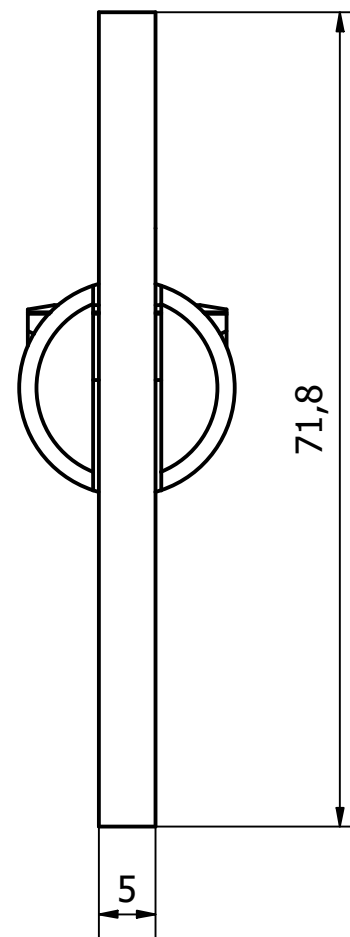
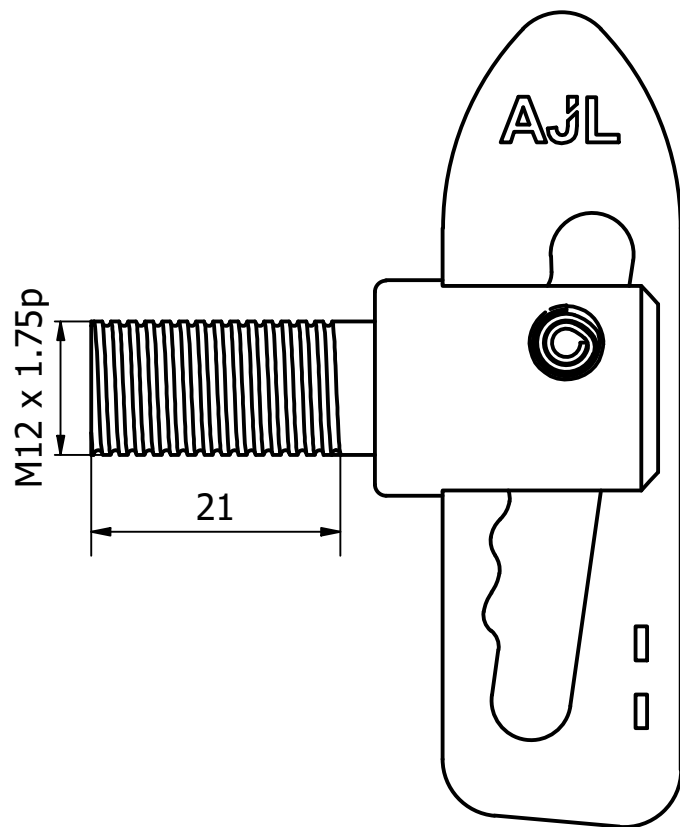
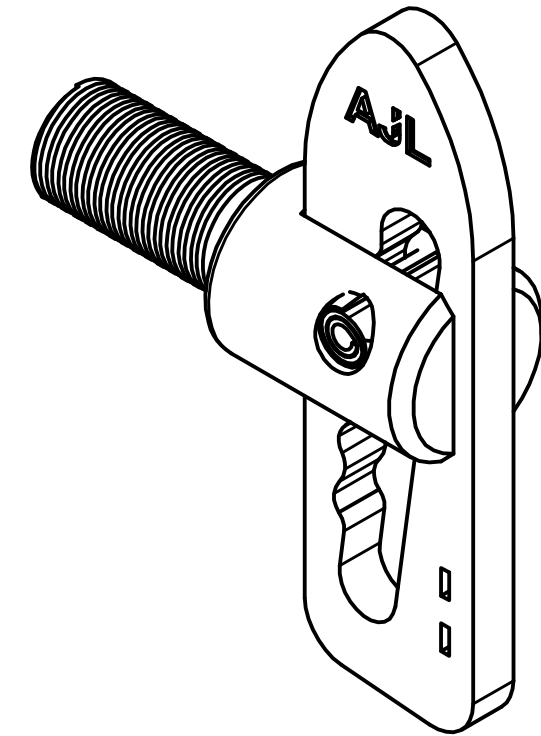
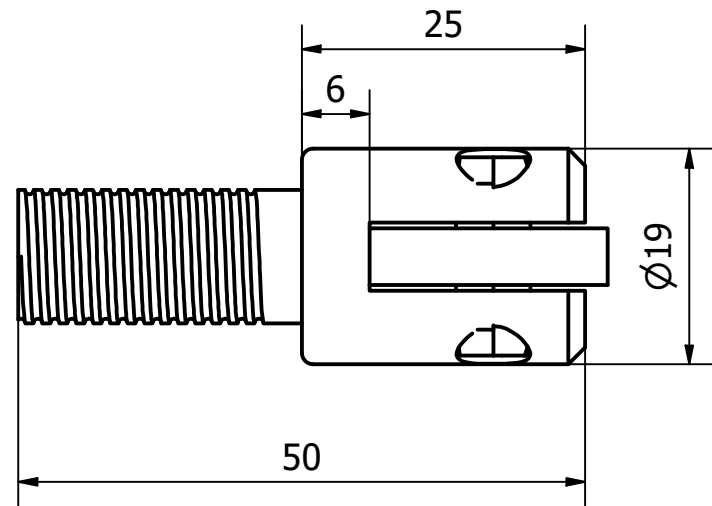


PARTS LIST			
ITEM	QTY	PART NUMBER	DESCRIPTION
1	1	3330319	LARGE A/L COTTER - M/STEEL
2	1	3263-001 BOSS	M12 THREADED BOSS - 50 O/A
3	1	3330233	ANTILUCE SPIRAL PIN - STD



REV	DESCRIPTION	DATE	APPROVED
2	DESIGN UPDATED	07/03/22	K.M
1	VALIDATION COMPLETE	15/06/17	A.P

NOTE
FINISH: ZINC PLATED TO 8 MICRONS THICK WITH J500 CLEAR TOP COAT

GENERAL TOLERANCES ON LENGTHS
0.5 - 6 ± 0.1mm
6 - 30 ± 0.2mm
30 - 120 ± 0.3mm
120 - 400 ± 0.5mm
400 - 1000 ± 0.8mm
1000 - 1200 ± 1.2mm
2000 - 4000 ± 2.0mm

ALBERT JAGGER LTD
GREEN LANE
WALSALL PHONE: 01922 471000
WEST MIDLANDS FAX: 01922 648021
WS2 8HG

THIS DRAWING & THE DESIGN SHOWN ARE THE PROPERTY OF ALBERT JAGGER LTD AND MUST NOT BE USED OR COPIED BY A THIRD PARTY WITHOUT PERMISSION

DRAWN BY
U.F

CHECKED BY
A.P



SCALE
1.5 : 1

MATERIAL
M/STEEL

MASS
0.100 kg

FINISH
SEE NOTE

Date
11/04/2017

ALL DIMS IN MM UNLESS STATED DO NOT SCALE

A3



BOLT ON M12 ANTILUCE™ 25MM SHANK C/W 21MM THREAD
3263-001
Edition 2
Sheet 1 / 1