

A

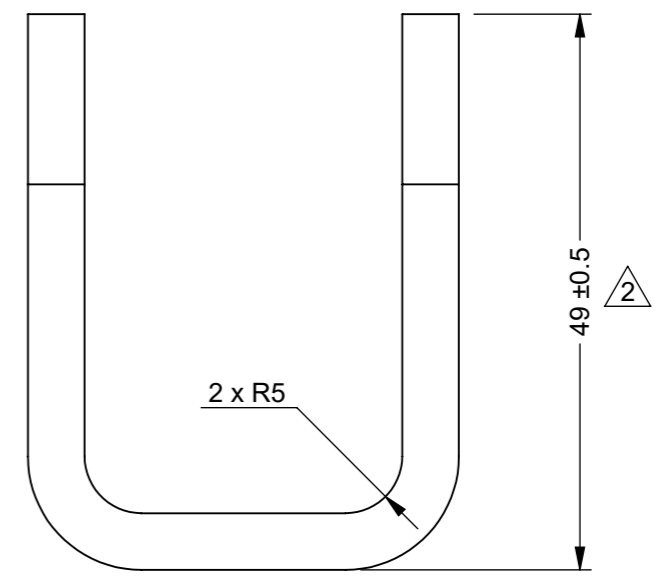
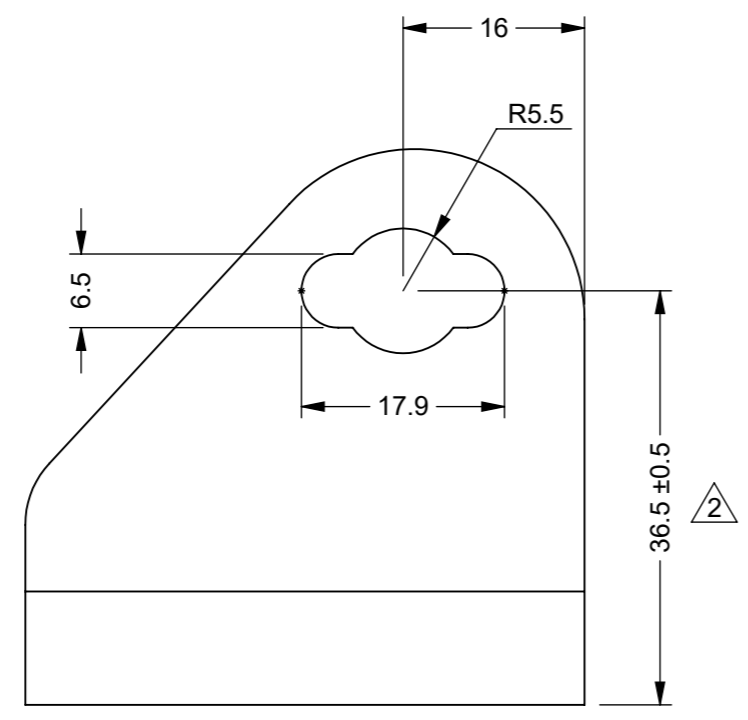
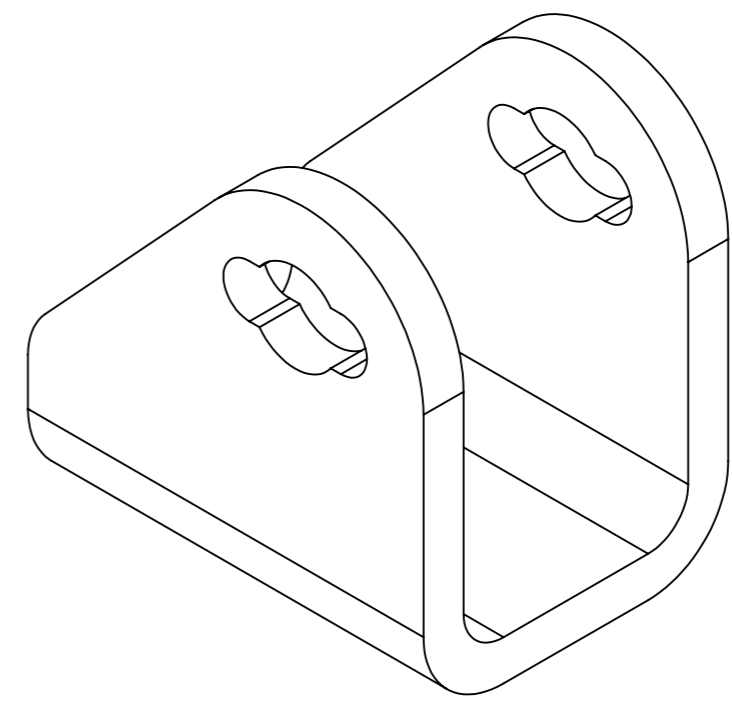
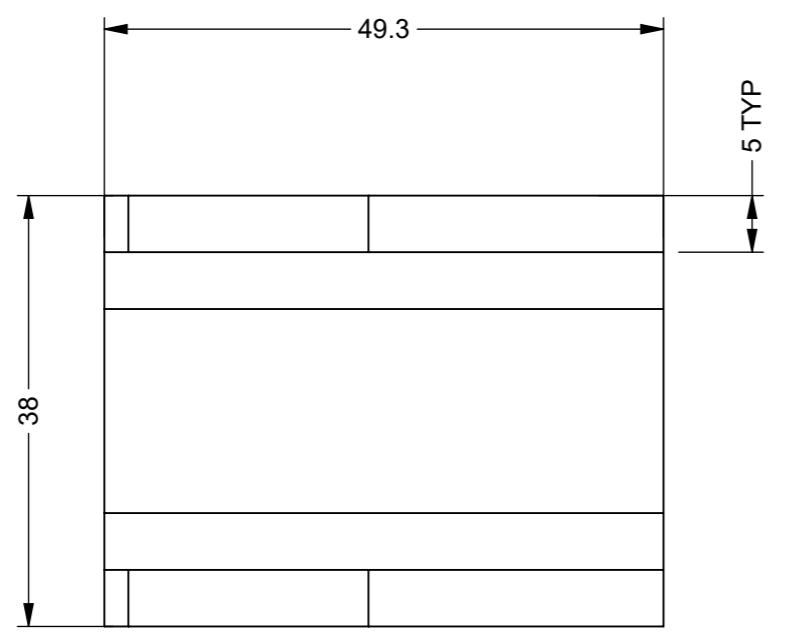
B

C

D

E

F



D2, D5	2	ECR 13 - TOLERANCE ADDED, HEIGHT REDUCED TO 49mm	12/09/2023	U.F
ZONE	REV.	DESCRIPTION	DATE	APPROVED

REVISIONS

UNLESS OTHERWISE STATED, ALL DIMENSIONS IN mm

TOLERANCES		SURFACE FINISH 1.6µm Ra	
0.5 - 6	= ±0.1mm	FILLET RADII	0.5 TO 1.0
6 - 30	= ±0.2 mm	SQUARENESS	0.05 IN 25
30 - 120	= ±0.3 mm	PARALLELISM	0.05 IN 25
120 - 400	= ±0.5 mm	RUNOUT	0.1
400 - 1000	= ±0.8 mm	ANGLES	±0.5°
1000 - 2000	= ±1.2 mm		
2000 - 4000	= ±2.0 mm		

MATERIAL: PRESSED M/STEEL	DRAWN BY: UF	DESCRIPTION: STEEL TAILBOARD RETAINING BRACKET			A3
MASS: 0.19	CHECKED BY: A.P	NUMBER: 3987-003	REVISION: 2	SHEET: 1 of 1	
FINISH: NATURAL	APPROVED BY: A.P	ORIGINATION DATE: 12/09/2023	SCALE : PROPORTIONAL - DO NOT SCALE REF SCALE 1:1 WHEN PRINTED ON A3		

PROPRIETARY RIGHTS ARE INCLUDED IN THE INFORMATION DISCLOSED HEREIN. NEITHER THIS DOCUMENT NOR ANY INFORMATION DISCLOSED SHALL BE REPRODUCED, USED, TRANSFERRED TO OTHER DOCUMENTS, OR DISCLOSED TO OTHERS FOR ANY PURPOSE INCLUDING MANUFACTURING UNLESS SPECIFICALLY AUTHORISED IN WRITING
REMOVE ALL SHARP EDGES AND BURRS
PART FINISHING AND MARKING TO CESF001

