

6 1 5 1 4 3 1 2 1 1

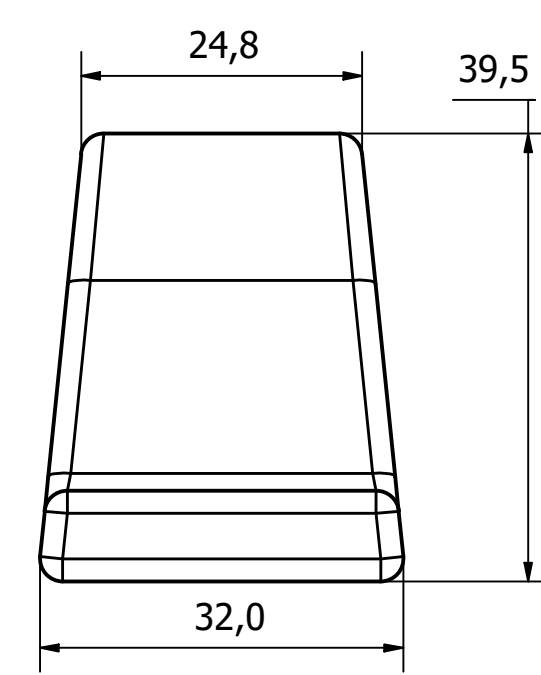
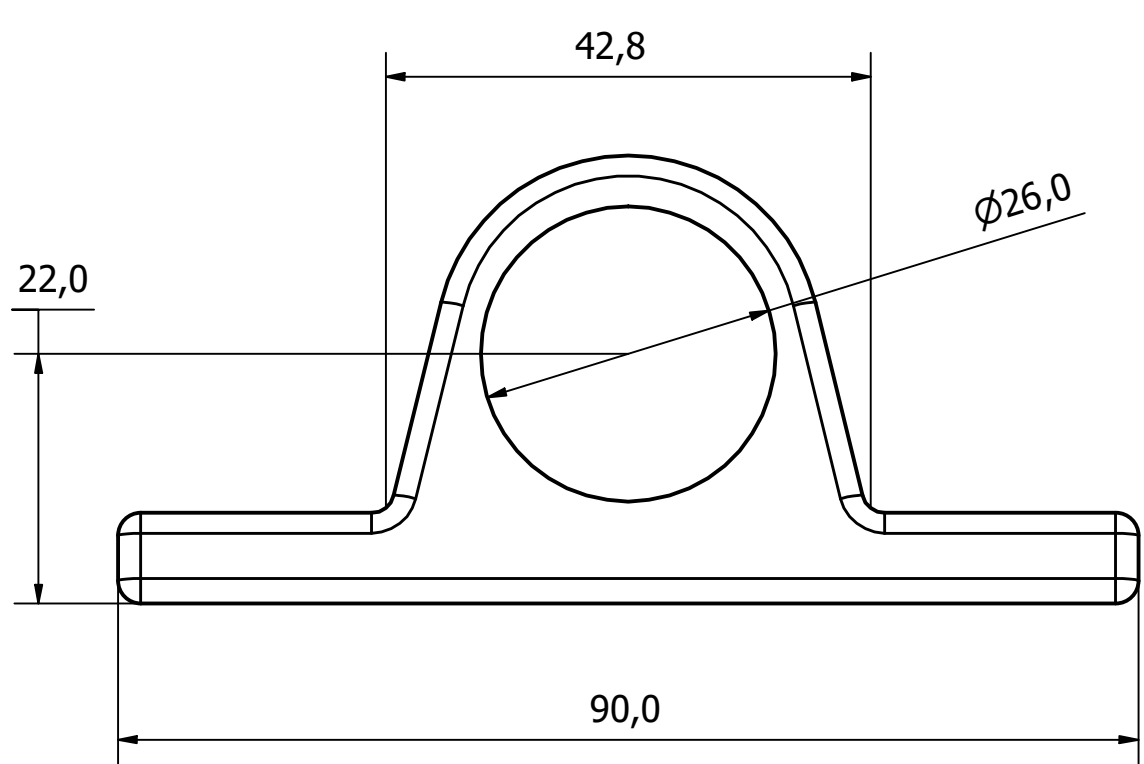
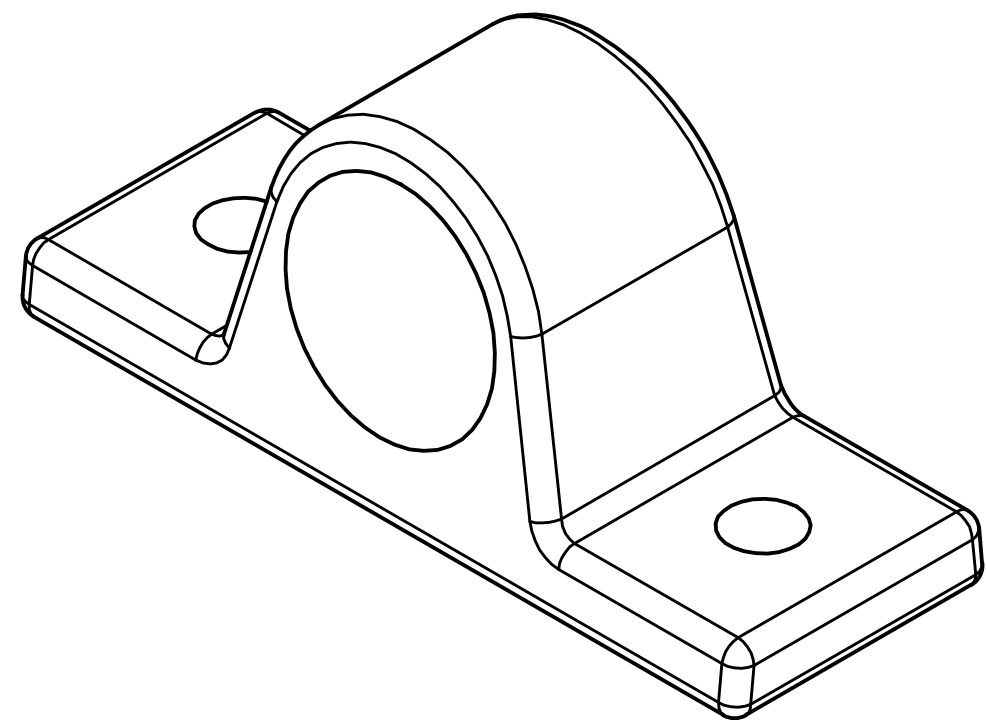
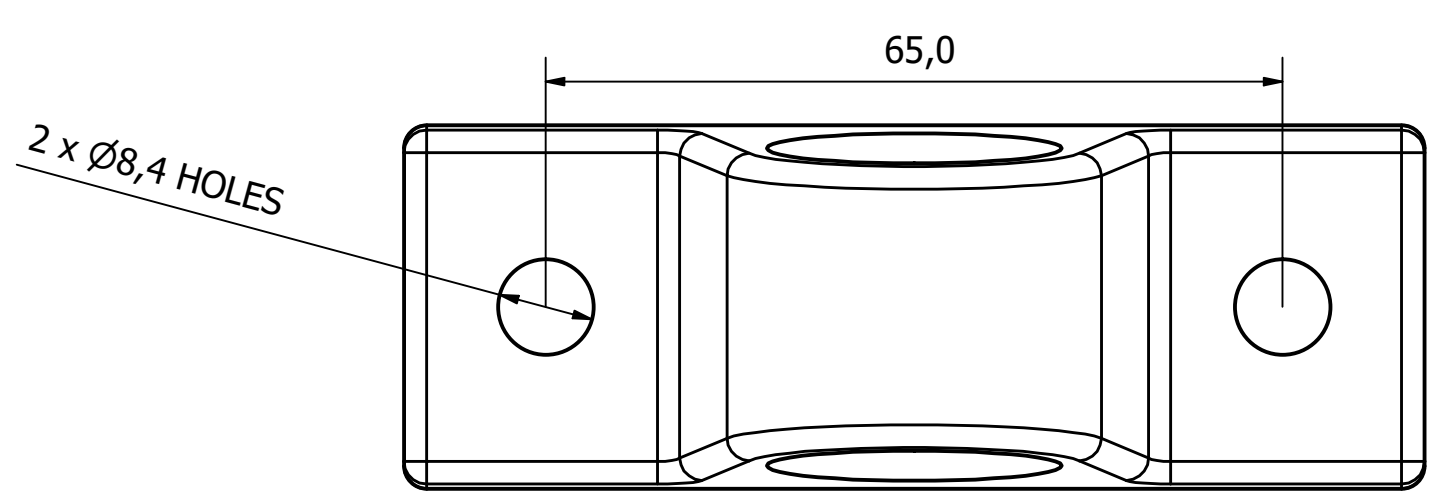
D D

C C

B B

A A

6 1 5 1 4 3 1 2 1 1



1	VALIDATION COMPLETE	18/03/19	A.P
REV	DESCRIPTION	DATE	APPROVED

NOTE:  
TO SUIT Ø25 BAR

GENERAL TOLERANCES ON LENGTHS

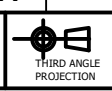
0.5 - 6 ± 0.1mm
6 - 30 ± 0.2mm
30 - 120 ± 0.3mm
120 - 400 ± 0.5mm
400 - 1000 ± 0.8mm
1000 - 2000 ± 1.2mm
2000 - 4000 ± 2.0mm

ALBERT JAGGER LTD  
GREEN LANE  
WALSALL PHONE: 01922 471000  
WEST MIDLANDS FAX: 01922 648021  
WS2 8HG

THIS DRAWING & THE DESIGN SHOWN ARE THE PROPERTY OF ALBERT JAGGER LTD AND MUST NOT BE USED OR COPIED BY A THIRD PARTY WITHOUT PERMISSION

DRAWN BY  
A.S

CHECKED BY  
A.P



SCALE  
1.5:1

MATERIAL  
M/STEEL

MASS  
0.275 kg

FINISH  
ZINC

Date  
13/03/2019

ALL DIMS IN MM UNLESS STATED DO NOT SCALE

A3



TAILBOARD LOCKING BAR BRACKETS - BOLT ON	
4050-100	Edition 1 / Sheet 1 / 1