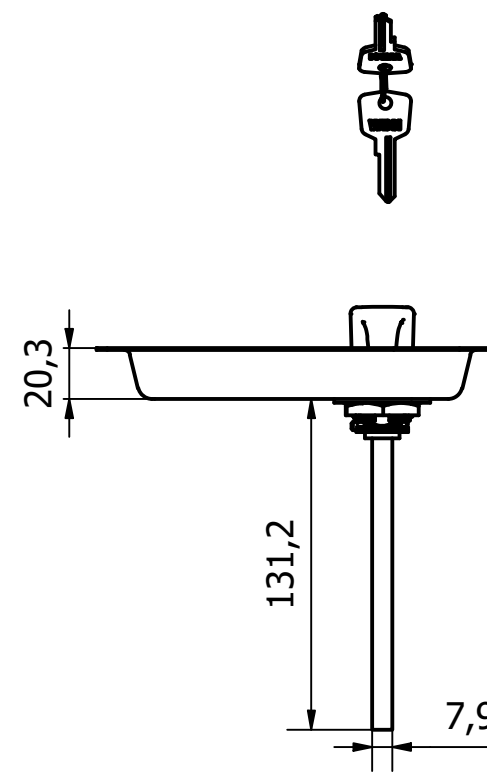
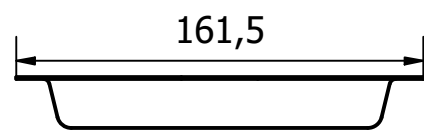
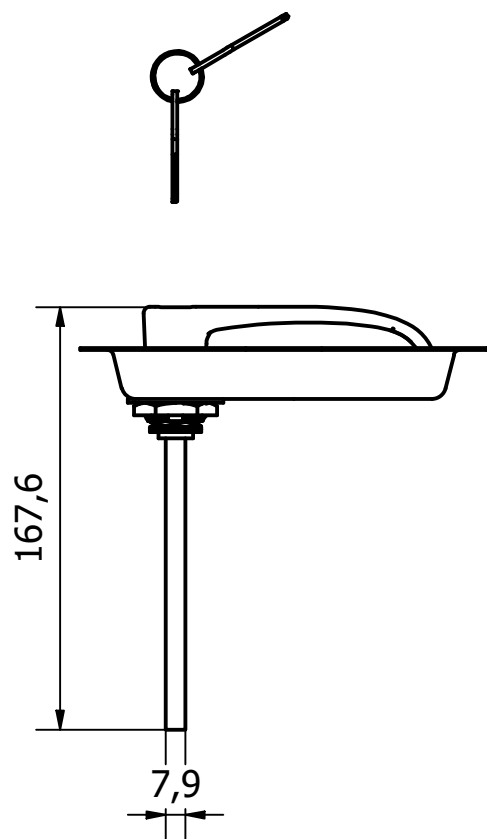
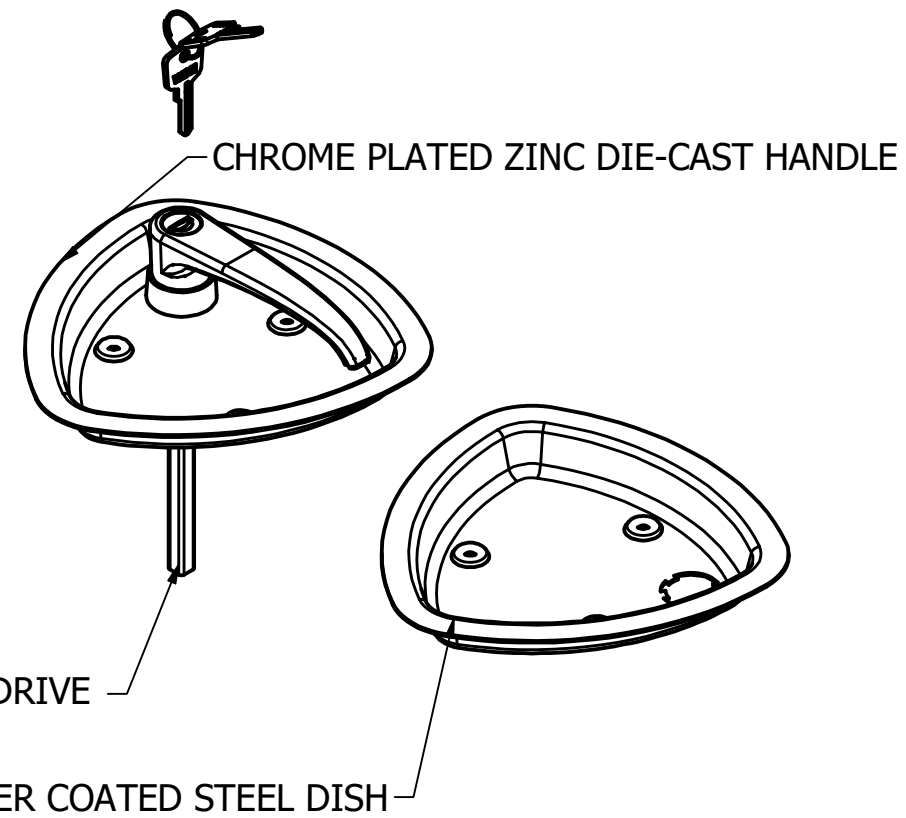


6 x Ø4,2 HOLES ON A Ø82 P.C.D



1	VALIDATION COMPLETE	20/05/19	A.P
REV	DESCRIPTION	DATE	APPROVED

GENERAL TOLERANCES ON LENGTHS	
0.5 - 6 ± 0.1mm	
6 - 30 ± 0.2mm	
30 - 120 ± 0.3mm	
120 - 400 ± 0.5mm	
400 - 1000 ± 0.8mm	
1000 - 2000 ± 1.2mm	
2000 - 4000 ± 2.0mm	

ALBERT JAGGER LTD  
 GREEN LANE  
 WALSALL PHONE: 01922 471000  
 WEST MIDLANDS FAX: 01922 648021  
 WS2 8HG

THIS DRAWING & THE DESIGN SHOWN ARE THE PROPERTY OF ALBERT JAGGER LTD AND MUST NOT BE USED OR COPIED BY A THIRD PARTY WITHOUT PERMISSION

DRAWN BY  
A.S

CHECKED BY  
A.P



SCALE  
1 : 3

MATERIAL  
SEE DRAWING

MASS  
0.000 kg

FINISH  
SEE DRAWING

Date  
08/02/2019

ALL DIMS IN MM UNLESS STATED DO NOT SCALE

A3



BLACK EQUILATERAL PANS AND 1 HDL

5589-355

Edition	Sheet
1	1 / 1