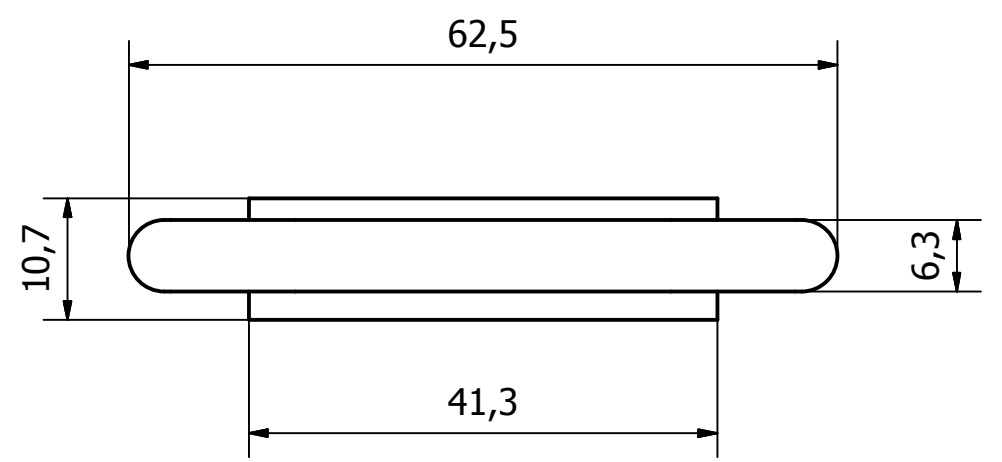
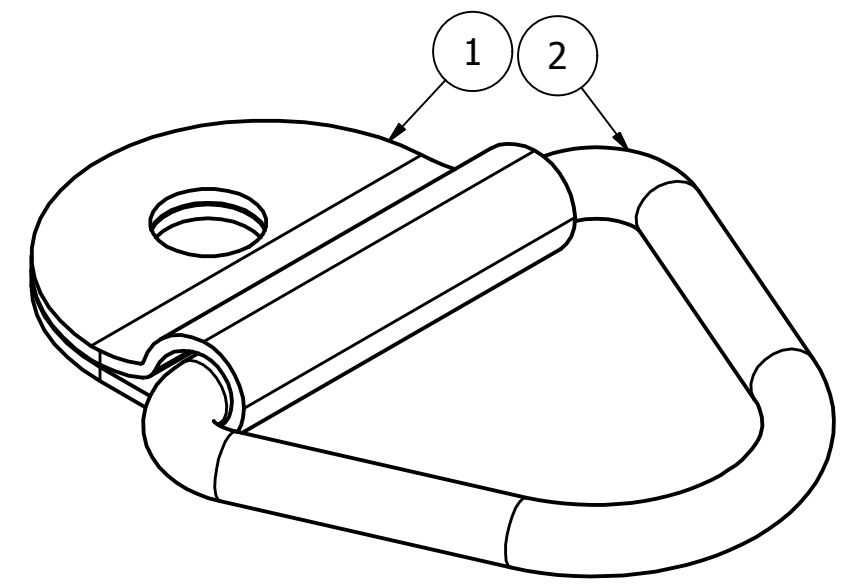


| PARTS LIST | | | |
|------------|-----|-------------|---------------------------------|
| ITEM | QTY | PART NUMBER | DESCRIPTION |
| 1 | 1 | 5589-5151-1 | M/STEEL RING CLAMP |
| 2 | 1 | 5589-5151-2 | M/STEEL TRIANGULAR LASHING RING |



| GENERAL TOLERANCES ON LENGTHS | |
|-------------------------------|---------|
| 0.5 - 6 | ± 0.1mm |
| 6 - 30 | ± 0.2mm |
| 30 - 120 | ± 0.3mm |
| 120 - 400 | ± 0.5mm |
| 400 - 1000 | ± 0.8mm |
| 1000 - 2000 | ± 1.2mm |
| 2000 - 4000 | ± 2.0mm |

ALBERT JAGGER LTD
 GREEN LANE
 WALSALL PHONE: 01922 471000
 WEST MIDLANDS FAX: 01922 648021
 WS2 8HG

THIS DRAWING & THE DESIGN SHOWN
 ARE THE PROPERTY OF ALBERT JAGGER LTD
 AND MUST NOT BE USED OR COPIED BY A
 THIRD PARTY WITHOUT PERMISSION

DRAWN BY
 U.F

CHECKED BY
 A.P

SCALE
 1.5:1

MATERIAL
 -

MASS
 0.075 kg

FINISH
 Z/C
 PASSIVATE

Date
 12/06/2017

ALL DIMS IN MM
 UNLESS STATED
 DO NOT SCALE

| 1 | VALIDATION COMPLETE | 28/07/17 | A.P |
|-----|---------------------------------|--------------|----------------|
| REV | DESCRIPTION | DATE | APPROVED |
| | M/STEEL TRIANGULAR LASHING RING | | |
| | 5589-5151 | Edition 1 | Sheet 1 / 1 |

