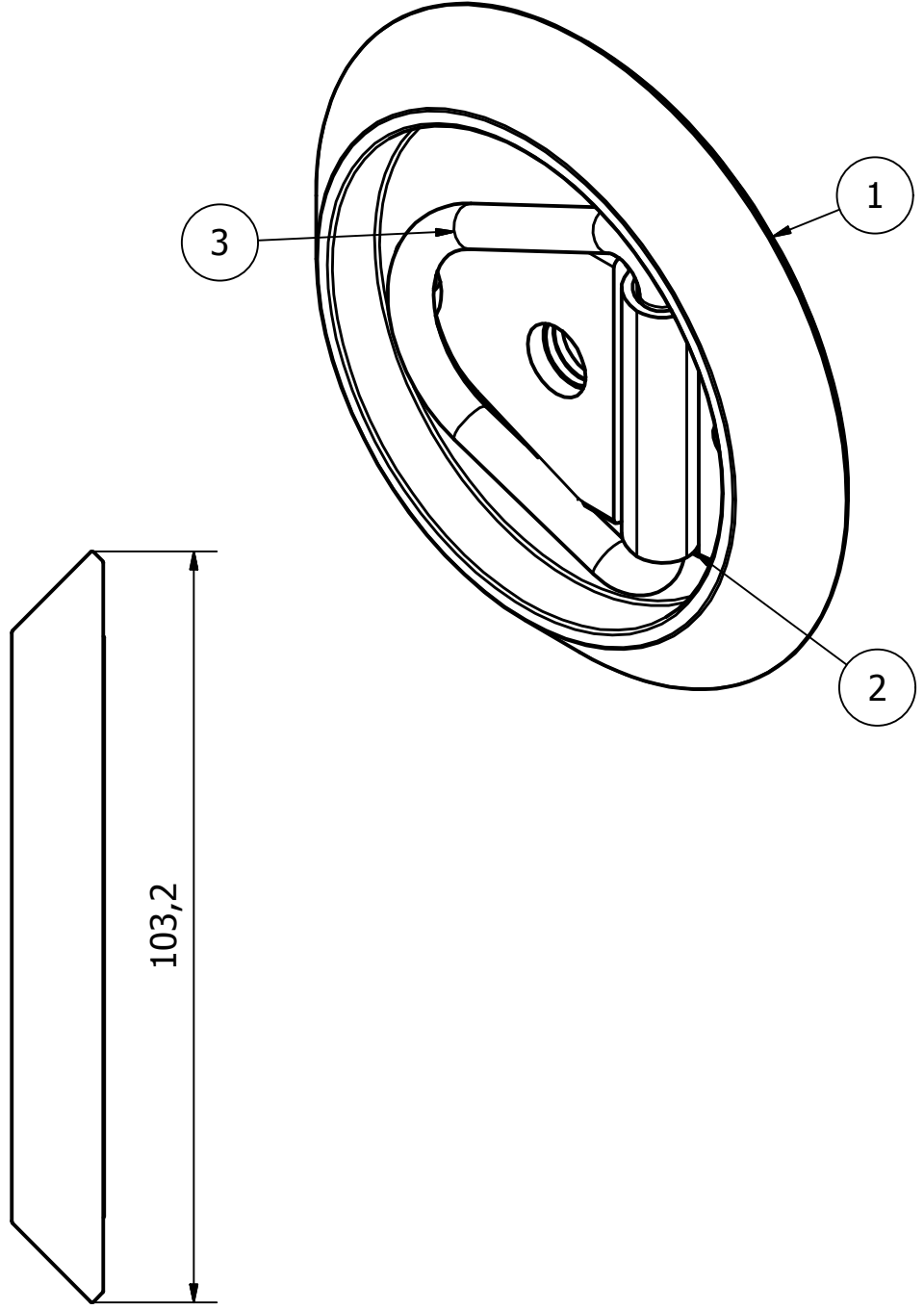
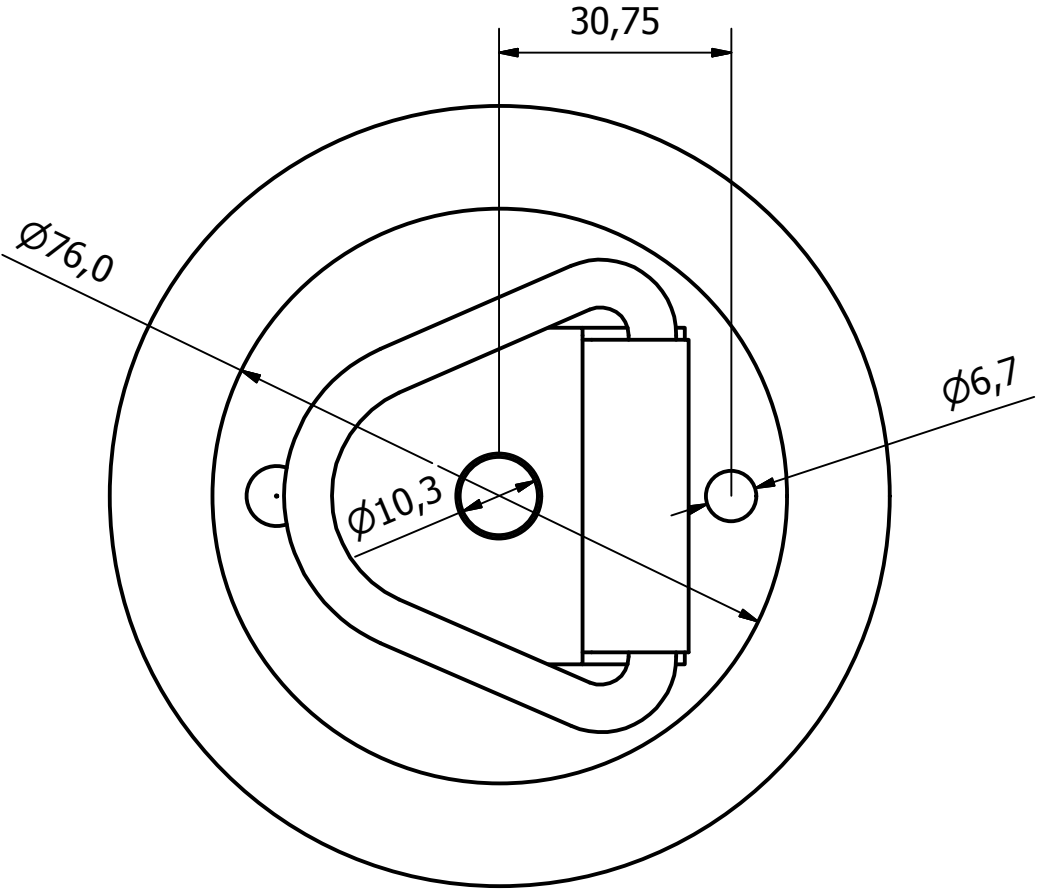


PARTS LIST			
ITEM	QTY	PART NUMBER	DESCRIPTION
1	1	5589-515-1	BLACK POLYPROPYLENE CIRCULAR BASE
2	1	5589-5151-1	M/STEEL RING CLAMP
3	1	5589-5151-2	M/STEEL TRIANGULAR LASHING RING



NOTE:
ZINC PLATED RING AND CLAMP WITH A BLACK POLYPROPYLENE CIRCULAR BASE.

362kg S.W.L

GENERAL TOLERANCES ON LENGTHS
0.5 - 6 ± 0.1mm
6 - 30 ± 0.2mm
30 - 120 ± 0.3mm
120 - 400 ± 0.5mm
400 - 1000 ± 0.8mm
1000 - 2000 ± 1.2mm
2000 - 4000 ± 2.0mm

ALBERT JAGGER LTD
GREEN LANE
WALSALL PHONE: 01922 471000
WEST MIDLANDS FAX: 01922 648021
WS2 8HG

THIS DRAWING & THE DESIGN SHOWN ARE THE PROPERTY OF ALBERT JAGGER LTD AND MUST NOT BE USED OR COPIED BY A THIRD PARTY WITHOUT PERMISSION

DRAWN BY
U.F

CHECKED BY
A.P



SCALE
1 : 1

MATERIAL
-

MASS
0.103 kg

FINISH
SEE NOTE

Date
16/06/2017

ALL DIMS IN MM UNLESS STATED DO NOT SCALE

A3

1	VALIDATION COMPLETE	28/07/17	A.P
REV	DESCRIPTION	DATE	APPROVED



TIE-DOWN RING	
5589-515	Edition 1 / Sheet 1 / 1