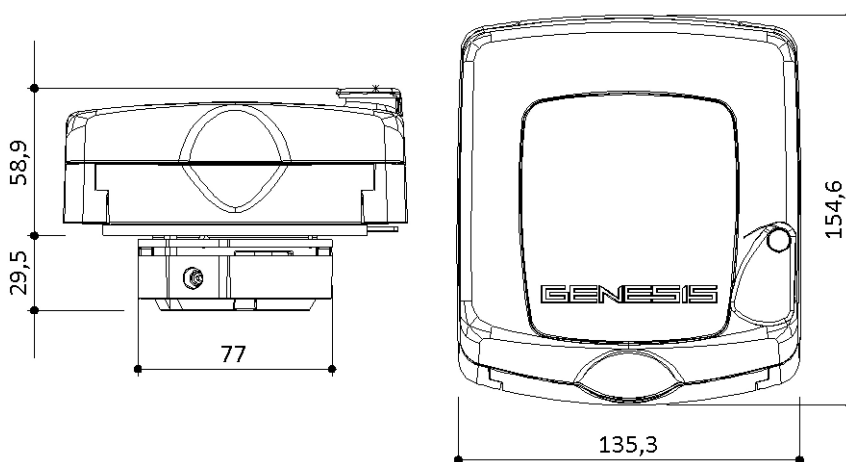


586756045 - ZIPPER LOCK WIRELESS 105

Self closing ventilated fuel cap. Features quick mount 105mm bayonet, lock, built in electronic activation and wireless transmitter which can be used to trigger events upon fuel cap opening. Must be purchased with one of the possible receiver unit options: 077351003 SMS ALERT UNIT FOR ZIPPER WIRELESS or 077351004 RECEIVER UNIT FOR ZIPPER WIRELESS

For tank necks with bayonet fitting 105mm.-DAF: all models -MAN: all models-VOLVO: all models -MERCEDES: all models-IVECO: Stralis, EuroStar, EuroTec, Trakker, EuroTrakker, EuroCargo with metal fuel tanks-RENAULT: Premium, Magnum, Midlum with metal fuel tanks-LAMBERET: reefer semi-trailer SR2-DOOSAN plant machinery BI2P-LIEBHERR excavators, mod. 2926 – 2916 – 2914



TECHNICAL DATA

Main Body Material	POM Acetalic Resin
Gasket material	NBR rubber
Weight	865 g
Package type	Carton Box
Package contents	1 pc in carton box
Multipack	12 pcs in master carton box

ACCESSORIES

code	item	description
077351003	SMS UNIT FOR ZIPPER WIRELESS	Used in conjunction with ZIPPER WIRELESS, this unit is installed in the cabin of the vehicle and receives the signal of the ZIPPER fuel cap via radio frequency, providing output to a buzzer and other devices which are in turn connected. This unit provides an SMS text message to a number programmed by the user whenever ZIPPER is opened. SIM Card NOT INCLUDED
077351004	RECEIVER UNIT FOR ZIPPER WIRELESS	Used in conjunction with ZIPPER WIRELESS, this unit is installed in the cabin of the vehicle and receives the signal of the ZIPPER fuel cap via radio frequency, providing output to a buzzer and other devices which are in turn connected.

SPARE PARTS

code	item	description
050707029	GUAR GHIERA ZIPPER105 ALT NIT 70SH AR	Gasket for devices bearing 105 mount