

6 5 4 3 2 1

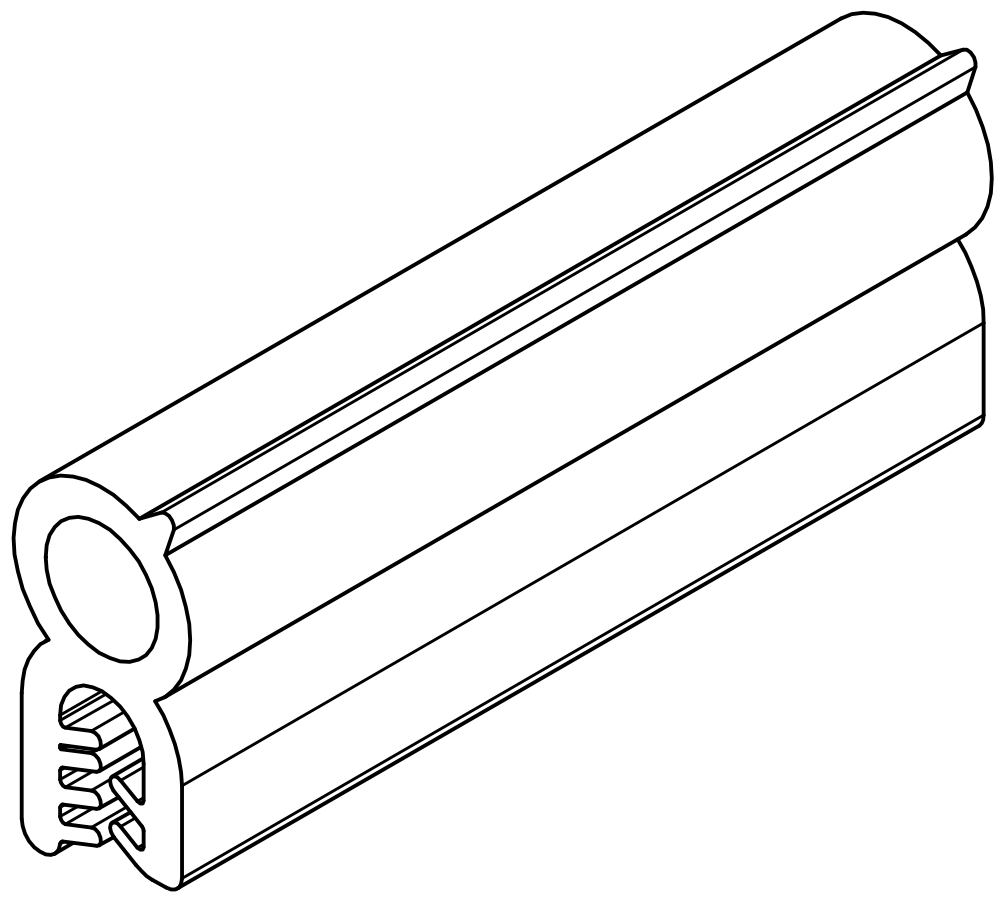
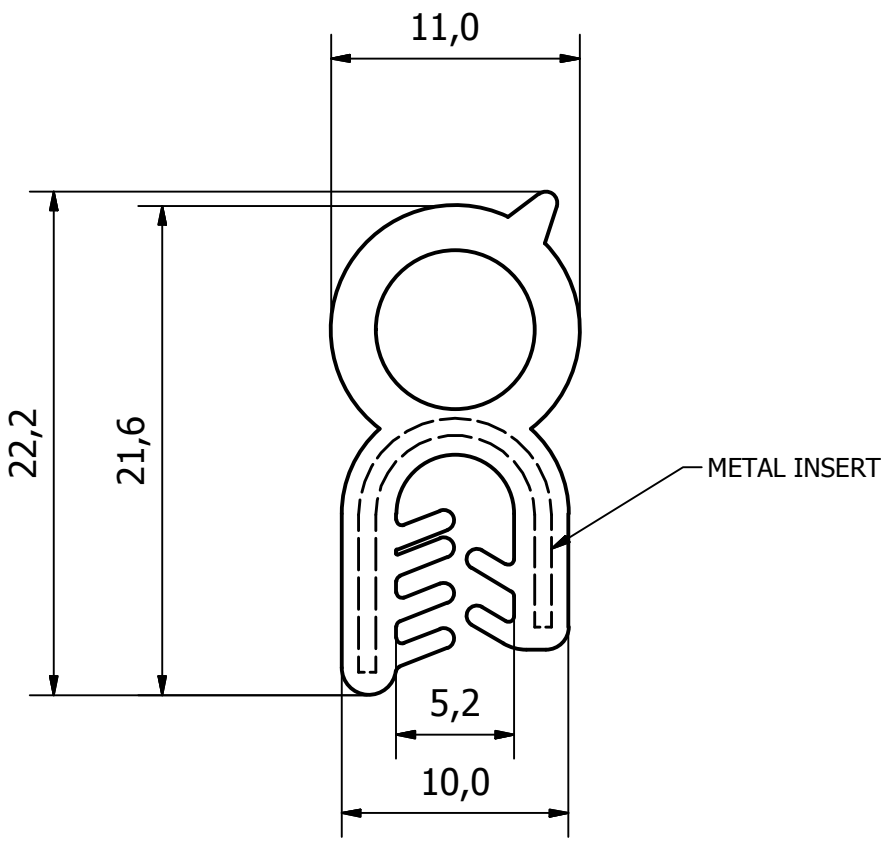
D

C

B

A

6 5 4 3 2 1



NOTE:  
MATERIALS USED:  
EPDM SPONGE  
STEEL INSERT  
POLYESTER THREAD  
GRIP RANGE - 1.5 - 2.5mm

GENERAL TOLERANCES ON LENGTHS
0.5 - 6 ± 0.1mm
6 - 30 ± 0.2mm
30 - 120 ± 0.3mm
120 - 400 ± 0.5mm
400 - 1000 ± 0.8mm
1000 - 2000 ± 1.2mm
2000 - 4000 ± 2.0mm

ALBERT JAGGER LTD  
GREEN LANE  
WALSALL PHONE: 01922 471000  
WEST MIDLANDS FAX: 01922 648021  
WS2 8HG  
THIS DRAWING & THE DESIGN SHOWN ARE THE PROPERTY OF ALBERT JAGGER LTD AND MUST NOT BE USED OR COPIED BY A THIRD PARTY WITHOUT PERMISSION

DRAWN BY  
U.F

CHECKED BY  
A.P



SCALE  
3 : 1

MATERIAL  
SEE NOTE

MASS  
-

FINISH  
BLACK

Date  
25/09/2017

ALL DIMS IN MM UNLESS STATED DO NOT SCALE

A3

1	VALIDATION COMPLETE	27/09/17	A.P
REV	DESCRIPTION	DATE	APPROVED
50m COIL BOOT SEAL		Edition 1	Sheet 1 / 1
6239-001			