
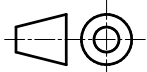


ACCURACY LINEAR DIMENSIONS					REVIEW	N°2	DATE	DESCRIPTION	DRAFTSMAN		
to 6	±0.1	from 6 to 30	±0.2	from 30 to 120		±0.3	from 120 to 315	±0.5	N°1	DATE	DESCRIPTION
from 315 to 1000	±0.8	from 1000 to 2000	±1.2	from 2000 to 4000	±2.0	from 4000	±3.0	MATERIAL		TREATMENT	DRAFTSMAN
					STEEL			Guglielmo Callegarin			
 <p><b>Lago Accessori srl</b> via 1°Maggio 20, 35014 Fontaniva (Pd) Italy Tel: +39 049 5940932 Fax: +39 049 5940599 www.lagoaccessori.net info@lagoaccessori.net</p>					SCALE	15/01/2020		SET			
					1 : 10	CREATION DATE		DRAWING CODE			
					SHEET	1/2		DESCRIPTION			
							KIT SUPP. DAY/T MOT/T NERO TEL.700				
					<p style="text-align: right; color: blue;">CODE AND DESCRIPTION OF FINISHED PRODUCT</p>						
LAGO ACCESSORI COPYRIGHT. ANY RIPRODUCTION WITHOUT WRITTEN PERMISSION OF LAGO ACCESSORI IS FORBIDDEN											

1

2

3

4

5

6

A

B

C

D

E

F

G

H

A

B

C

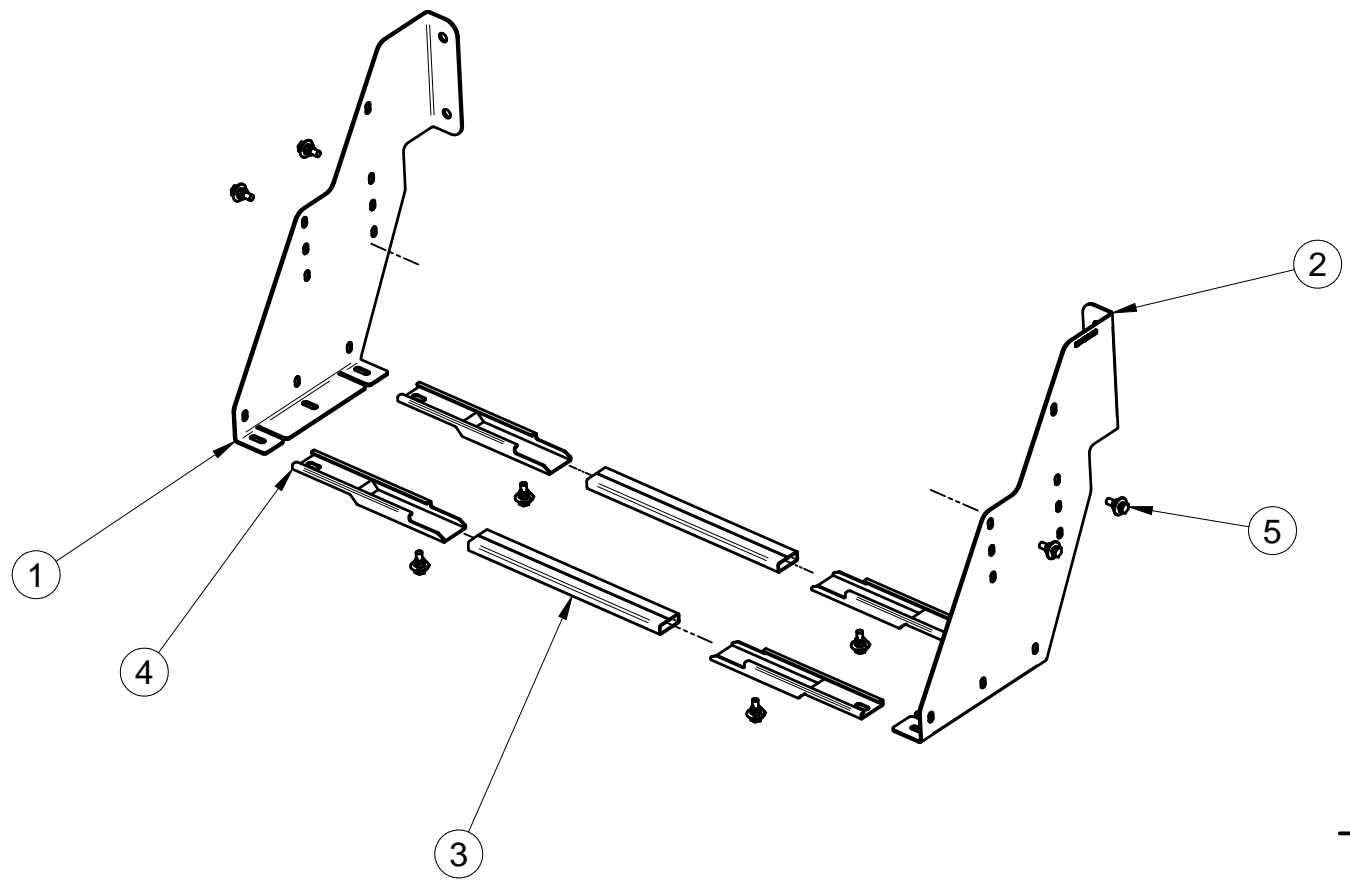
D

E

F

G

H



POSIZIONE	CODICE	QUANTITA'	DESCRIZIONE
1	321638037	1	SUPP.NERO TEL. DAY/T MOT/T 1000/700 SX
2	321638036	1	SUPP.NERO TEL. DAY/T MOT/T 1000/700 DX
3	471647015	2	PROFILO INF.NERO DAY/T MOT/T 700
4	471623000	4	TERMINALE V.NERO PROF.INF. CASSETTA
5	071103001	1	KIT VITERIA X 8 PROFILI "L" SUPP.PIANALE

<b>ACCURACY</b> <b>LINEAR DIMENSIONS</b>				REVIEW N°2 N°1	DATE	DESCRIPTION	DRAFTSMAN				
to 6	±0.1	from 6 to 30	±0.2		from 30 to 120	±0.3	from 120 to 315	±0.5	DATE	DESCRIPTION	DRAFTSMAN
from 315 to 1000	±0.8	from 1000 to 2000	±1.2	from 2000 to 4000	±2.0	from 4000	±3.0	MATERIAL		TREATMENT	DRAFTSMAN <b>Guglielmo Callegarin</b>
<b>ANGULAR DIMENSIONS</b>				CREATION DATE 15/01/2020		SET DRAWING CODE 311668040.asm					
from 6	±1°	to 6 from 30	±30'	from 30 to 120	±20'	from 120	±10'	SHEET 2/2		DESCRIPTION KIT SUPP. DAY/T MOT/T NERO TEL.700 <b>CODE AND DESCRIPTION OF FINISHED PRODUCT</b>	
		Lago Accessori srl via 1°Maggio 20, 35014 Fontaniva (Pd) Italy Tel: +39 049 5940932 Fax: +39 049 5940599 www.lagoaccessori.net info@lagoaccessori.net				LAGO ACCESSORI COPYRIGHT. ANY RIPRODUCTION WITHOUT WRITTEN PERMISSION OF LAGO ACCESSORI IS FORBIDDEN					

1

6