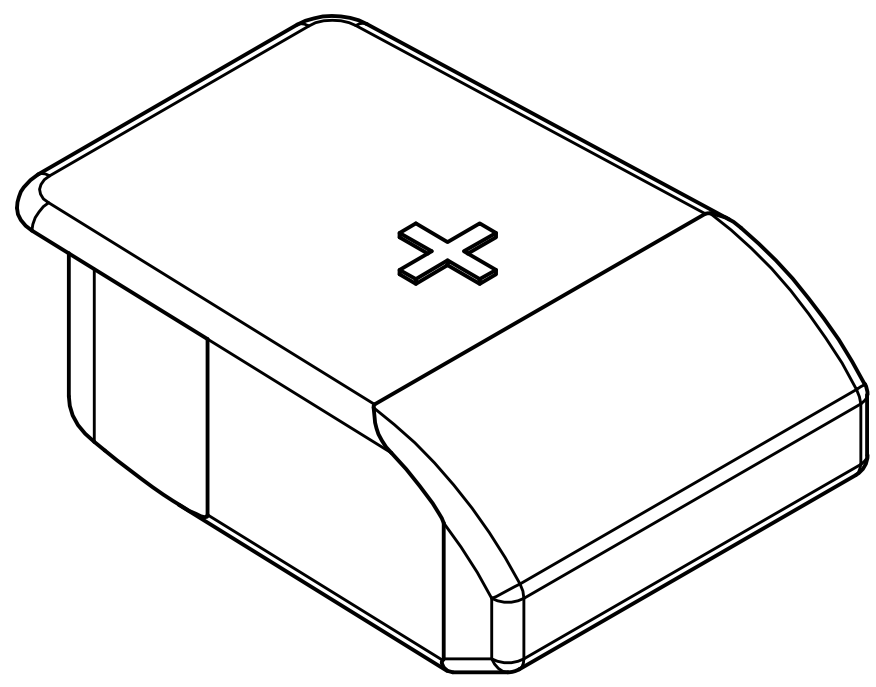
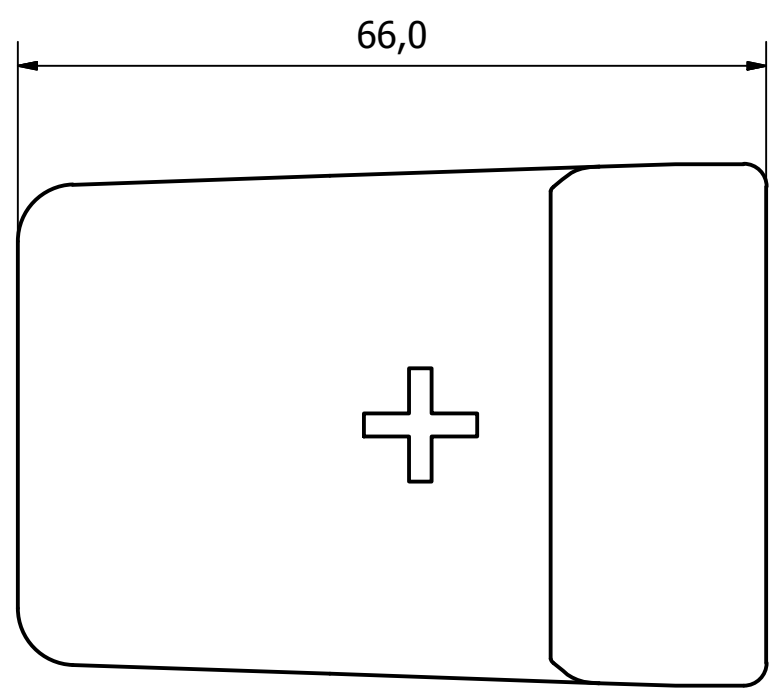


6 1 5 1 4 3 1 2 1 1

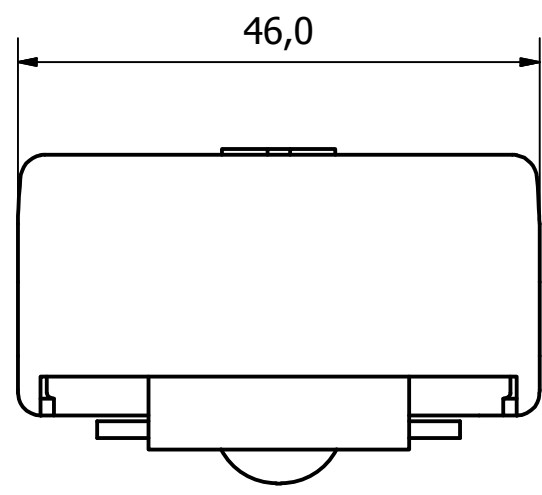
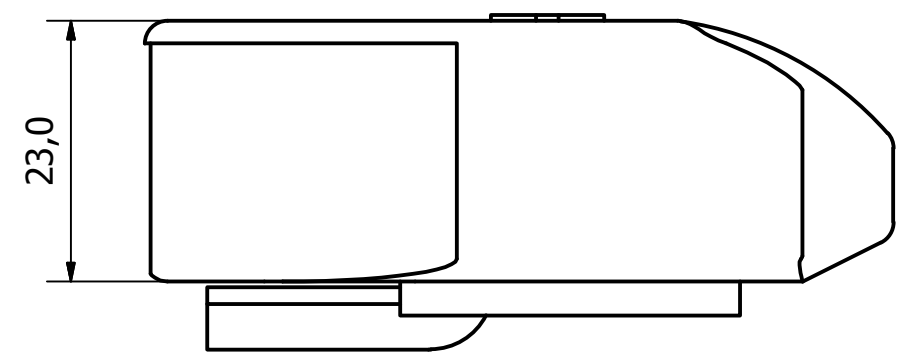
D

D



C

C



B

B

NOTE:

MATERIAL - RED POLYPROPYLENE COVER, COPPER ALLOY AND STAINLESS STEEL (316)

FITS ALL SAE AND DIN BATTERIES

RESISTANCE: APPROX 0.12 MICRO OHMS AND 10A.
CERTIFIED SAFE UP TO 800A

A

A

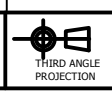
GENERAL TOLERANCES ON LENGTHS	
0.5 - 6 ± 0.1mm	
6 - 30 ± 0.2mm	
30 - 120 ± 0.3mm	
120 - 400 ± 0.5mm	
400 - 1000 ± 0.8mm	
1000 - 2000 ± 1.2mm	
2000 - 4000 ± 2.0mm	

ALBERT JAGGER LTD
GREEN LANE
WALSALL PHONE: 01922 471000
WEST MIDLANDS FAX: 01922 648021
WS2 8HG

THIS DRAWING & THE DESIGN SHOWN ARE THE PROPERTY OF ALBERT JAGGER LTD AND MUST NOT BE USED OR COPIED BY A THIRD PARTY WITHOUT PERMISSION

DRAWN BY
U.F

CHECKED BY
A.P



SCALE
1.5:1

MATERIAL
SEE NOTE

MASS
0.08kg

FINISH
SEE NOTE

Date
08/10/2018

ALL DIMS IN MM UNLESS STATED DO NOT SCALE

A3



RED POSITIVE QUICK RELEASE BATTERY CONNECTOR		Edition	Sheet
9100-45100		1	1 / 1

1	VALIDATON COMPLETE	08/10/18	A.P
REV	DESCRIPTION	DATE	APPROVED

6 1 5 1 4 3 1 2 1 1