

6 1 5 1 4 3 1 2 1 1

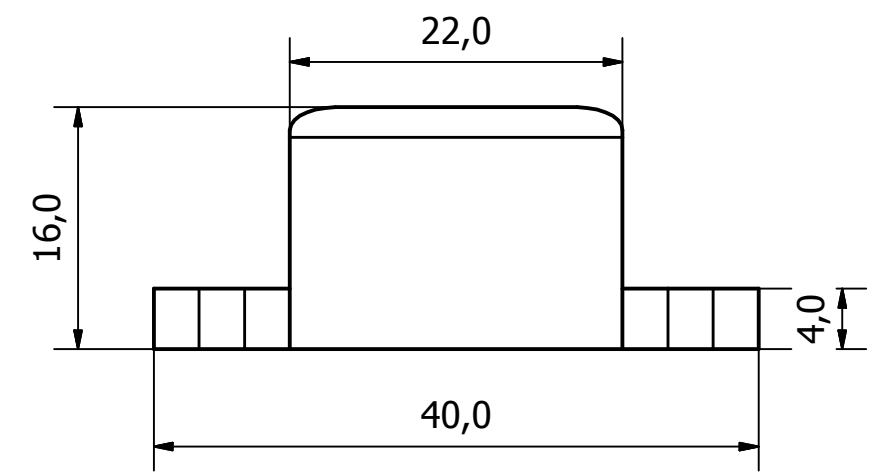
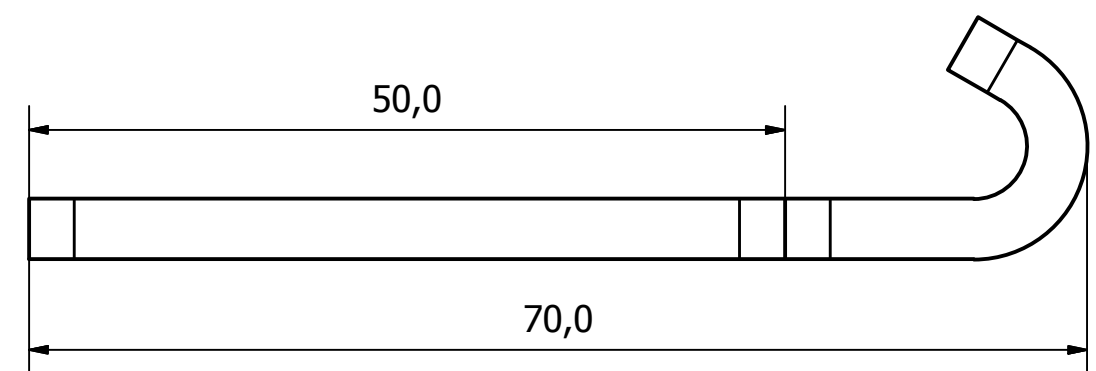
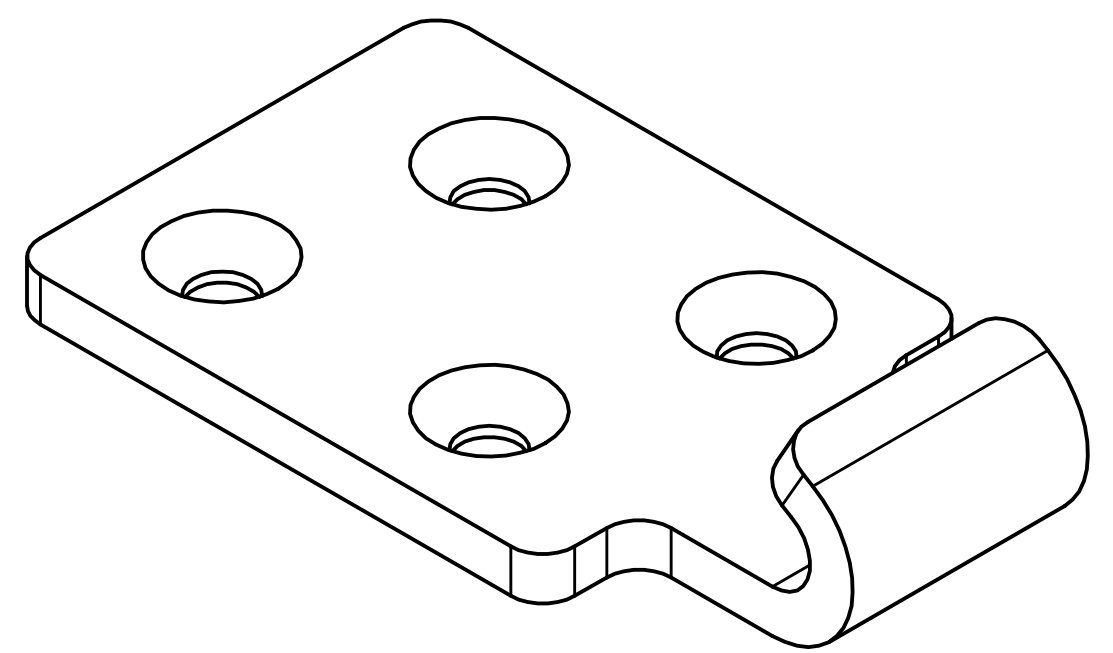
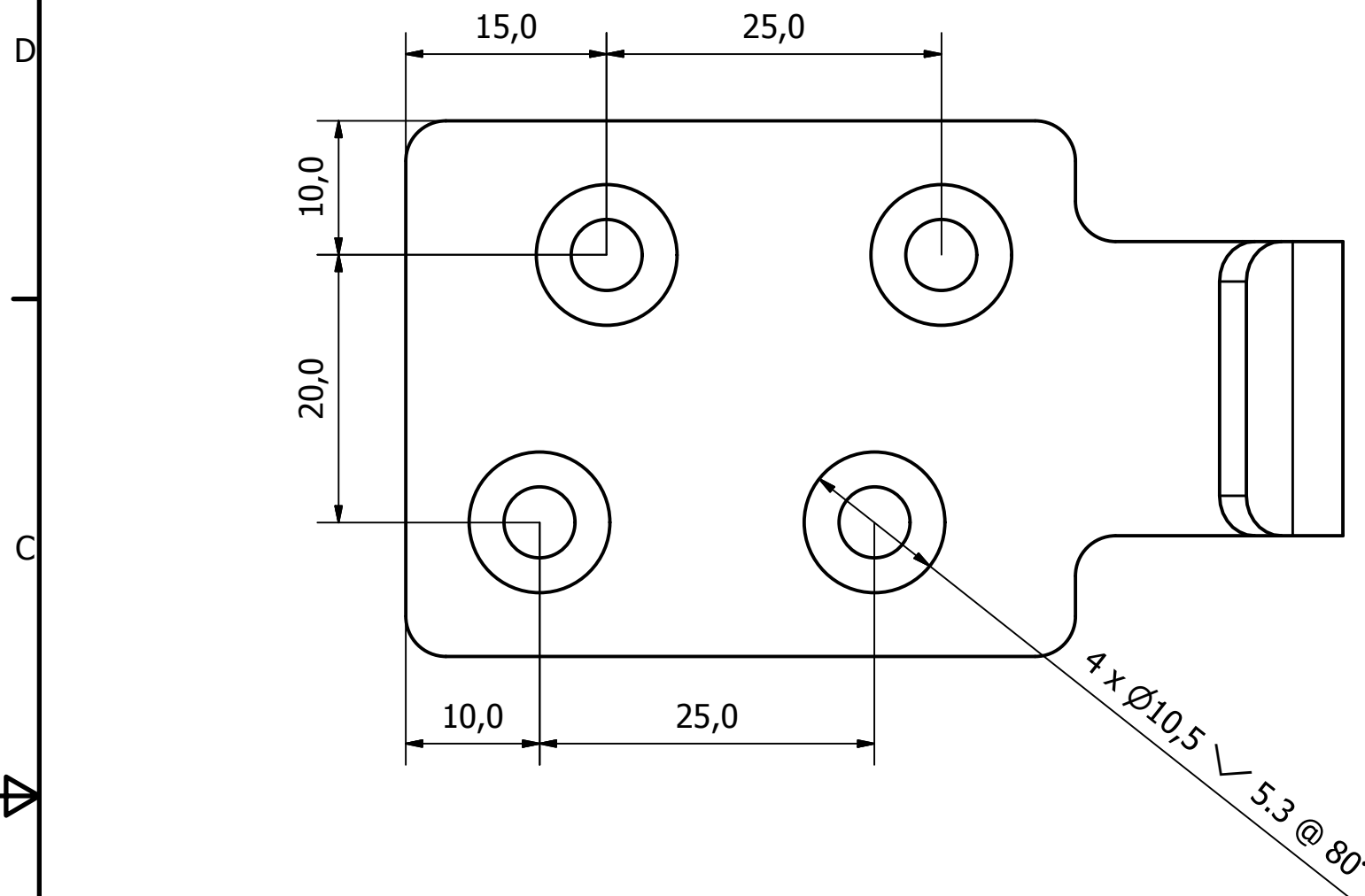
D D

C C

B B

A A

6 1 5 1 4 3 1 2 1 1



NOTE:
FOR USE WITH:

- 9100/51021 - 103C SERIES MEDIUM NON LOCKING OVERCENTRE FASTENER
- 9100/51051 - 203C SERIES MEDIUM LOCKING OVERCENTRE FASTENER
- 9100/51061 - 403C SERIES LARGE LOCKING OVERCENTRE FASTENER
- 9100/51081 - 503C SERIES LARGE LOCKING OVERCENTRE FASTENER
- 9100/51091 - 504C SERIES LARGE NON LOCKING OVERCENTRE FASTENER
- 9100/52106 - 703C SERIES LARGE NON LOCKING OVERCENTRE FASTENER
- 9100/52091 - 703LC SERIES LARGE LOCKING OVERCENTRE FASTENER
- 9100/52096 - 704LC SERIES LARGE LOCKING OVERCENTRE FASTENER

GENERAL TOLERANCES ON LENGTHS	
0.5 - 6 ± 0.1mm	
6 - 30 ± 0.2mm	
30 - 120 ± 0.3mm	
120 - 400 ± 0.5mm	
400 - 1000 ± 0.8mm	
1000 - 2000 ± 1.2mm	
2000 - 4000 ± 2.0mm	

ALBERT JAGGER LTD
GREEN LANE
WALSALL PHONE: 01922 471000
WEST MIDLANDS FAX: 01922 648021
WS2 8HG

THIS DRAWING & THE DESIGN SHOWN ARE THE PROPERTY OF ALBERT JAGGER LTD AND MUST NOT BE USED OR COPIED BY A THIRD PARTY WITHOUT PERMISSION

DRAWN BY
U.F

1	VALIDATION COMPLETE	15/03/18	A.P
REV	DESCRIPTION	DATE	APPROVED
A.P		20/02/2018	



SCALE	MATERIAL	MASS	FINISH	Date	ALL DIMS IN MM UNLESS STATED DO NOT SCALE	A3
2 : 1	M/STEEL	0.078 kg	Z+C PASSIVATE	20/02/2018		

M/STEEL 22C SERIES LARGE STRIKER	
9100-522531	
Edition 1	Sheet 1 / 1