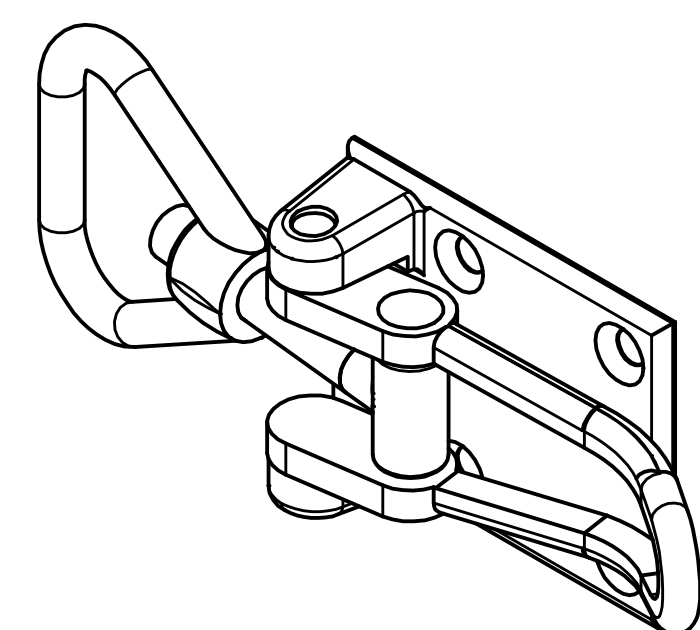
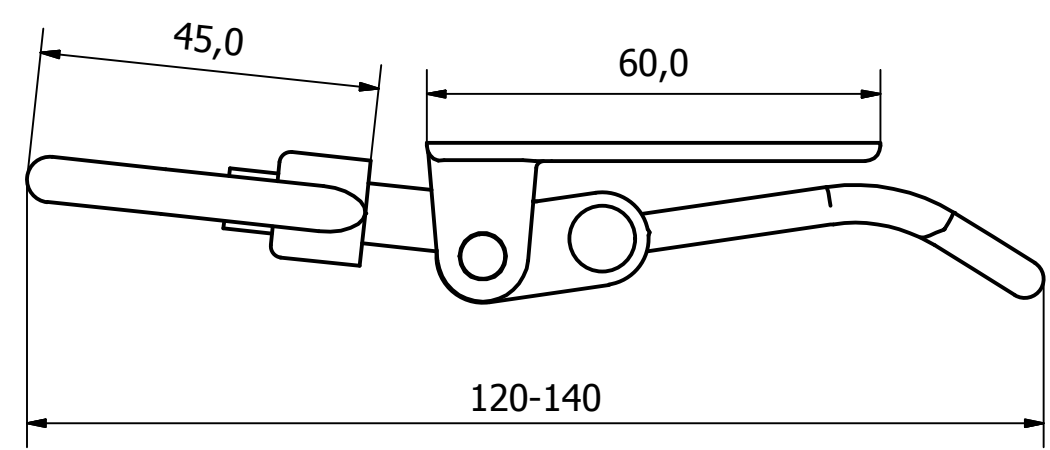


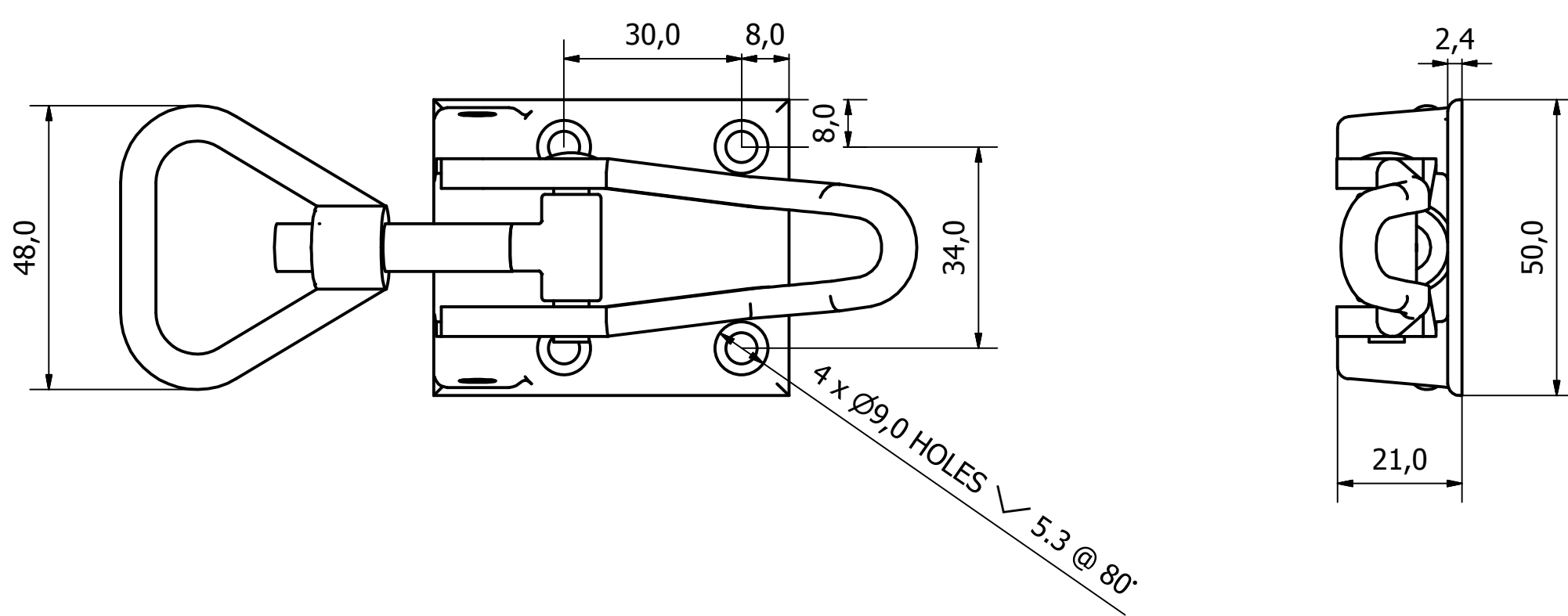
6 5 4 3 2 1

D



C

B



NOTE:  
LOAD CAPACITY - 500kg/1101lbs

FOR USE WITH:  
9100/54443 - 20C SERIES LARGE STRIKER PLATE  
9100/54453 - 22C SERIES LARGE STRIKER PLATE  
9100/54483 - 41C SERIES MEDIUM STRIKER PLATE

1	VALIDATION COMPLETE	24/04/18	A.P
REV	DESCRIPTION	DATE	APPROVED

<p>GENERAL TOLERANCES ON LENGTHS</p> <p>0.5 - 6 ± 0.1mm 6 - 30 ± 0.2mm 30 - 120 ± 0.3mm 120 - 400 ± 0.5mm 400 - 1000 ± 0.8mm 1000 - 2000 ± 1.2mm 2000 - 4000 ± 2.0mm</p>	<p>ALBERT JAGGER LTD GREEN LANE WALSALL PHONE: 01922 471000 WEST MIDLANDS FAX: 01922 648021 WS2 8HG</p> <p>THIS DRAWING &amp; THE DESIGN SHOWN ARE THE PROPERTY OF ALBERT JAGGER LTD AND MUST NOT BE USED OR COPIED BY A THIRD PARTY WITHOUT PERMISSION</p>	<p>DRAWN BY U.F</p> <p>CHECKED BY A.P</p>	<p>SCALE 1 : 1</p> <p>MATERIAL DROP FORGED S/STEEL 316</p> <p>MASS 0.193 kg</p> <p>FINISH ELECTRO-POLISHED</p>	<p>Date 12/12/2017</p> <p>ALL DIMS IN MM UNLESS STATED DO NOT SCALE</p>	<p>A3</p>
<p>albert <b>Jagger</b></p>			<p>H/DUTY LARGE S/STEEL LATCH 504C</p>		<p>9100-53130</p>
			<p>Edition 1</p>	<p>Sheet 1 / 1</p>	

A

6 5 4 3 2 1