

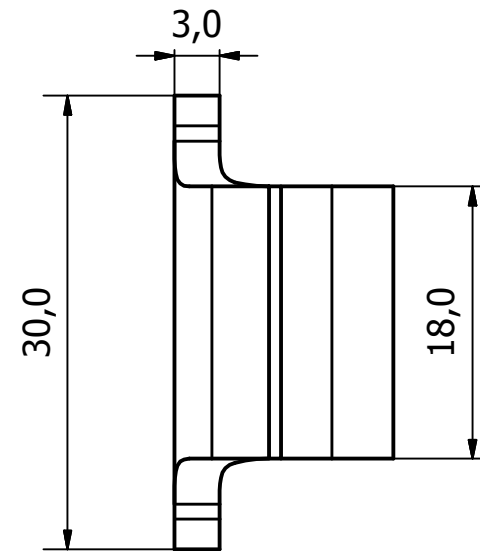
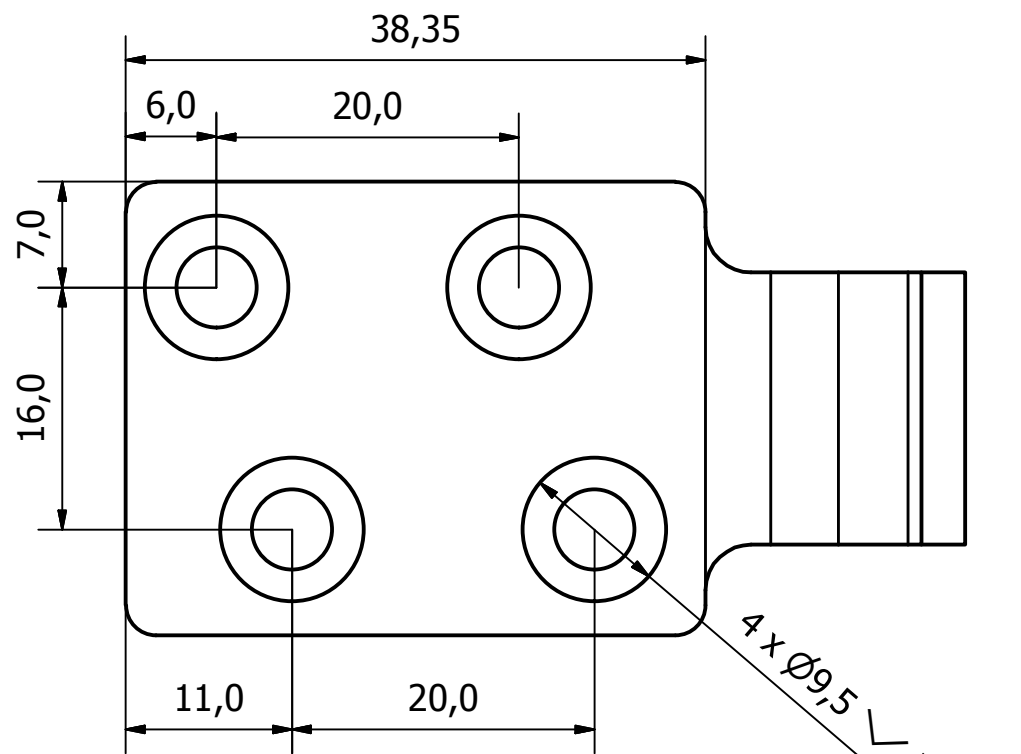
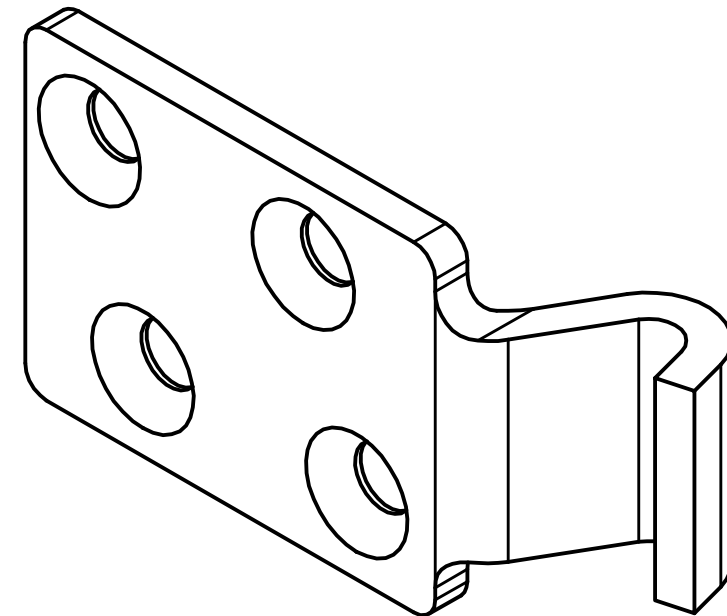
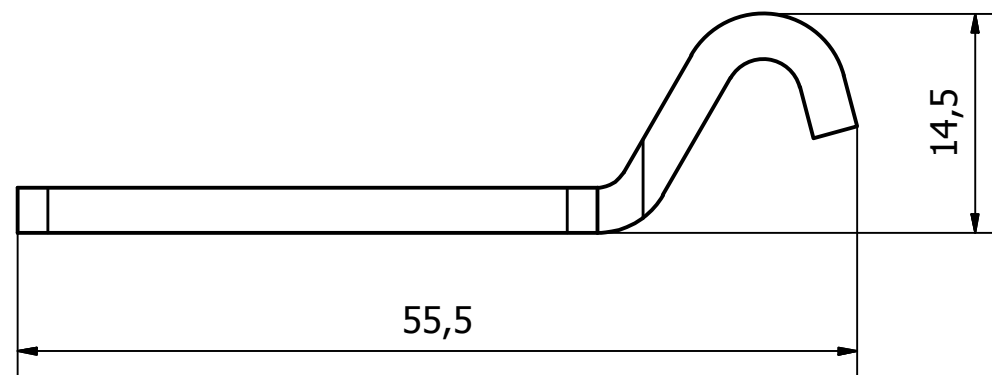
6 1 5 1 4 3 1 2 1 1

D D

C C

B B

A A



NOTE:

FOR USE WITH:

9100/54170 - 702SC SERIES MEDIUM NON LOCKING OVERCENTRE FASTENER  
 9100/54200 - 702LC SERIES MEDIUM LOCKING OVERCENTRE FASTENER

GENERAL TOLERANCES ON LENGTHS
0.5 - 6 ± 0.1mm
6 - 30 ± 0.2mm
30 - 120 ± 0.3mm
120 - 400 ± 0.5mm
400 - 1000 ± 0.8mm
1000 - 2000 ± 1.2mm
2000 - 4000 ± 2.0mm

ALBERT JAGGER LTD  
 GREEN LANE  
 WALSALL WEST MIDLANDS WS2 8HG  
 PHONE: 01922 471000  
 FAX: 01922 648021

THIS DRAWING & THE DESIGN SHOWN ARE THE PROPERTY OF ALBERT JAGGER LTD AND MUST NOT BE USED OR COPIED BY A THIRD PARTY WITHOUT PERMISSION

DRAWN BY  
 U.F

CHECKED BY  
 A.P



SCALE  
 2 : 1

MATERIAL  
 S/STEEL

MASS  
 0.035 kg

FINISH  
 ELECTRO-POLISHED

Date  
 19/02/2018

ALL DIMS IN MM UNLESS STATED DO NOT SCALE

A3

1	VALIDATION COMPLETE	15/03/18	A.P
REV	DESCRIPTION	DATE	APPROVED

		S/STEEL 10C SERIES MEDIUM STRIKER PLATE	
		9100-54403	Edition 1 Sheet 1 / 1

6 1 5 1 4 3 1 2 1 1