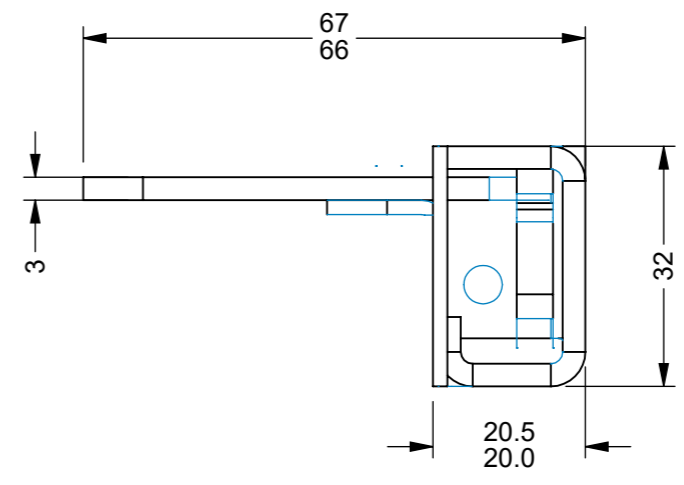
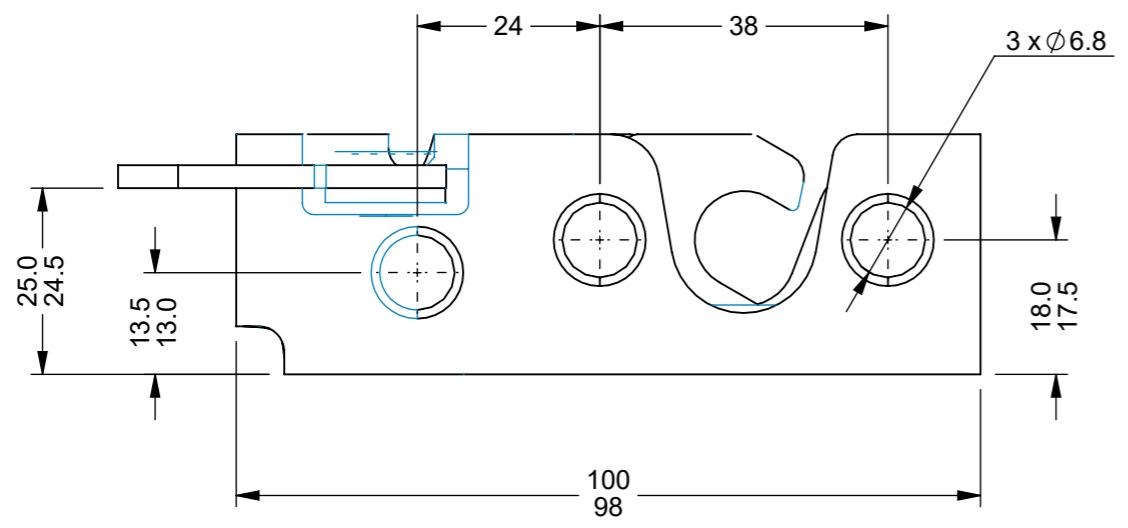
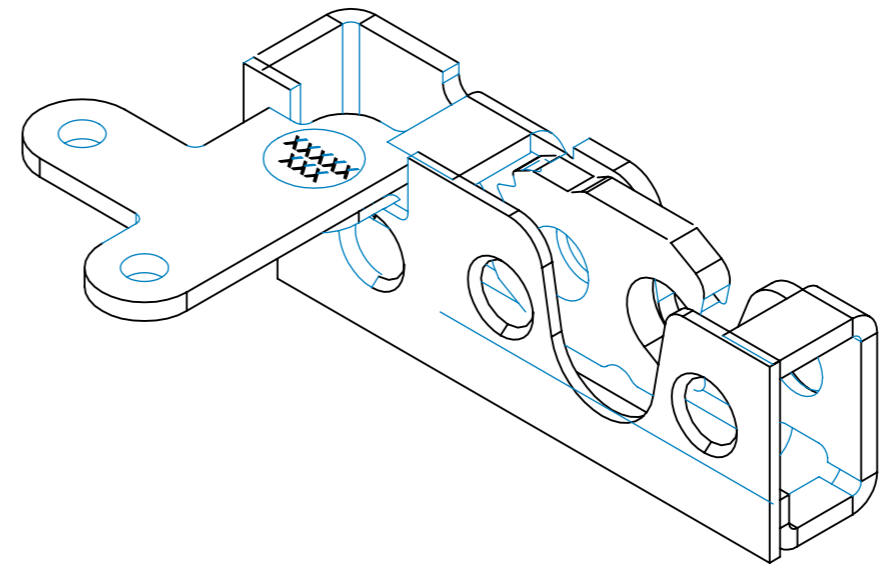
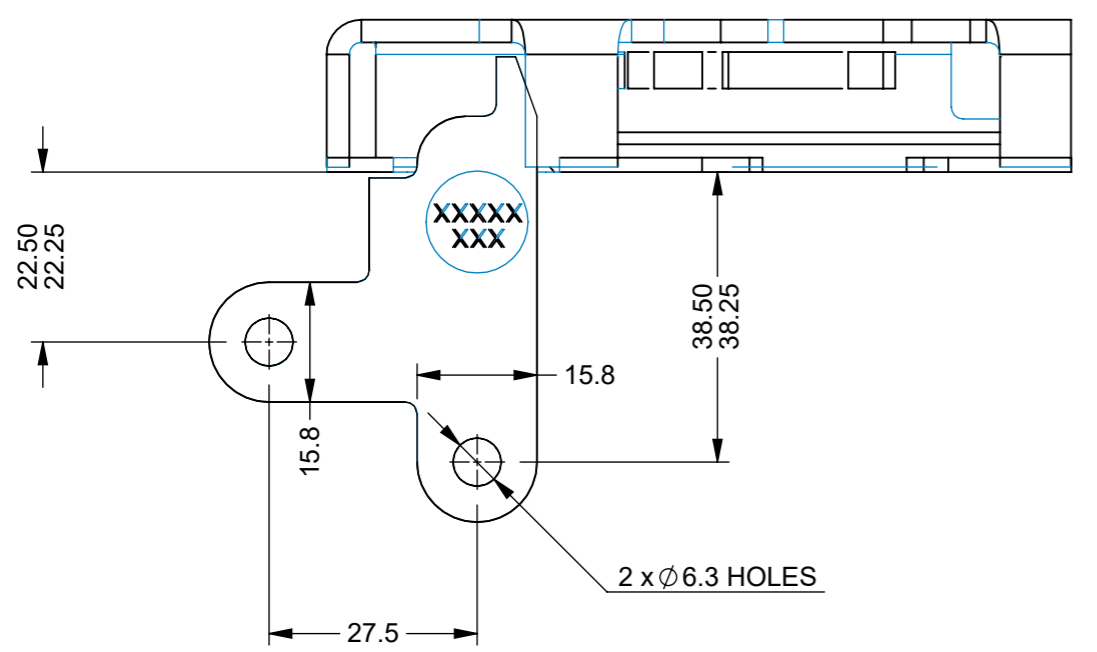


IF IN DOUBT ASK

IF IN DOUBT ASK



	1	VALIDATION COMPLETE	14/09/2023	A.P
ZONE	REV.	DESCRIPTION	DATE	APPROVED

REVISIONS

UNLESS OTHERWISE STATED, ALL DIMENSIONS IN mm	
TOLERANCES	
0.5 - 6	= ±0.1mm
6 - 30	= ±0.2 mm
30 - 120	= ±0.3 mm
120 - 400	= ±0.5 mm
400 - 1000	= ±0.8 mm
1000 - 2000	= ±1.2 mm
2000 - 4000	= ±2.0 mm
SURFACE FINISH	1.6µm Ra
FILLET RADII	0.5 TO 1.0
SQUARENESS	0.05 IN 25
PARALLELISM	0.05 IN 25
RUNOUT	0.1
ANGLES	±0.5°

MATERIAL: M/STEEL	DRAWN BY: UF	DESCRIPTION: L.H. SLIMLINE ROTOR LATCH-2 POINT LEVER			A3
MASS:	CHECKED BY: A.P	NUMBER: 9500-11664-16	REVISION: 1	SHEET: 1 of 1	
FINISH: ZINC AND CLEAR PASSIVATED	APPROVED BY: A.P	ORIGINATION DATE: 14/09/2023	SCALE : PROPORTIONAL - DO NOT SCALE REF SCALE 1:1 WHEN PRINTED ON A3		

PROPRIETARY RIGHTS ARE INCLUDED IN THE INFORMATION DISCLOSED HEREIN. NEITHER THIS DOCUMENT NOR ANY INFORMATION DISCLOSED SHALL BE REPRODUCED, USED, TRANSFERRED TO OTHER DOCUMENTS, OR DISCLOSED TO OTHERS FOR ANY PURPOSE INCLUDING MANUFACTURING UNLESS SPECIFICALLY AUTHORISED IN WRITING  
REMOVE ALL SHARP EDGES AND BURRS  
PART FINISHING AND MARKING TO CESF001

