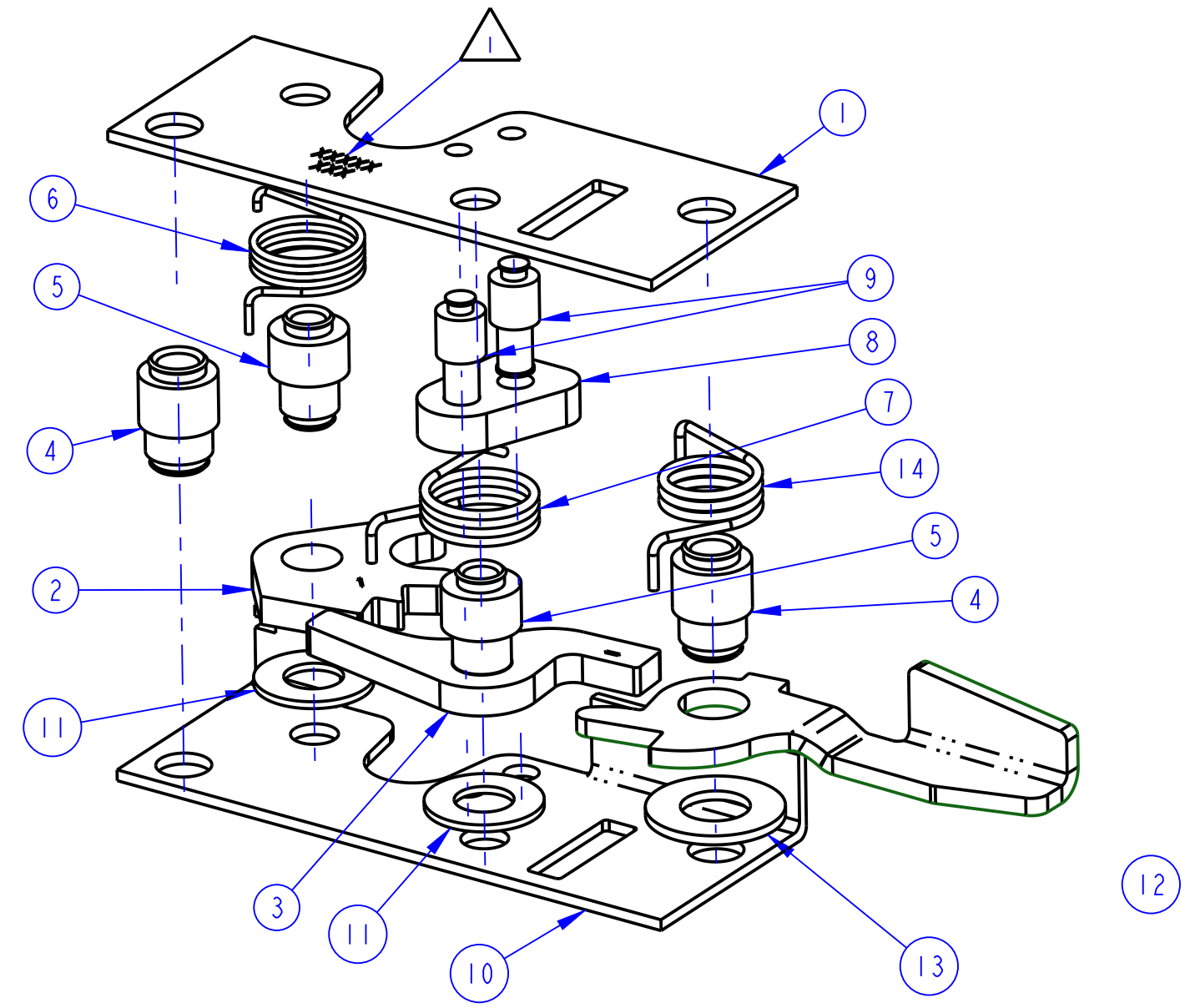
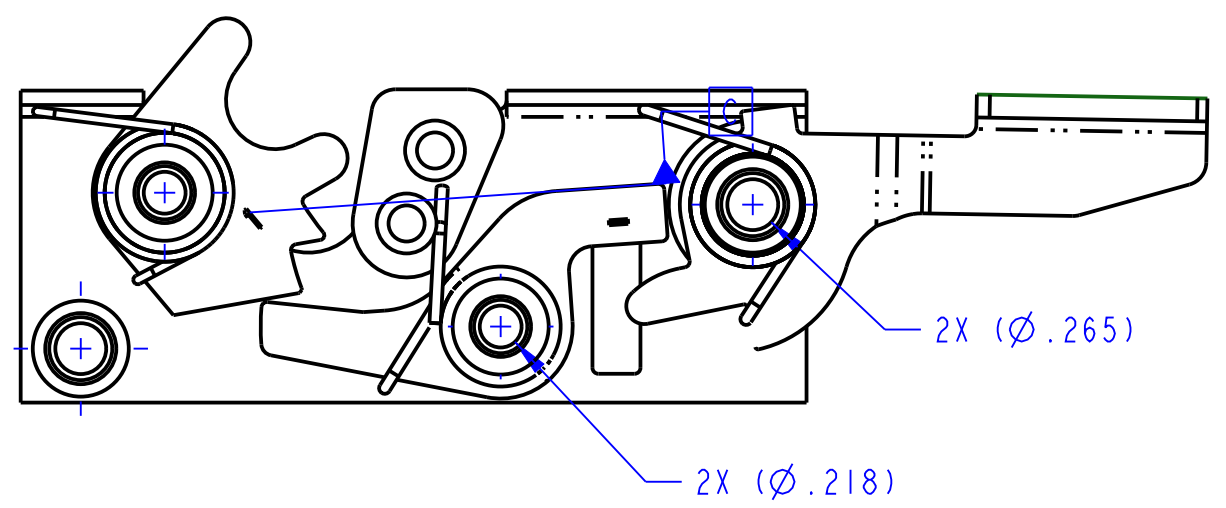


PART NUMBER DESCRIPTION	ITEM 1 PLATE (QTY)	ITEM 2 ROTOR (QTY)	ITEM 3 CATCH (QTY)	ITEM 4 AXLE (QTY)	ITEM 5 AXLE (QTY)	ITEM 6 SPRING (QTY)	ITEM 7 SPRING (QTY)	ITEM 8 STRIKE (QTY)	ITEM 9 RIVET (QTY)	ITEM 10 PLATE (QTY)	ITEM 11 WASHER (QTY)	ITEM 12 TRIP (QTY)	ITEM 13 WASHER (QTY)	ITEM 14 SPRING (QTY)	⑤ PART MARKING
12225-16 050-0300,RH,2 POSN,.265,FGRRLSE	11389-16 (1)	80592-26 (1)	80593-26 (1)	80627-16 (2)	80981-16 (2)	81035-57 (1)	81036-57 (1)	80581-16 (1)	80584-16 (2)	11391-16 (1)	80980-16 (2)	81377-16 (1)	81216-15 (1)	81374-00 (1)	12225

REVISION	ECN	ECN BY	DESCRIPTION
4	19419	MLH 11/19/02	REDRAWN TO NEW STANDARD
5	12523	GDE 06/24/09	ADDED: PART MARKING COLUMN. REMOVED: FINISH. UPDATED: DESCRIPTION,FORMAT.



NOTES:UNLESS OTHERWISE SPECIFIED;

- ① IDENTIFY ASSEMBLY WITH PART NUMBER AND DATE CODE APPROXIMATELY AS SHOWN, OR IN OTHER APPROVED LOCATIONS AS OUTLINED IN ES-121.
- 2. ROTOR TO FULLY ENGAGE THE CATCH IN THE PRIMARY AND SECONDARY POSITIONS WHEN CLOSED WITH A Ø.503 GAUGE PIN.

<p>● INDICATES REQUIRED ASSEMBLY INFORMATION. UOS: THE -00 VERSION SHALL BE THE UNFINISHED VERSION OF PART SHOWN. UOS: ALL DIMENSIONS APPLY BEFORE COATING. (ASME Y14.5M, sec. 2.4.1)</p>		<p>TriMark 500 Bailey Avenue P. O. Box 350 New Hampton, Iowa 50659 U.S.A. Tel: 641-394-3188 Fax: 641-394-2392</p>									
<p>TOLERANCES UNLESS OTHERWISE SPECIFIED (UOS) ASME Y14.5M-1994</p> <table border="0"> <tr> <td>INCH</td> <td>MILLIMETER</td> </tr> <tr> <td>X.X = ±.1</td> <td>X = ±.3</td> </tr> <tr> <td>X.XX = ±.03</td> <td>X.X = ±.8</td> </tr> <tr> <td>X.XXX = ±.010</td> <td>X.XX = ±.25</td> </tr> </table> <p>ANGLES X° = ±3° X.X° = ±1.0° X.XX° = ±.50°</p>		INCH	MILLIMETER	X.X = ±.1	X = ±.3	X.XX = ±.03	X.X = ±.8	X.XXX = ±.010	X.XX = ±.25	<p>DRAWN BY: SLM 07/08/91</p> <p>CHECKED BY: DRM 02/03/92</p>	<p>PROJECT: 050-0300-1</p> <p>PRODUCT CODE: E24 (050-0300)</p>
INCH	MILLIMETER										
X.X = ±.1	X = ±.3										
X.XX = ±.03	X.X = ±.8										
X.XXX = ±.010	X.XX = ±.25										
<p>DO NOT SCALE DRAWING</p>		<p>CUSTOMER PART NUMBER: -</p>									
<p>REF. T/M OP 4.20-2 FOR SUP. QUALITY REQ. REF. T/M OP 4.20-3 FOR INT. QUALITY REQ.</p>		<p>PART WEIGHT: (0.61 LB)</p>	<p>SURFACE AREA</p>								
		<p>SIZE: C</p>	<p>SCALE: 1.0</p>								
		<p>PART NUMBER: 12225-XX</p>									

This drawing and the information contained herein is the property of TriMark Corporation and shall not be used for any purpose without our written consent.