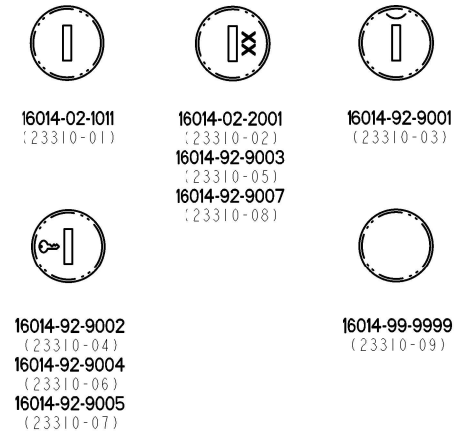
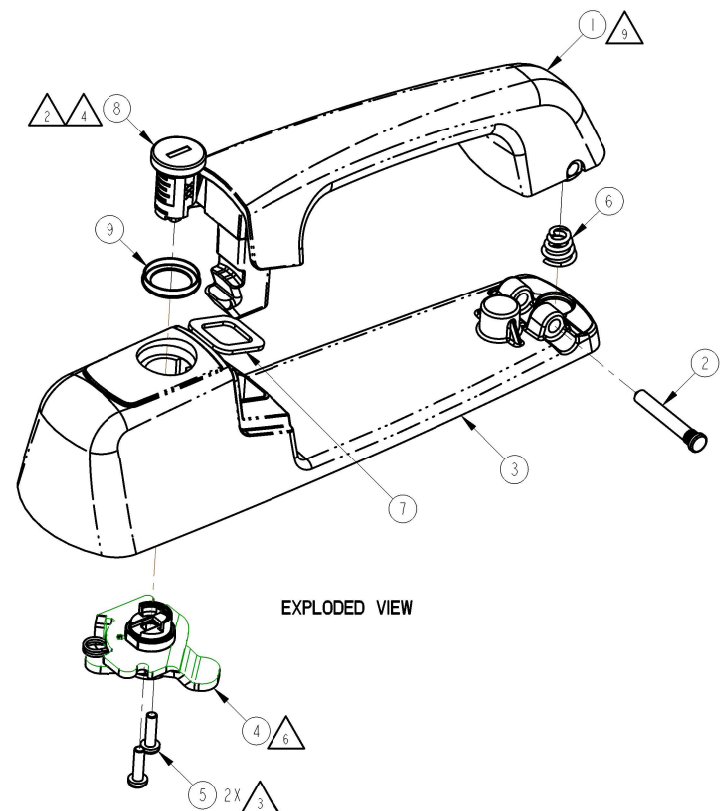
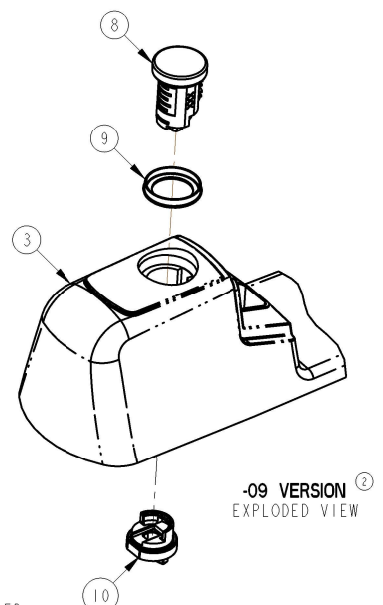


PART NUMBER DESCRIPTION	ITEM 1 HANDLE (QTY)	ITEM 2 PIN (QTY)	ITEM 3 BASE (QTY)	ITEM 4 LOCK CAM ASSY (QTY)	ITEM 5 SCREW (QTY)	ITEM 6 SPRING (QTY)	ITEM 7 GASKET (QTY)	ITEM 8 LOCKCYLINDER (QTY)	ITEM 9 SEAL (QTY)	ITEM 10 ACTUATOR (QTY)	KEYS SUPPLIED YES/NO (QTY)
23310-01 020-0850, ASSEMBLY, HANDLE, PULL, KEYONE PLUS, 1011								16014-02-1011 (1)			
23310-02 020-0850, ASSEMBLY, HANDLE, PULL, KEYONE PLUS, 2001								31684-01 (1)			
23310-03 020-0850, ASSEMBLY, HANDLE, PULL, KEYONE PLUS, 5P8500								16014-92-9001 (1)			
23310-04 020-0850, ASSEMBLY, HANDLE, PULL, KEYONE PLUS, CH751								16014-92-9002 (1)			
23310-05 020-0850, ASSEMBLY, HANDLE, PULL, KEYONE PLUS, 610	23227-01 (1)	20319-01 (1)	22321-01 (1)	24519-01 (1)	81789-15 (2)		20373-01 (1)	16014-92-9003 (1)	16025-01 (1)	N/A	NO
23310-06 020-0850, ASSEMBLY, HANDLE, PULL, KEYONE PLUS, D250								16014-92-9004 (1)			
23310-07 020-0850, ASSEMBLY, HANDLE, PULL, KEYONE PLUS, AR51481								16014-92-9005 (1)			
23310-08 020-0850, ASSEMBLY, HANDLE, PULL, KEYONE PLUS, 14603								16014-92-9007 (1)			
23310-09 020-0850, ASSEMBLY, HANDLE, PULL, NLKG				N/A	N/A			16014-99-9999 (1)		22059-01 (1)	N/A
23310-10 020-0850, ASSEMBLY, HANDLE, PULL, KEYONE PLUS, 14603				24519-01 (1)	81789-15 (2)		32034-01 (1)	16014-92-9007 (1)		N/A	NO

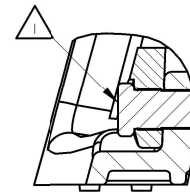
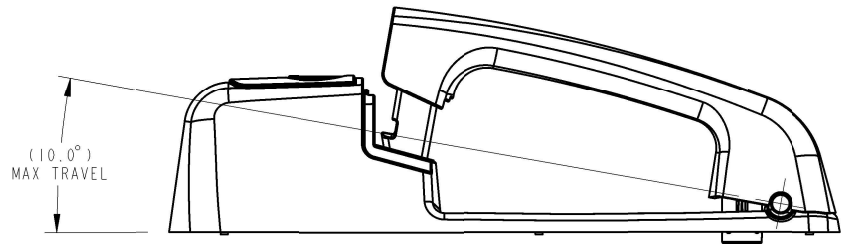
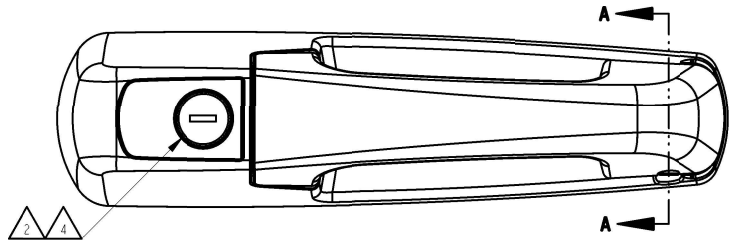
REVISION	ECN	ECN BY	DESCRIPTION
M	PRE-RLSE	JMH 10/27/09	DELETED 23141-01, 23142-01, 23168-01, 23143-01, 80588-01 AND 23910-01; ADDED 24519-01; REVISED NOTES 6, 7; DELETED NOTE 9; RENUMBERED NOTES; ADDED NOTE 11; DELETED (118.8); ADDED (118)
1	RLSE	JMH 3/27/10	RELEASED FOR PRODUCTION
2	37730	RLO 2-3-12	ADDED -09 EXPLODED VIEW AND ITEM 10 (ACTUATOR). -09 VERSION (ITEM 4); N/A WAS 24519-01. -02 VERSION (ITEM 8); 31684-01 WAS 16014-02-2001.BOM; FLAG-NOTE 9 WAS FLAGNOTE 10.
3	38022	LPS 09/12/12	ADDED VERSION 10



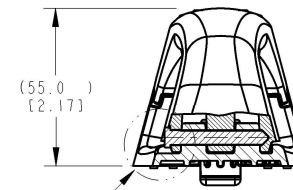
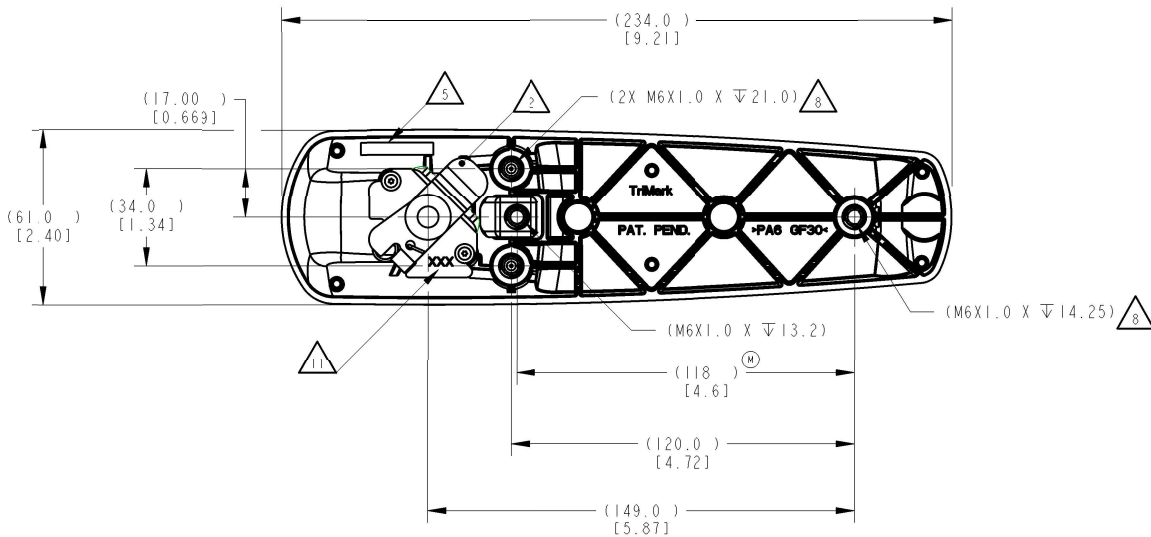
LOCKCYLINDER (ITEM 8) CONFIGURATIONS
SCALE 1.00

- NOTES: UNLESS OTHERWISE SPECIFIED;
- 1 HEAD OF PIN (ITEM 2) TO BE INSTALLED AS SHOWN WITH HEAD OF PIN FULLY SEATED AGAINST MATING PART.
 - 2 ASSEMBLY SHOWN AND SHIPPED IN UNLOCKED POSITION
 - 3 SCREW (ITEM 5); TO BE TORQUED TO 1.6±.3 N·m [14.0±3 IN-LBS].
 - 4 LOCKCYLINDER (ITEM 8) ROTATES 45° IN A COUNTER-CLOCKWISE DIRECTION TO LOCK PULL HANDLE ASSEMBLY.
 - 5 PART NUMBER AND DATE CODE LABEL TO BE LOCATED ON ANY VISIBLE INSIDE SURFACE OF BASE (ITEM 3).
 - 6 LOCK CAM ASSEMBLY (ITEM 4) MUST BE ASSEMBLED IN ORIENTATION SHOWN.
 - 7 ZINC ACTUATOR MUST BE ASSEMBLED IN POSITION SHOWN.
 - ▲ 8 RECOMMENDED MOUNTING FASTENER TORQUE TO BE 5.6-6.7 Nm [50-59 lbf-in].
 - 9 HANDLE (ITEM 1) MUST HAVE SMOOTH GRAB SURFACE (NO MATERIAL SAVERS).
10. DIMENSIONS IN [] ARE IN INCHES.
- 11 DATE CODE SHOWN IS FOR LOCK CAM ASSEMBLY (ITEM 4).

● INDICATES REQUIRED ASSEMBLY INFORMATION. UDS: THE -00 VERSION SHALL BE THE UNFINISHED VERSION OF PART SHOWN. UDS: ALL DIMENSIONS APPLY BEFORE COATING. (ASME Y14.5M-1994, sec. 2.4.1)		TriMark 500 Bailey Avenue P. O. Box 350 New Hampton, Iowa 50659 U.S.A. Tel: 641-394-3188 Fax: 641-394-2392	
TOLERANCES UNLESS OTHERWISE SPECIFIED (UDS) ASME Y14.5M-1994 INCH MILLIMETER X .X ±.1 X ±.3 X .XX ±.03 X .X ±.8 X .XXX ±.010 X .XX ±.25		DRAWN BY JMH 10/19/06 CHECKED BY TJS 10/19/06 PROJECT 05078 PRODUCT CODE B11 (020-0850)	
ANGLE X ° ±.3° X ° ±1.0° X ° ±.50°		CUSTOMER PART NUMBER CUSTOMER DESCRIPTION SEE TABLE	
REF. T/M OF 4.20-2 FOR SUP. QUALITY REQ. REF. T/M OF 4.20-3 FOR INT. QUALITY REQ.		PART WEIGHT (257 g) SURFACE AREA SIZE C SCALE 0.75 PART NUMBER 23310	



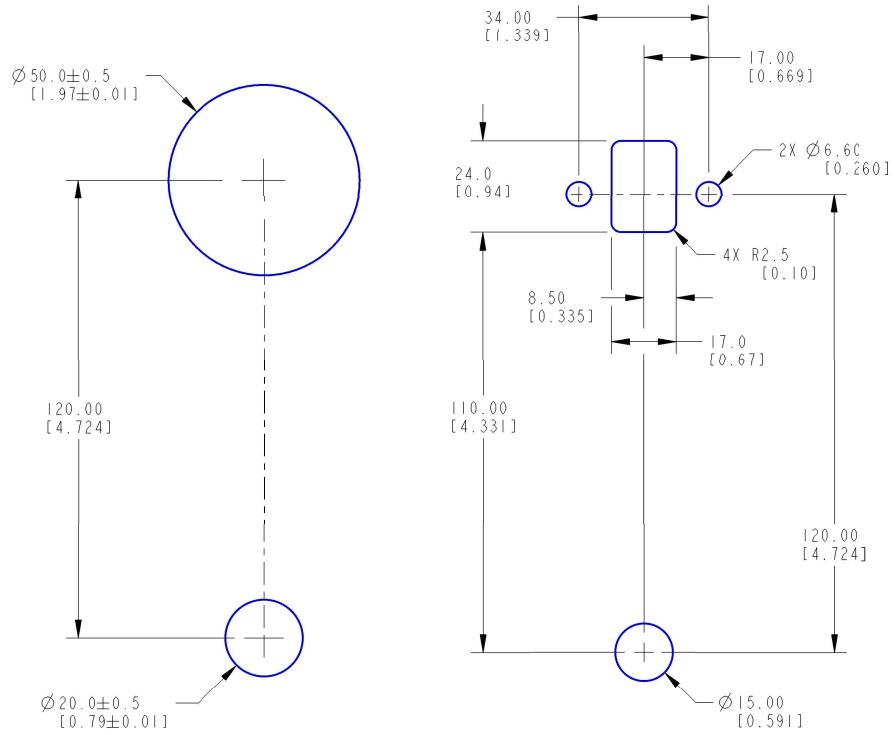
DETAIL B
SCALE 2.00



SEE DETAIL B
SECTION A-A

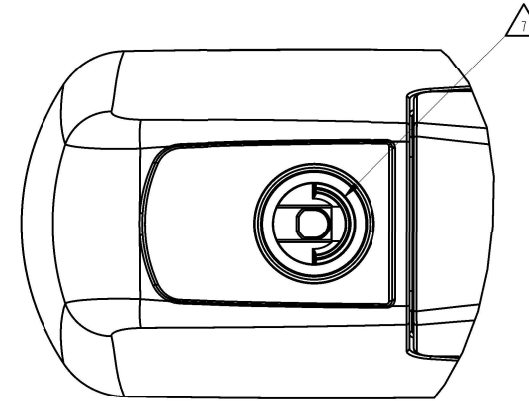
METRIC

② TriMark				
SHEET	SIZE	SCALE	PART NUMBER	REVISION
2/3	C	0.75	23310	2



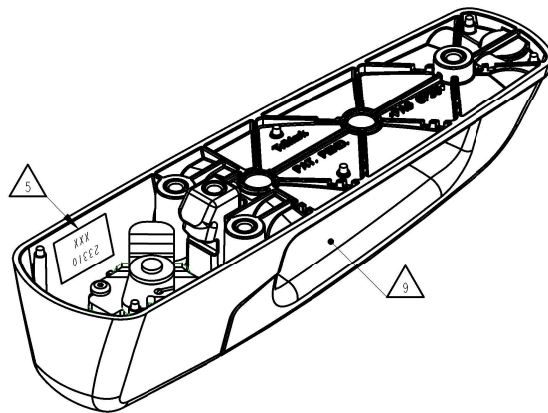
RECOMMENDED GLASS MOUNTING
DOOR CUTOUT DETAIL

RECOMMENDED STEEL MOUNTING
DOOR CUTOUT DETAIL



LOCKCYLINDER (ITEM 8)
NOT SHOWN

SCALE 1.50



BACK ISO VIEW

METRIC

SHEET	SIZE	SCALE	PART NUMBER	REVISION
3/3	C	0.75	23310	2